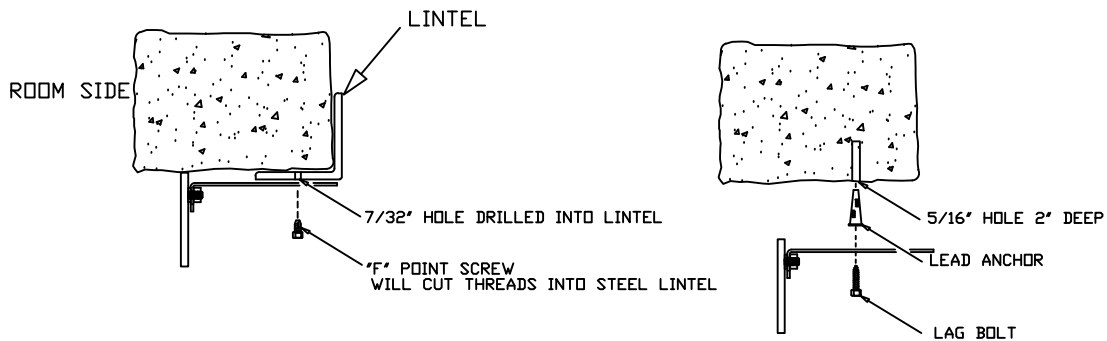


ATTACH MOUNTING STRAPS TO WELDED STUDS AS SHOWN
MOUNTING STRAP HEIGHT CAN BE ADJUSTED TO COVER LINTEL



TO MOUNT TOP COVERPLATE;

ATTACH MOUNTING STRAPS TO THE WELD STUDS WITH THE NUTS PROVIDED.
PLACE COVER PLATE IN PLACE AND MARK SLOT LOCATIONS IN THE MOUNTING STRAPS WITH A FELT TIPPED MARKER.

IF ATTACHING TO A STEEL LINTEL,

REMOVE COVER ANGLE AND USING A 7/32" DRILL,
DRILL HOLES IN THE CENTER OF THE MARKS.

USE THE "F" POINT SCREWS PROVIDED AND TIGHTEN COVERPLATE TO THE LINTEL

TO ATTACH COVERPLATE TO MASONRY,

DRILL HOLES IN MASONRY ON THE CENTER OF THE MARKED SLOT LOCATIONS
USING A 5/16" MASONRY DRILL. MAKE SURE HOLES ARE 2" DEEP.
INSTALL LEAD ANCHOR AND TAP THEM IN WITH A HAMMER.

USE THE LAG BOLTS PROVIDED TO ATTACH COVERPLATE TO TOP OF OPENING.

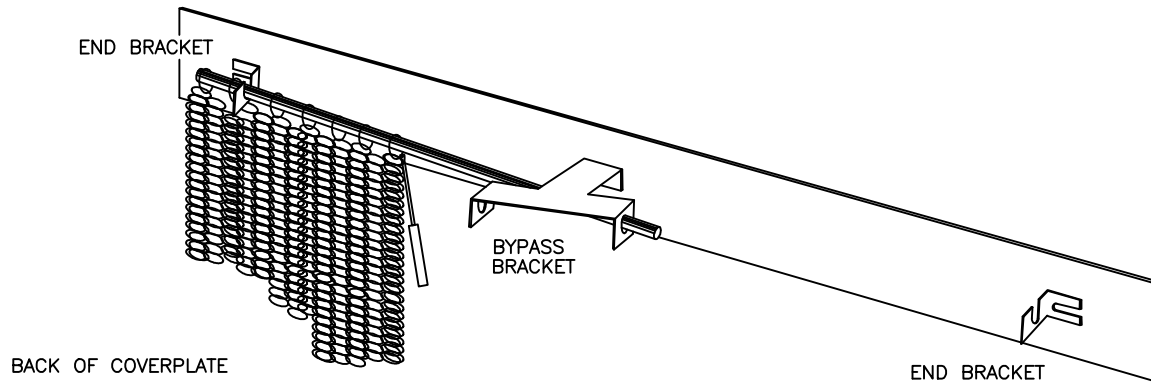
TO ATTACH FENDER,

ATTACH MOUNTING STRAPS TO THE WELD STUDS WITH THE NUTS PROVIDED.
PLACE FENDER IN PLACE AND MARK SLOT LOCATIONS IN THE MOUNTING STRAPS WITH A FELT TIPPED MARKER.

USING A 5/16" MASONRY DRILL. MAKE SURE HOLES ARE 2" DEEP.
INSTALL LEAD ANCHOR AND TAP THEM IN WITH A HAMMER.

USE THE LAG BOLTS PROVIDED TO ATTACH FENDER TO BOTTOM OF OPENING.

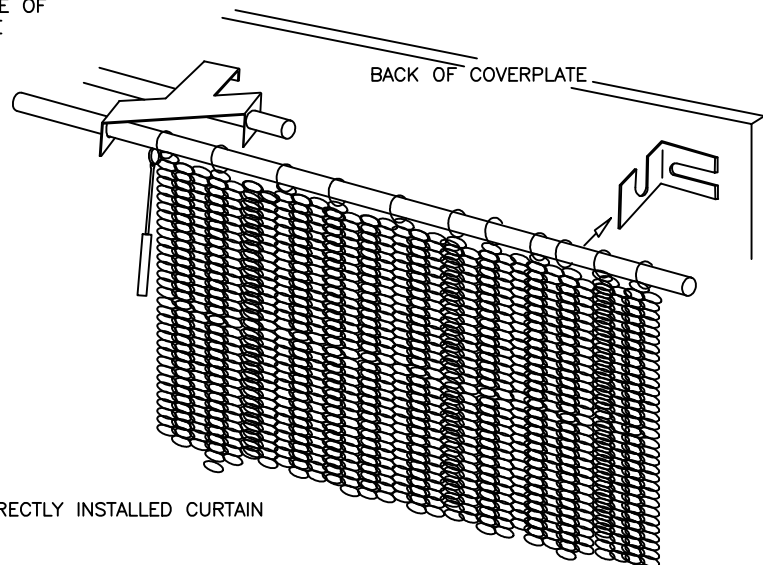
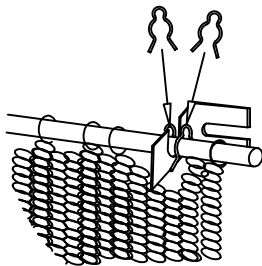
TO INSTALL CURTAINS ON THE VALANCE



NOTE: CURTAINS ARE INSTALLED AFTER THE COVERPLATE IS SECURED TO THE OPENING.

1. INSERT RIGHT ROD INTO THE LEFT SIDE OF THE BYPASS BRACKET AS SEEN FROM THE FRONT.
2. STARTING WITH THE PULL HANDLE ON THE CURTAIN, SLIDE RINGS ONTO ROD.
3. LIFT ROD UP AND PLACE RIGHT END OF ROD INTO END BRACKET KEEPING THE LAST OR SECOND LAST CURTAIN RING TO THE OUTSIDE OF THE BRACKET.
4. SLIDE THE ROD OUTWARD UNTIL IT CONTACTS THE SIDES OF THE FIREPLACE.
5. USE THE ROD RETAINERS TO KEEP THE ROD FROM SLIDING IN THE HOLDERS. PLACE ONE ON EACH SIDE OF THE END BRACKETS AS SHOWN
6. REPEAT THIS PROCEDURE FOR THE RIGHT SIDE ROD.
INSTALLED CORRECTLY, THEY WILL OVERLAP AT THE CENTER WHILE CLOSED.

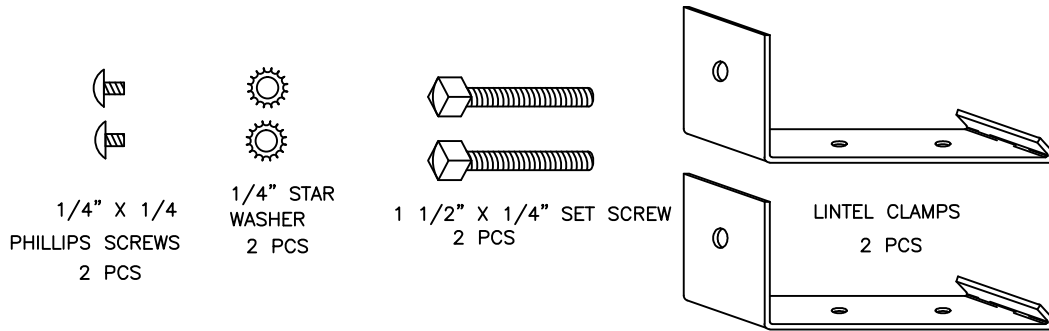
PLACE RETAINERS OVER ROD ON EACH SIDE OF THE END BRACKET TO KEEP ROD IN PLACE



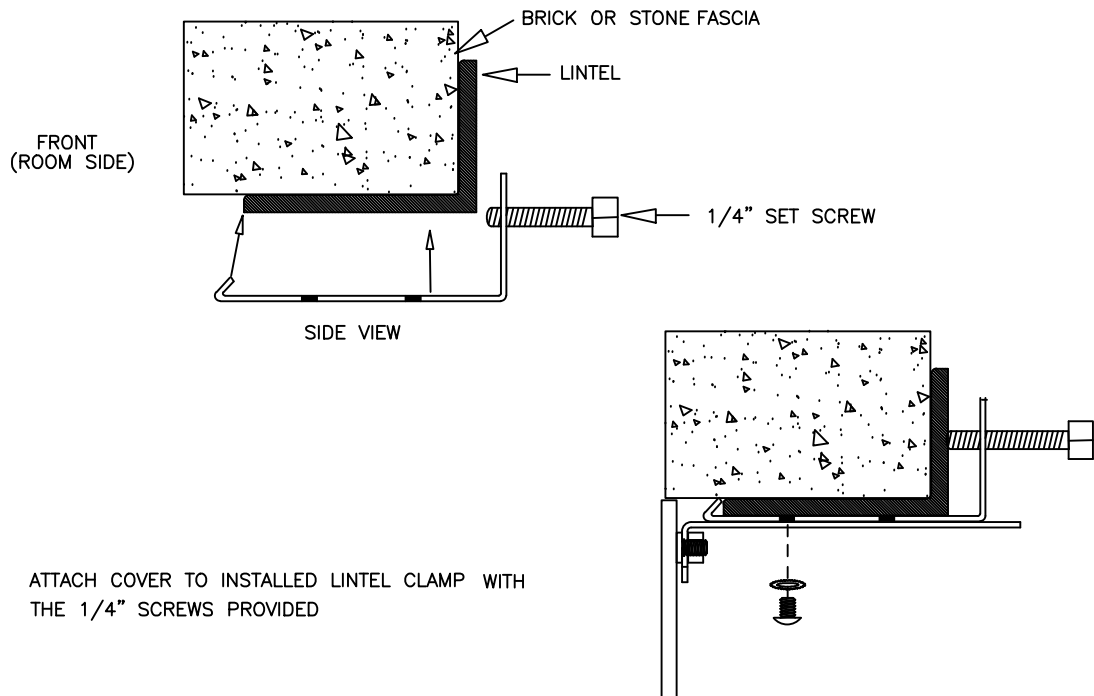
CORRECTLY INSTALLED CURTAIN

LINTEL CLAMP KIT

LINTEL CLAMPS PROVIDE AN ATTACHMENT POINT FOR THE MOUNTING STRAPS AT THE TOP OF THE OPENING.



PLACE COVER PLATE IN PLACE AND MARK SLOT LOCATIONS IN THE MOUNTING STRAPS WITH A FELT TIPPED MARKER.
CENTER THE LINTEL CLAMPS IN THE MARKS.
THE FRONT OF THE CLAMP FITS OVER THE FRONT OF THE LINTEL.
THE LINTEL CLAMP IS HELD IN PLACE WITH THE LONG SET SCREWS PROVIDED.



ATTACH COVER TO INSTALLED LINTEL CLAMP WITH THE 1/4" SCREWS PROVIDED