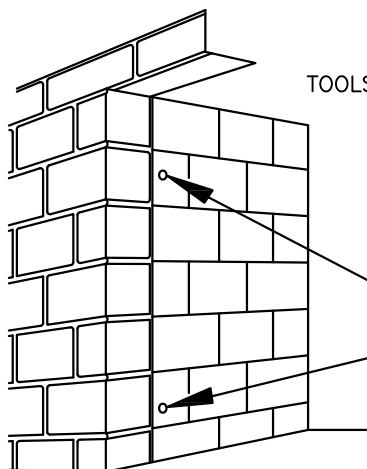
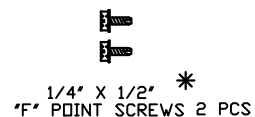
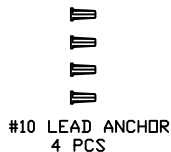
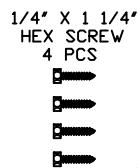
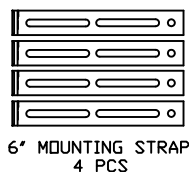


DESIGN SPECIALTIES

MOUNTING INSTRUCTIONS FOR DESIGN SPECIALTIES HEARTH & HOME SERIES FIREPLACE DOORS

THESE FIREPLACE DOORS HAVE BEEN FULLY ASSEMBLED AND ADJUSTED PRIOR TO PACKAGING.

STANDARD HARDWARE



TOOLS REQUIRED:

5/16" MASONRY DRILL
9/32" ALLEN WRENCH
PHILLIPS SCREWDRIVER
7/16" WRENCH

* 1/4" SCREWS AND STAR WASHERS
ARE PROVIDED FOR BOTTOM MOUNTING
ON FIREPLACE DOORS WITH DRAFT ASSEMBLIES.
SEE FIG. #3.

"F" POINT SCREWS (SELF TAPING) ARE PROVIDED
FOR ATTACHMENT TO THE LINTEL.
SEE FIG. #4.

USING 5/16" MASONRY DRILL
PRE DRILL MASONRY 2" TO 6" BACK FROM FIREPLACE FACE
3" TO 6" DOWN FROM LINTEL AND UP FROM FLOOR
ON EACH SIDE OF FIREPLACE

FIG # 1

1. USING 5/16" MASONRY DRILL
PRE DRILL MASONRY 2" TO 6" BACK FROM FIREPLACE FACE
3" TO 6" DOWN FROM LINTEL AND UP FROM FLOOR
ON EACH SIDE OF FIREPLACE
2. INSERT LEAD ANCHOR INTO DRILLED HOLES
3. PRE-BENDING MOUNTING STRAP EASES INSTALLATION SEE FIG# 2
4. PLACE MOUNTING STRAPS, HEX SCREWS, AND WRENCH INSIDE OPENING WITHIN
EASY REACH.
5. REMOVE PACKAGING FROM FIREPLACE DOOR.
6. PLACE DOOR AGAINST OPENING
7. INSERT CUP END OF STRAP INTO "C" SLOT AND
BEND STRAP BACK AGAINST BRICK
8. INSTALL HEX SCREWS AND TIGHTEN USING A 7/16" WRENCH.
DO ONE SIDE COMPLETE THEN DO THE OTHER. THIS MAY AVOID "RACKING" THE DOOR
OUT OF ADJUSTMENT.

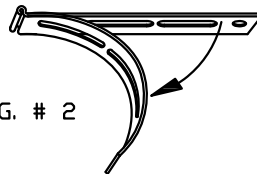
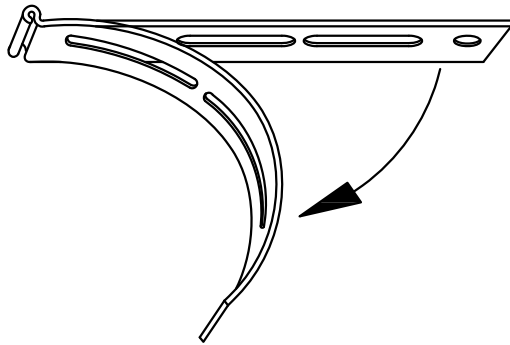


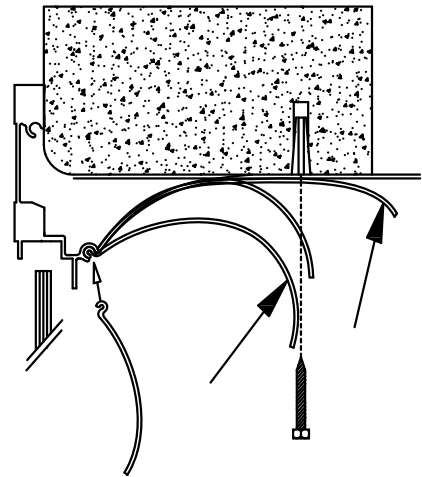
FIG. # 2

PRE-BENDING STRAP AS SHOWN EASES INSTALLATION

DESIGN SPECIALTIES

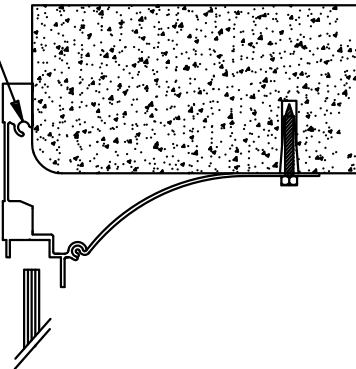


PRE-BENDING STRAP AS SHOWN EASES INSTALLATION



ADDITIONAL MOUNTING FEATURE
ON CLASSIC SERIES FOR USE WHEN
OVERLAP IS MINIMAL

FRONT OF FIREPLACE DOOR



FRONT OF FIREPLACE DOOR

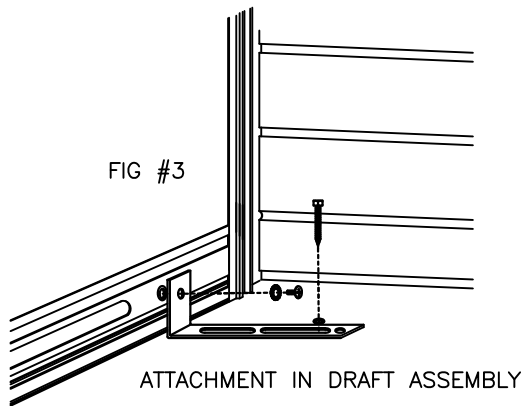
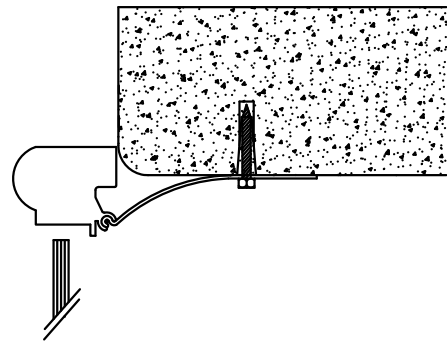


FIG #3

ATTACHMENT IN DRAFT ASSEMBLY

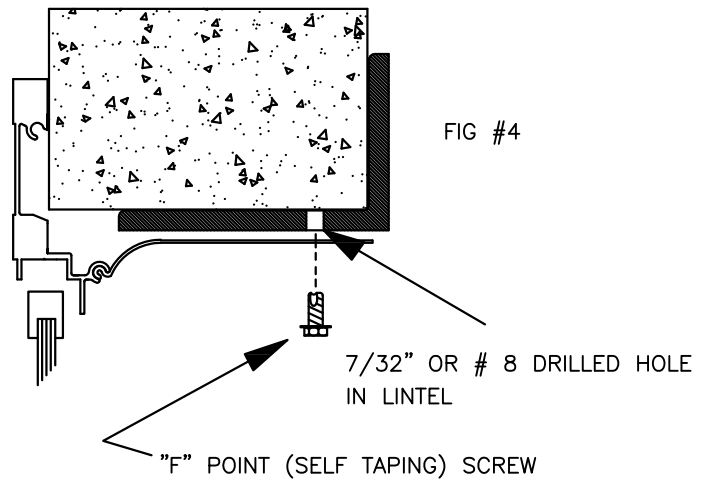


FIG #4

7/32" OR # 8 DRILLED HOLE
IN LINTEL

"F" POINT (SELF TAPING) SCREW

DOOR ADJUSTMENTS

OUR FIREPLACE DOORS ARE FULLY ASSEMBLED AND ADJUSTED PRIOR TO LEAVING THE FACTORY. HOWEVER, THE GLASS DOORS MAY HAVE SHIFTED DURING SHIPMENT, REQUIRING AN ADJUSTMENT TO GET THE GLASS DOORS TO HANG PROPERLY.

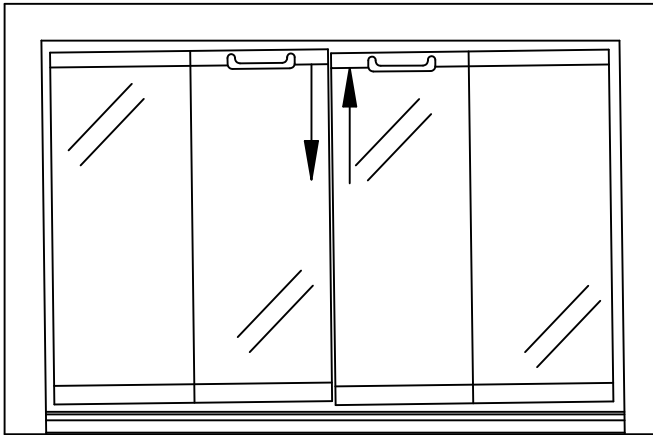


FIG #5

9. AFTER INSTALLING THE FIREPLACE DOOR, CHECK HOW DOORS OPERATE. CHECK THE GAPS AT THE CENTER AND BETWEEN THE GLASSDOORS AND THE FRAME. IF THE GAPS ARE THE SAME BUT THE TOPS ARE NOT IN ALIGNMENT, IT MAY BE NECESSARY TO MOVE THE BOTTOM FRAME OVER TO BRING THE TOPS OF THE GLASS DOORS INTO ALIGNMENT. LOOSEN THE MOUNTING STRAPS AND MOVE THE BOTTOM OVER SLIGHTLY UNTIL THE GLASS DOORS ARE IN ALIGNMENT. RETIGHTEN THE MOUNTING STRAP. SEE FIG. #5.

10. IF ONE DOOR STICKS OUT FROM THE OTHER ONE, YOU WILL NEED TO MOVE ONE OF THE CORNERS OF THE FRAME OUT SLIGHTLY. ON THE SIDE THAT THE GLASS DOORS ARE IN FROM THE OTHER DOOR, LOOSEN THE NEAREST MOUNTING STRAP AND PULL THE DOOR FORWARD UNTIL THE DOORS ARE IN ALIGNMENT. RETIGHTEN MOUNTING STRAP. SEE FIG #6.

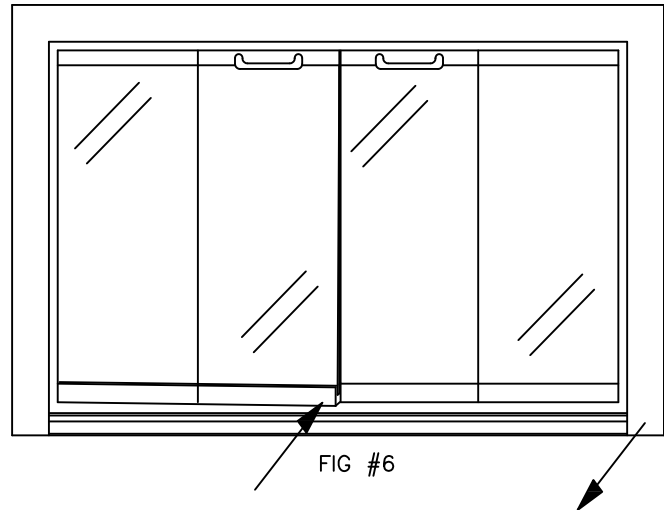


FIG #6

11. IF THE GAP BETWEEN THE GLASS AT THE CENTER IS DIFFERENT TOP TO BOTTOM, YOU WILL NEED TO ADJUST THE HINGES. THE GAP SHOULD BE APPROXIMATELY $1/16$ " BETWEEN THE GLASS DOORS AT THE CENTER ($1/8$ " FOR DOORS FOR FACTORY BUILT FIREPLACES). DETERMINE WHICH HINGE IS OUT OF ALIGNMENT. USING A PHILLIPS SCREWDRIVER, LOOSEN THE SCREW THAT HOLDS THE HINGE TO THE FRAME, AND SLIDE THE HINGE OVER SLIGHTLY AND RETIGHTEN. CHECK THE DOOR OPERATION, AND REPEAT THIS PROCEDURE IF NECESSARY. SEE FIG#7.

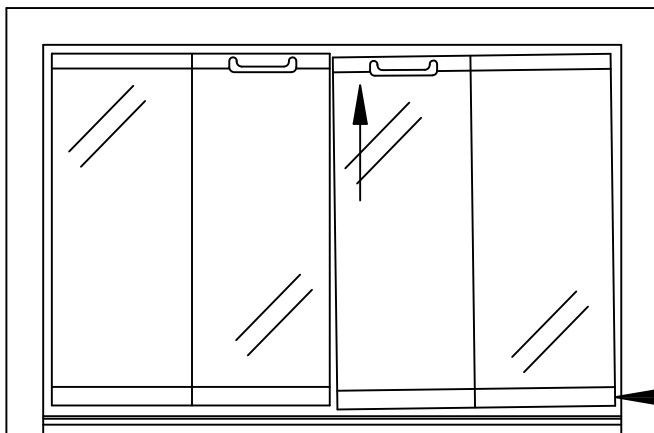
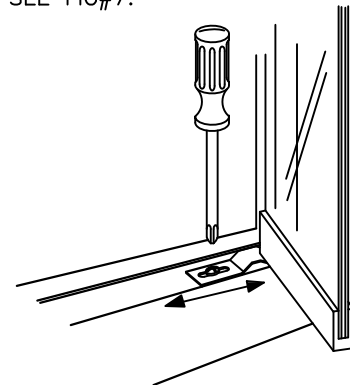


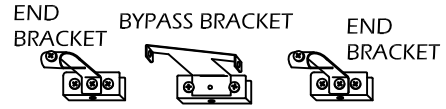
FIG #7



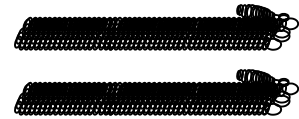
DESIGN SPECIALTIES

DESIGN SPECIALTIES MESH CURTAIN INSTALLATION EXPRESSION SERIES AND HEARTH & HOME SERIES FIREPLACE DOORS

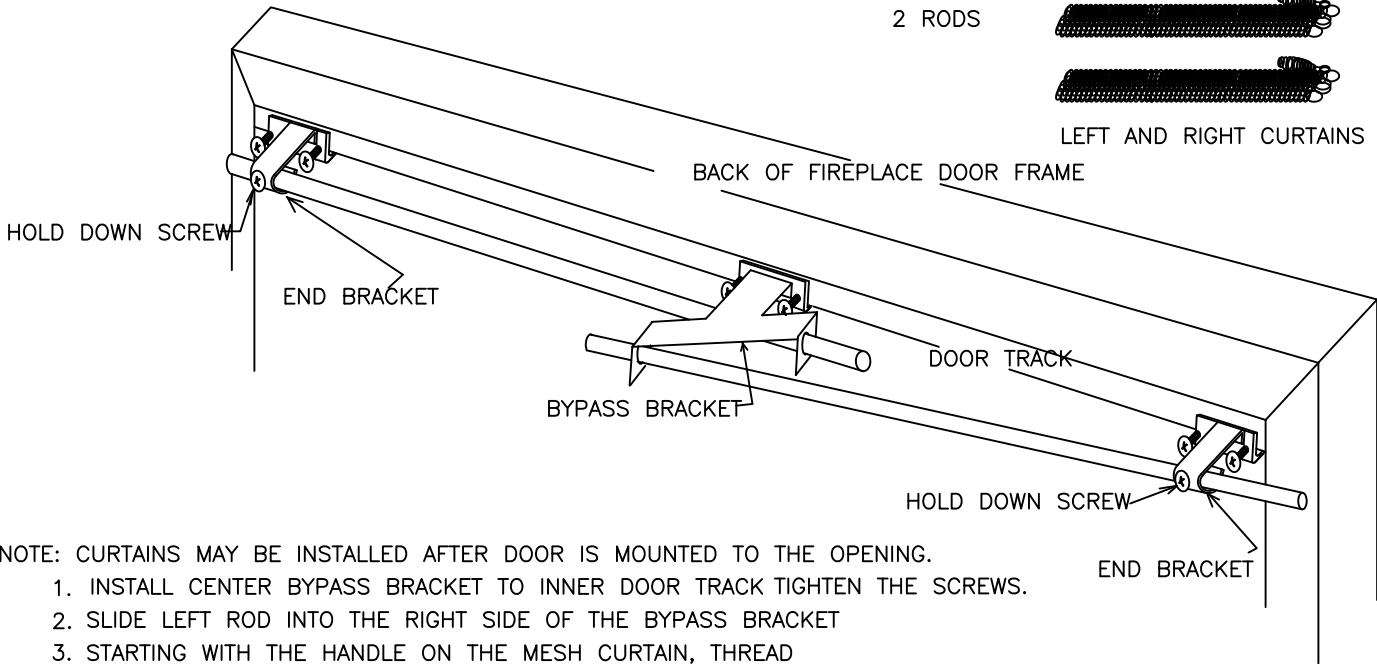
COMPLETE MESH CURTAIN KIT



2 RODS



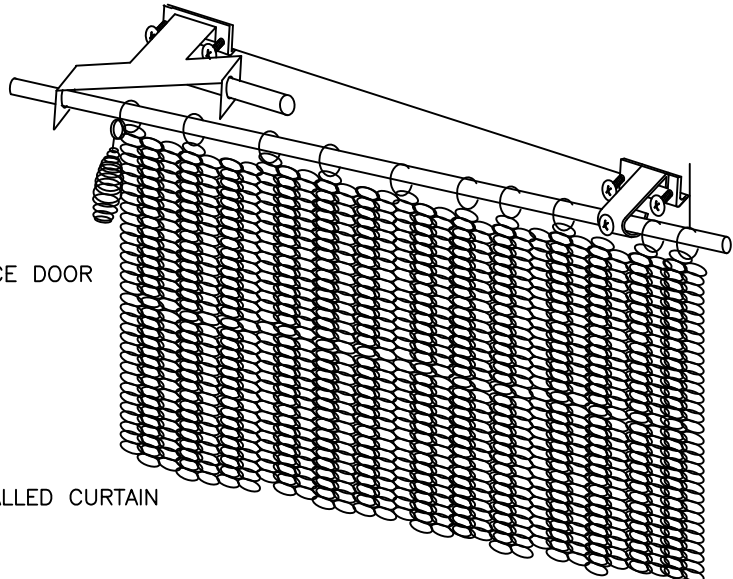
LEFT AND RIGHT CURTAINS



NOTE: CURTAINS MAY BE INSTALLED AFTER DOOR IS MOUNTED TO THE OPENING.

1. INSTALL CENTER BYPASS BRACKET TO INNER DOOR TRACK TIGHTEN THE SCREWS.
2. SLIDE LEFT ROD INTO THE RIGHT SIDE OF THE BYPASS BRACKET
3. STARTING WITH THE HANDLE ON THE MESH CURTAIN, THREAD THE RINGS ONTO THE ROD, LEAVING THE LAST TWO OFF.
4. SLIP THE END BRACKET ONTO ROD AND POSITION THE END BRACKET TO THE INNER DOOR TRACK AT THE OUTER END OF THE TRACK.TIGHTEN THE SCREWS.
5. SLIP THE REMAINING RINGS ONTO THE ROD ON THE OUTSIDE OF THE END BRACKET.
6. SLIDE THE ROD OUTWARD UNTIL IT CONTACTS THE INSIDE OF THE FIREPLACE OPENING.
7. TIGHTEN THE HOLD DOWN SCREW.
8. REPEAT THE PROCEDURE FOR THE OTHER SIDE.

BACK OF FIREPLACE DOOR



CORRECTLY INSTALLED CURTAIN