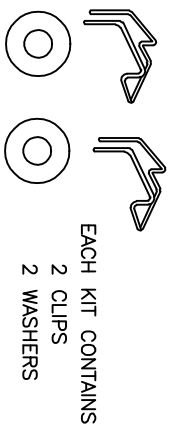
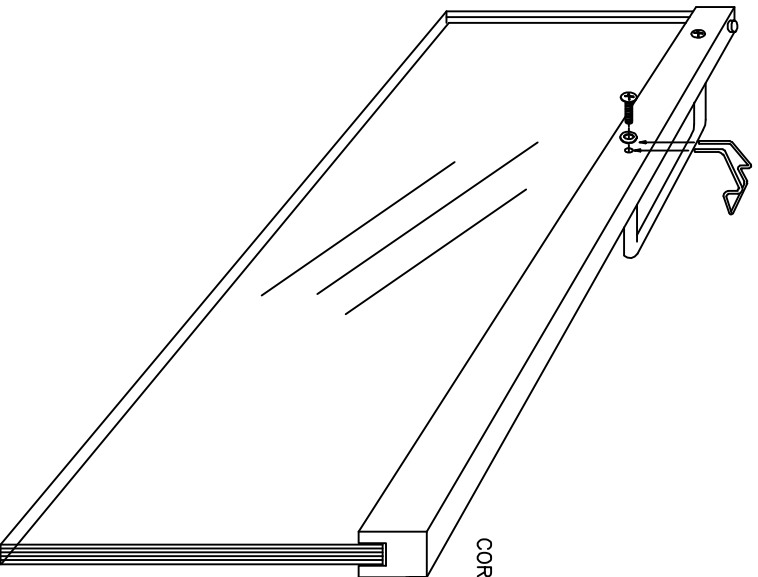


INSTALLATION INSTRUCTIONS FOR DESIGN SPECIALTIES CHILD RESISTANT FIREPLACE DOOR CLOSERS



INSTALL THE CHILD RESISTANT CLOSER CLIPS
BEHIND THE HANDLE SCREW AS SHOWN IN FIGURE #1.
THE CLIP SHOULD LIGHTLY SNAP IN PLACE
INSIDE THE TOP TRACK WHEN CLOSING THE DOOR.
TO RELEASE DOOR, PUSH CLIP DOWN WHILE
OPENING THE DOOR, SEE FIGURE #2.

FIG. #1



CORRECTLY INSTALLED CLIP

