

Safety and Operations Guide

PLEASE READ the following instructions BEFORE using your Genesis Series Fireplace Enclosure.

1. NEVER build extremely large fires. Build moderate fires only.
2. DO NOT put combustible materials on the hearth.
3. DO NOT use flammable liquids (gasoline, kerosene, charcoal lighter fluid, etc.) to start the fire. An explosion may result.
4. DO NOT allow excessive ashes or unburned materials to build up in the firebox.
5. DO NOT clean metal surfaces with ammonia-based cleaners, or with abrasive powders. Frequent cleaning of the door with a soft cloth and a good furniture polish will maintain a beautiful finish for many years.
6. DO NOT clean glass while it is hot or breakage may occur.
7. INSPECT the fireplace and the chimney twice monthly during the heating season for soot and creosote build-up.
8. CLEAN the chimney yearly. Brushes are recommended. Use chemical cleaners with caution.
9. ALWAYS maintain a minimum clearance of 8 inches between the firescreen and the fire.
10. ALWAYS keep the screen closed when using the fireplace.
11. BURN hardwoods only. Never use cardboard or plywood for burning purposes in the firebox.

Damper Operation

With your Genesis Series Fireplace Enclosure, you need not close your flue damper. You can simply close the damper on the glass door to effectively reduce the airflow into the firebox. This procedure is not only more convenient, but it also aids the fire burn-down, thus preventing the heat in your home from escaping up the chimney.

Experiment with different damper settings until you find the position which provides your desired optimal burning. Your optimal burning efficiency will also reduce or eliminate any smoke emission problems.

Your Genesis Series Fireplace Enclosure, as with any other type of door, is not recommended for use on only one side of a "See-Through" type fireplace (a fireplace with openings on opposite sides, with each side in a different room). A door placement on only one side of a double sided fireplace opening, as described above, could create unequal draft conditions, which may cause sufficient misdirection of flame to scorch your firescreen's finish, and darken or possibly break the glass panels. The Genesis Series Fireplace Enclosure is not warranted against damage when used on only one side of a "See-Through" fireplace.

When Genesis Series Fireplace Enclosures are installed on both sides, equalization of drafts are made possible with proper damper settings on each firescreen door.

Custom Firescreen Inc. Limited Warranty

General

Custom Firescreen, Inc.'s products are warranted to be free from any defects in materials and/or workmanship which occurs during normal use for a period of one year from the date of original purchase, except wherein specific items are stated otherwise. This warranty does not cover damage which occurs in shipment or failures or faults which result from accident, misuse, neglect, mishandling, misapplication, any alteration, or faulty installation by persons other than Custom Firescreen, Inc. designated employees.

Obligation of the owner

The owner should read and follow the listed instructions and the "Safety and Operation Guide." If it becomes necessary to return the product during the warranty period, the owner is advised to be guided by the Dealer from whom the purchase was made for assistance and instruction. Custom Firescreen, Inc. must be notified before any product is returned to the factory for warranty performance. Custom Firescreen, Inc. reserves the option of determination of cause, to repair, or replace the malfunctioning product.

Limits and Exclusions

There are no expressed or implied warranties except as listed above. Custom Firescreen, Inc. shall not be liable for incidental or consequential damage resulting from improper use of this product, or arising out of any breach of warranty including, without limitation, damage to firebox, chimney, and fireplace internal and external support structures. This warranty is extended only to the original purchaser. A purchase receipt or other proof of date of purchase will be required before warranty performance is rendered. This warranty gives you specific legal rights and you may have other rights which vary from state to state.

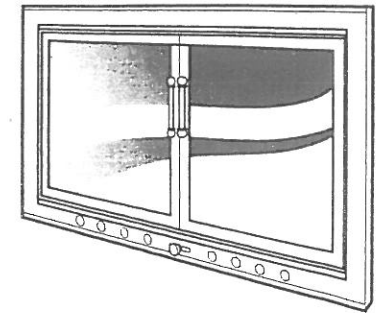
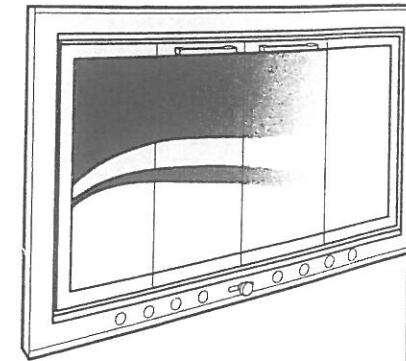
For your record

Date Purchased: _____

Purchased from: _____ Phone: _____



Custom Firescreen



Custom Genesis Series Fireplace Glass Enclosure Installation, Safety, and Operations Guide



CUSTOM FIRESCREEN, INC.
Des Moines, Iowa 50314



CUSTOM FIRESCREEN, INC.
Des Moines, Iowa 50314

CONGRATULATIONS! on your purchase of a Custom made Genesis Series Fireplace Enclosure. Your custom made Genesis Series product was manufactured by a team of special craftsmen. The trim sleek look created by our highly trained specialists, have set the standard for the industry. You will enjoy many years of satisfaction by having purchased the very best! We have included a safety and operations guide along with the installation instructions for your convenience. Read the instructions carefully before you begin or assign the installation of your door to a qualified installer.

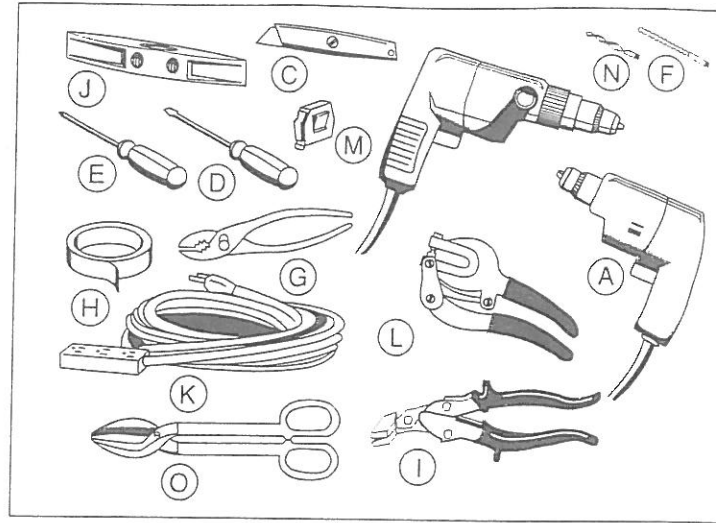
Be sure you have the correct Genesis Series door for this installation - Genesis Bifold, Twin, or Bifold Foldback enclosures

IMPORTANT! (BEFORE INSTALLATION)

Hydrochloric (muriatic) acid is often used by builders to clean excess mortar from newly built fireplaces. The fumes from this acid are highly caustic and will damage the finish from your fireplace equipment unless neutralized. To neutralize the effects of this acid, wash the masonry with baking soda, and rinse thoroughly with clean water before having the enclosure installed.

Check for cracks or bad mortar joints in the brick, stone, or metal fireboxes. Check also for gaps between the metal firebox and inside brick.

NOTE: All installation steps in this text apply to the three genesis doors - (Genesis Bifold, Twin, or Bifold Foldback enclosures) with exceptions as herein specifically indicated.

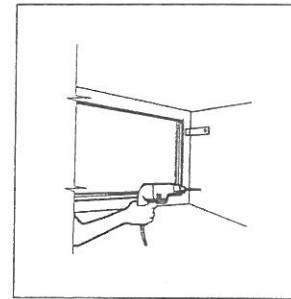


Step 2: Frame Check for a perfect fit and balance.

2A. (For inside fit of twin and foldback bifold.) Slide frame into the fireplace opening, placing the frame flush with the front of the face brick or inward no more than 1/4". For a regular bifold door, a flush mounting up to 1" in depth is permissible.

2B. Balance the outer frame (without doors attached) in the center of the fireplace opening, with the outer edges equidistant to each side of the firebox. The base of the frame should rest on the firebox floor.

2C. Fasten, with an anchor, the lower left and right corners of the frame mounting bracket. Fasten another anchor near the top center of the frame bracket. (See illustration)



STEP 3: Positioning the glass doors on the frame and adjustments.

NOTE: The doors have been pre-installed and aligned correctly at the factory, but they have been packaged separately for shipment.

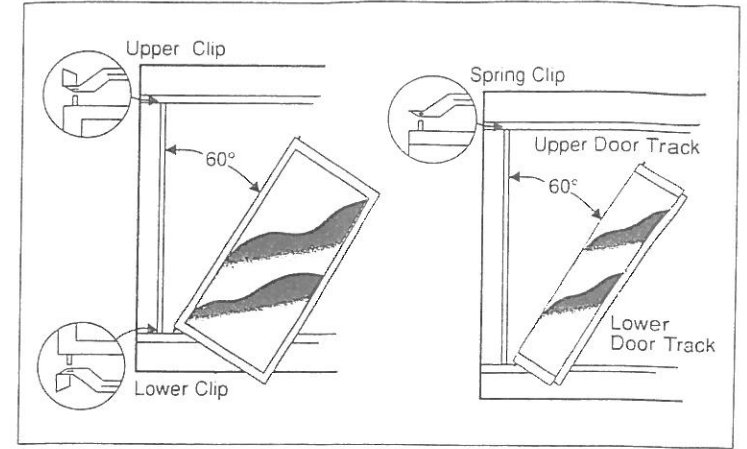
For a bi-fold glass enclosure follow the instructions in part (A). For bifold foldback door styling go to the instructions in part (B).

(A) To insert your bifold glass doors in the frame, carefully fold the glass panels until they meet. Tilt the glass panels to a 60° angle and insert the bottom rod pivot into the lower track bracket. Then raise the glass panels to a vertical position. Be careful to keep the upper rod pivot and track mechanism within the upper track. When fully vertical the top rod pivot should snap into the upper spring clip. Repeat this same procedure on the other side.

(B) To insert the twin or bifold foldback door into the frame, remove the lower and upper track brackets on one side. Do this by removing the bracket adjustment screw. Position the brackets on the top and bottom hinge mechanism of the door panel. Tilt the panel to a 60° angle and insert into the frame. Then raise the

panel to a vertical position, sliding the top and bottom brackets in the track back to their original position. Reattach the screws to the upper and lower brackets. Repeat for the other side.

To adjust your twin or bifold foldback door, loosen the adjustment bracket screws slightly and slide brackets to the proper position, then re-tighten screws. Do this on all four brackets. When adjusted properly, doors will operate smoothly and have an equal margin between frame and glass on sides.



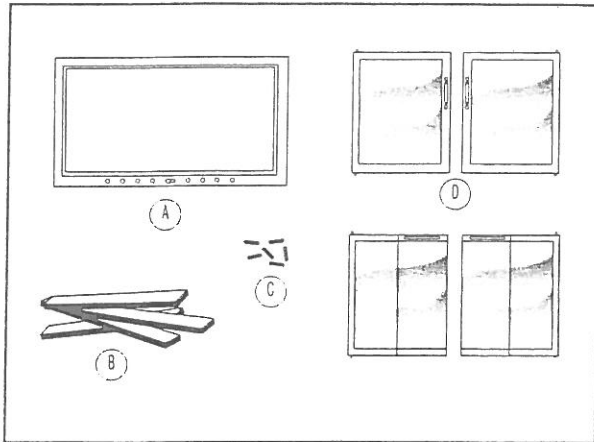
Foldback or Twin Door

Bifold Door

Step 1: Preparation

1A. Unpack carefully the glass enclosure from its containers. Carefully remove the plastic coverings from all parts. Use the following checklist to insure that all of the door's components have been received:

- A. Frame (1)
- B. Insulation strips
- C. 1/4" Sleeve Anchors (6)
- D. Glass Doors (3 sets of proper door type - Genesis Bifold, Twin, or Bifold Foldback enclosures)

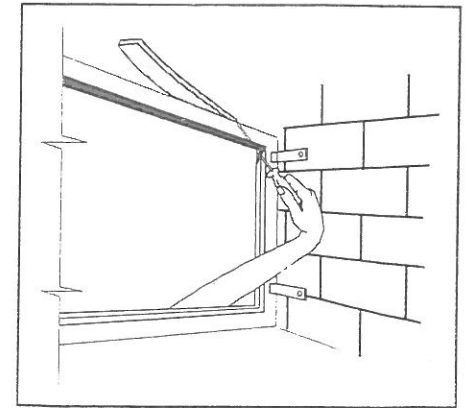


1B. Assemble the following items to be used as your basic installation kit: (See illustration top right)

- A. Electric drill
- B. Hammer
- C. Razor knife
- D. Screwdriver, flat
- E. Phillips head screwdriver
- F. 1/4" Masonry bit
- G. Pliers
- H. 3/4" to 1 1/4" Masking tape
- I. Hand cleaver
- J. Level
- K. Extension cord
- L. Hand sheet metal punch
- M. Tape measure
- N. Sheet metal drill bit
- O. Tin Snips

STEP 4: Sealing the glass enclosure

It is important to properly seal the glass enclosure frame to the fireplace opening. Use the high temperature fiberglass insulation provided to fill in the gap between the frame and the fireplace on the top and sides. For best results, push the insulation into the gap from the back side of the frame. An alternative sealing method is a high temperature silicone or grout material.



STEP 5: Finishing Touches

For a professional look, always clean up your work area before you leave. Pack your tools then invite the buyer to inspect the results of your work. Answer any questions to which you are capable. Take note of any buyer concerns about the product or transaction. Advise the dealer from whom the door was purchased about these concerns.