

WCT6820WS

EPA Wood Burning Fireplaces Specifications

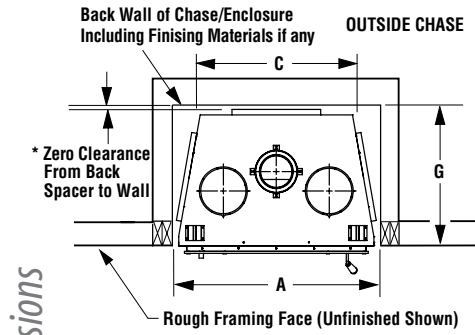
Cat. #	Model	Description
F1792	WCT6820WS	EPA Wood-Burning fireplace

Product Reference Information	
Weight	300 lbs
Height	36"
Width	36"
Depth	24-1/2"
Firebox W x H x D measured in front	22" x 11-3/4" x 12"
Chimney weight ASHT* (6" dia.)	6.25 lb/ft.
Chimney weight AC* (6" dia.)	3.25 lb/ft.
Chimney Weight S-2100+* (6" dia.)	10.8 lb/ft.

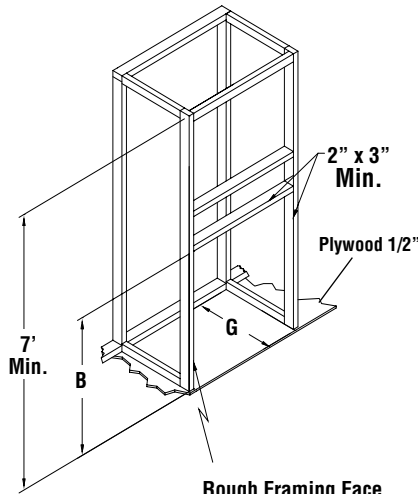
*Available from Security Chimneys™

FRAMING DIMENSIONS Fireplace Opening Width		
A	36-1/4"	921 mm
B	42"	1067 mm
C	30-1/8"	764 mm
D	13-1/2"	343 mm
E	77"	1956 mm
F	37-1/2"	953 mm
G	*24-1/2"	603 mm
J	53-3/4"	1365 mm

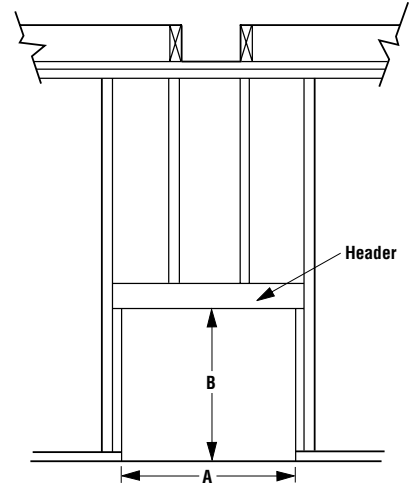
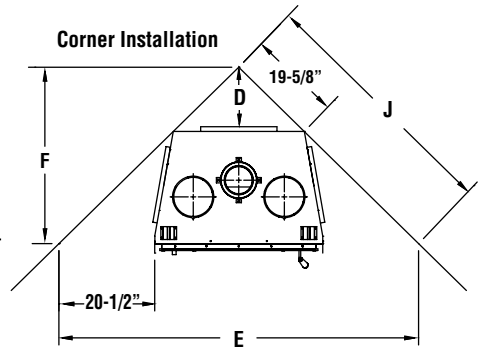
* Total depth is 25 inches including the back spacer minus 1/2 inch for drywall to be flush with the facing.



Framing Dimensions



Rough Framing Face (dimension includes finish material inside framing, if any)



Notes

Diagrams, illustrations and photographs are not to scale – consult installation instructions. Product designs, materials, dimensions, specifications, colors and prices are subject to change or discontinuance without notice.

All framing dimensions calculated for 1/2" dry wall at the fireplace face. If sheathing the chase or finishing with other thickness materials, calculations will need to be made.

* The fireplace must not be in contact with any insulation or loose filling material. Cover the insulation with drywall panels around the fireplace.

PARTS REQUIRED

- 6" diameter chimney* - Model ASHT+, S-2100+, HT6000+, HT6103+ or AC manufactured by Security Chimneys International only, including:
 - Chimney lengths
 - Elbows (where necessary)
 - Associated components per installation and operation manual.
- Decorative Door - Required (Order Separately)
 - Available in black, gold or brushed nickel
- Front Facade kit - Required (Order Separately)
 - Available in black, brushed nickel or hammered steel
- UZY5 blower (included)
- VRUW Blower Speed Control (included)
- Outside air kit (included)

OPTIONAL EQUIPMENT

- Additional Equipment
 - AC Chimney Adaptor* (required if using AC Chimney)
 - AC chimney outside air kit
 - Gravity venting system

*Available from Security Chimneys™

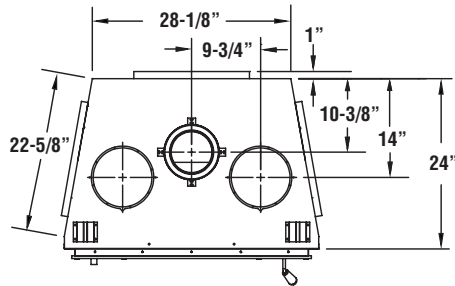
Listing Information



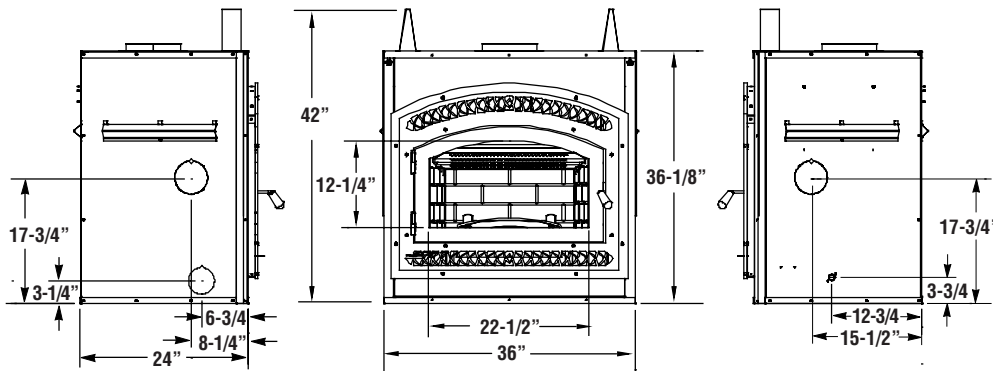
Report No. 14-199

Listed to ULC-S610 & UL-127

EPA certification test emission value 3.7 g/hr per 2015 standard



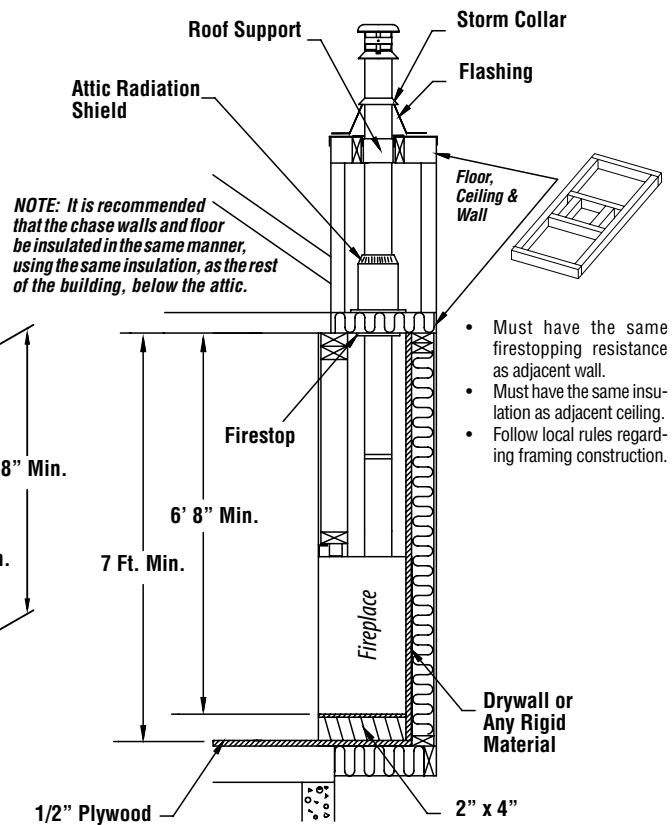
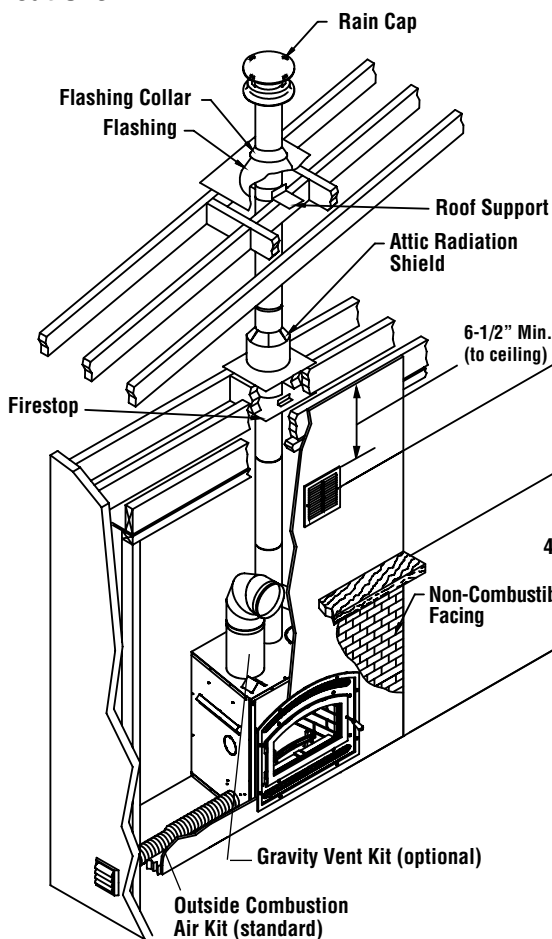
Fireplace Dimensions



WCT6820WS

EPA Wood Burning Fireplaces Specifications

Typical Installations



CLEARANCE TO COMBUSTIBLES

The following clearances meet the minimum requirements for a safe installation:

Side wall: 17" (324 mm) measured from the fireplace side.

Ceiling: 6' 8" (2032 mm) measured from the base of the fireplace.

Fireplace enclosure:

- Bottom:** 0"
- Side:** 0" to spacer
- Back:** 0" to spacer

Top: Do not fill the space above the fireplace with any material (Except the wood framing)

Chimney: 2" (50 mm)

Mantel: 42" (1067 mm) measured from the base of the fireplace.

Combustible Clearances

