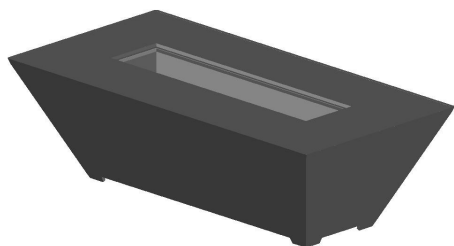


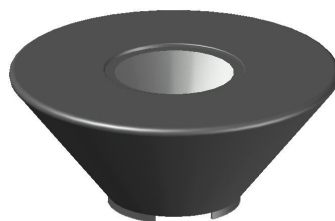


## Olympus Fire Table Installation & Operation Manual



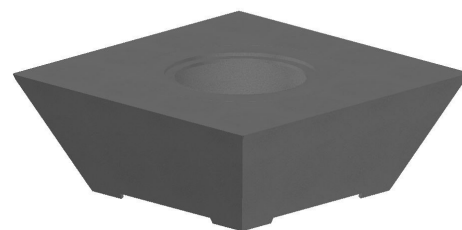
**Rectangular**

ORECFT-603018-"Color"-"NG/LP"



**Round**

ORNDFT-444418-"Color"-"NG/LP"



**Square**

OSQRFT-484818-"Color"-"NG/LP"

**WARNING:** If the information in this manual is not followed exactly, a fire or explosion may result, causing property damage, personal injury or loss of life

Do not store or use gasoline or other flammable vapors and liquids in the vicinity of this or any application

### WHAT TO DO IF YOU SMELL GAS

Do not try to light any appliance

Do not touch any electrical switch

Do not use any phone in the building

Immediately call the gas supplier from a neighbor's phone. Follow the gas supplier's instructions

If you cannot reach the gas supplier, call the fire department.

Installation and service must be performed by a qualified installer, service agency or the gas supplier

**Ventilation is incorporated into ALL Olympus Fire Tables.**

**WARNING:** Do not operate this fire feature in high-wind conditions. Operating in high-wind conditions may expose your model to direct flame, which will result in cracking and discoloration to the finish.

### CARBON MONOXIDE HAZARD

This appliance can produce carbon monoxide which has no odor.

Using it in an enclosed area can kill you.

Never use this appliance in an enclosed space such as a camper, tent, car or home.

**IF YOU CAN NOT READ OR UNDERSTAND THESE INSTALLATION INSTRUCTIONS DO NOT ATTEMPT TO INSTALL OR OPERATE THIS DEVICE**

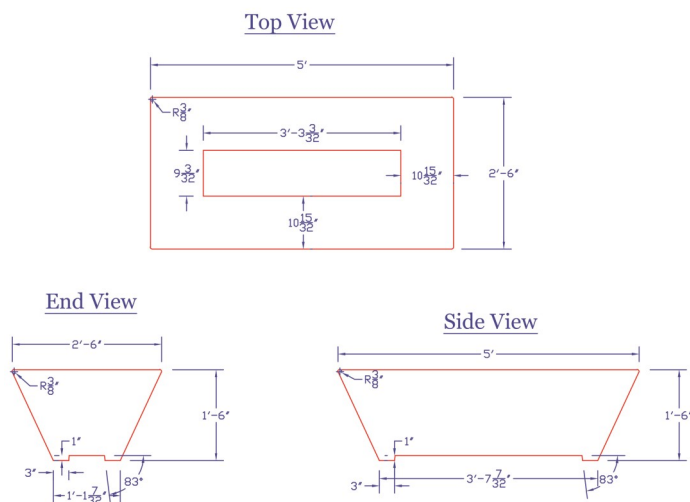
**INSTALLER:** Leave this manual with the fire table  
**CONSUMER:** Retain this manual for future reference.



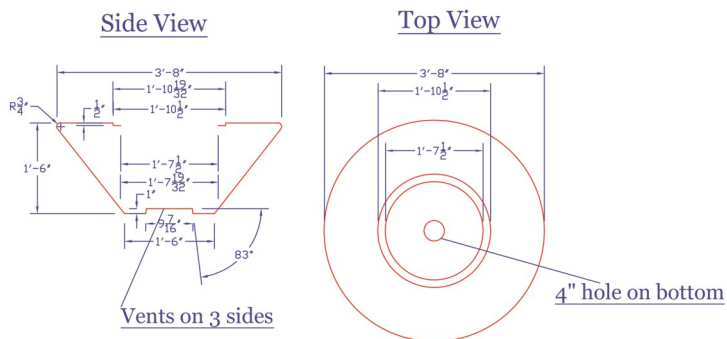
**Warning:** For Outdoor Use Only

# Dimensions & Parts List

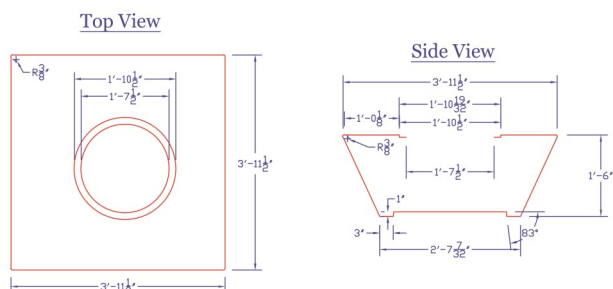
## Rectangular Fire Table



## Square Fire Table



## Square Fire Table



### Minimum Clearance To Combustibles

Side Walls	Ceiling	Floor
16"	68"	N/A

Pressure	NG	LP
Min. Inlet	3.5" W.C.	8" W.C.
Max. Inlet	14" W.C.	14" W.C.
Normal	7" W.C.	11" W.C.

### Burner Specifications

Model #	Pan Length	Pan Width	Burner Length	Burner Width	BTU NG	BTU LP
DIP-LN-36	38.5"	8.5"	34"	.5"	65K	65K
DIP-RN-19	22"	22"	12"	12"	65K	65"

### Parts List

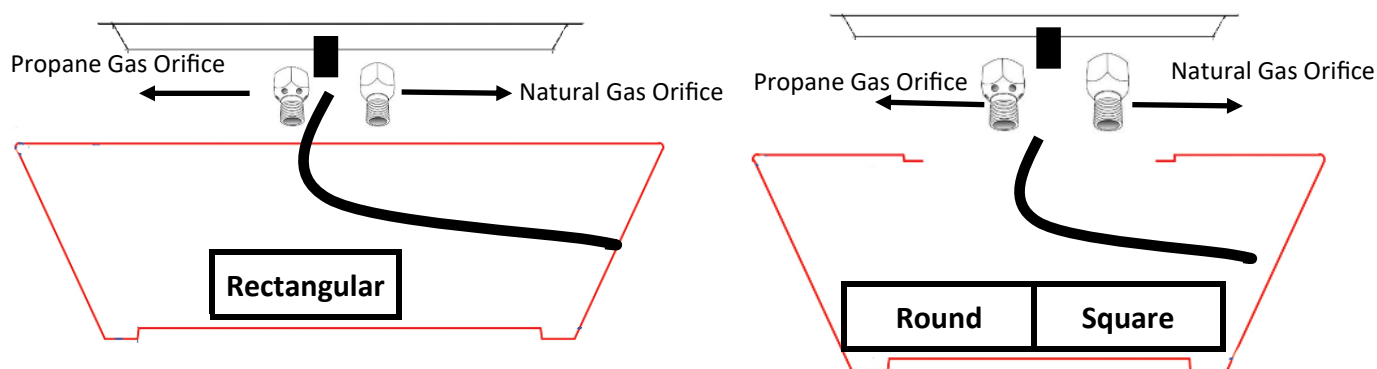
1.	Fire Table
2.	Burner & Pan
3.	NG or LP Orifice
4.	Installation Kit
5.	Installation Manual

1. Fire Table (Not Shown Below) is available in Rectangular, Round or Square. Fire Tables also available in 5 colors, Black "BLK", Gray "GRY", White "WHT", Rust "RST" & Bone "BON".
2. Rectangular Fire Tables accept liner drop-in burner. Square & Round Fire Tables accept round drop-in burner.
3. Pre drilled Orifices for Natural Gas or Liquid Propane are included
4. Install Kit Includes mounting bracket, 1/2" key valve, 3" Key, Flex line & connection fittings



## Installation Instructions

1. Carefully prepare installation area making sure that area is clear of all debris & combustible material. DO NOT install the fire table on grass, dirt or soft material as this will prevent proper ventilation.
2. Refer to the NFPA54 (National Fuel Gas Code) for proper pipe sizing. Follow the local code requirements for the gas type being used. This fire feature should be installed in accordance with local codes and ordinances or in the absence of local codes, with the latest National Fuel Gas Code, ANSI Z223.1 NFPA54 or CSA B149.1, Natural and Propane Installation Code in Canada.
3. The Olympus Fire Table is for Outdoor Use ONLY. DO NOT install indoors.
4. Using Proper pipe dope or Teflon tape on the threaded pipe nipple on the bottom of the Linear or Round burner, Screw on the Natural Gas or Propane orifice with an open ended wrench.
5. Once the orifice is in place, attach the 1/2" FIP x 5/8" Flare fitting to the bottom of the pan. Next connect the 5/8" whistle free flex line to the bottom of the pan.
6. Using the additional flare x MIP straight fitting insert that into the side of the key valve. The key way valve is direction, thus make sure the arrow is pointing in the direction of the gas flow.
7. Connect your incoming gas line to the key way valve following the directional flow arrow on the valve.
8. Check ALL gas connections with soapy water to ensure gas connection are leak free



## Media Installation

1. All media lava rock and/or fire glass has the potential of thermal spalling. This is a process that may occur when media is wet and moisture gets trapped inside of the material due to rapid temperature differences. When this happens the media has the potential to crack or "pop" outside of the fire-pit.
2. Install lava rock into the burner pan. Ensure that lava rock is a 1" to 2" inch in diameter for proper operation. DO NOT pour lava directly from the bag due to the dust that can collect in the bag. It should be placed naturally and NOT packed in tightly. Loose fitting is important to ensure robust flames. Be sure rocks are free of dust as this ensures the burner pan weep hole do not get clogged up. IF USED the pilot head must not be completely covered to ensure proper pilot hood ventilation
3. Install the glass media into the burner pan. Ensure the glass media is 1/2" to 3/4" in size & rated for use with fire. Carefully pour the glass into the burner pan & cover the burner completely with no more than 1" of media over the top of the burner. IF USED the pilot head must not be completely covered to ensure proper pilot hood ventilation
4. Logs and or Cannon Balls can be use as accent pieces laid on top of previously mentioned media.

Burner Pan Style	Required Media Lava Rock / Fireglass
Linear	20 lbs.
Round	30 lbs.

# Warranty

**Refractory Logs:** Grand Canyon Gas Logs, logs carry a lifetime warranty against any manufacture defects or breakage as long as the products are installed inside. In the event defect or breakage occurs a replacement will be available to pick-up from the dealer at which the log set was originally purchased. This warranty does not cover breakage caused by excessive handling once installed and fired. Logs installed outdoors carry a (1) year warranty. This warranty is limited to original purchaser only.

**Burner:** Grand Canyon Gas Logs outdoor stainless steel burners carry a life time warranty against manufacture defects or breakage as long as the appliance is installed by a professional installer. In the event a defect or breakage occurs a replacement will be available for pick-up from the dealer at which the burner was originally purchased.

**Electrical and Valves:** Grand Canyon Gas Logs valves, pilot assemblies and electrical components carry a (1) year warranty against breakage or defects from date of purchase, by original purchaser, and must be installed be a licensed professional installer. This warranty only covers use with Grand Canyon Gas Logs burners and logs In the event a defect or breakage occurs a replacement will be available for pick-up from the dealer at which the burner was originally purchased.

**GFRC Fire-Tables:** Grand Canyon Gas Logs GFRC Fire Tables carry a (2) year warranty against manufacture defects. Grand Canyon Gas Logs will replace product which has proven to be defective in workmanship and material. ALL Fire-Tables **MUST** be covered when not in use to prevent efference. Damage due to severe or catastrophic weather is not covered under this warranty. The warranty is limited to the original purchaser, and must be installed be a licensed professional installer. This warranty only covers use with Grand Canyon Gas Logs burners and logs In the event a defect or breakage occurs a replacement will be available for pick-up from the dealer at which the burner was originally purchased.

## WARRANTY CARD:

**Please fill this warrant card and mail it to Grand Canyon Gas Logs to receive a warranty claim**

**Purchased from:**

**City, State**

**Day/Month/Year:**

**Your information**

**Name:**

**City, State:**

**Phone Number:**

**Date of install:**

**Mail to:**

**Grand Canyon Gas Logs**

**3435 E. Atlanta Ave.**

**Phoenix, AZ 85040**