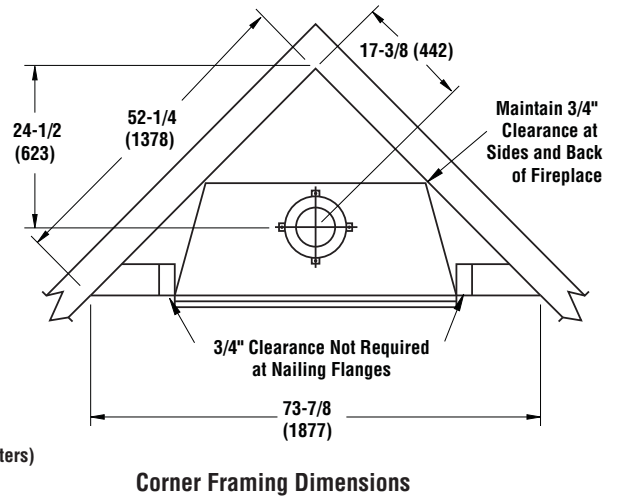
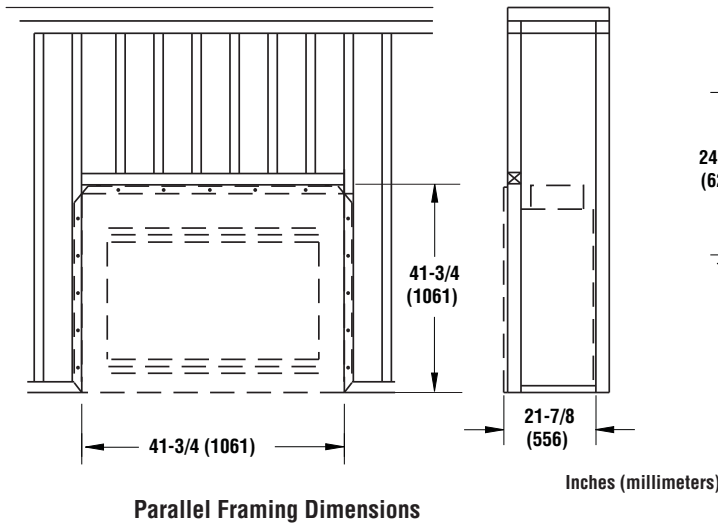


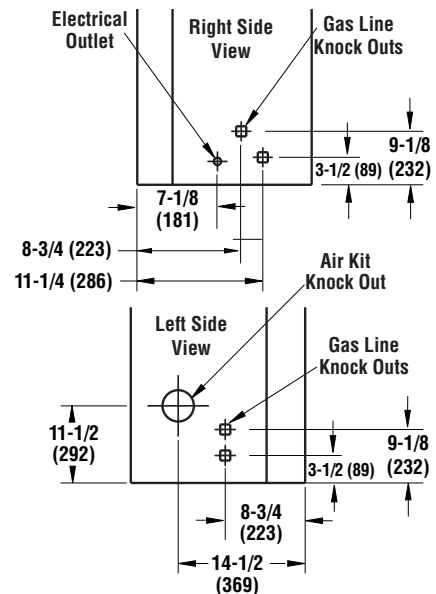
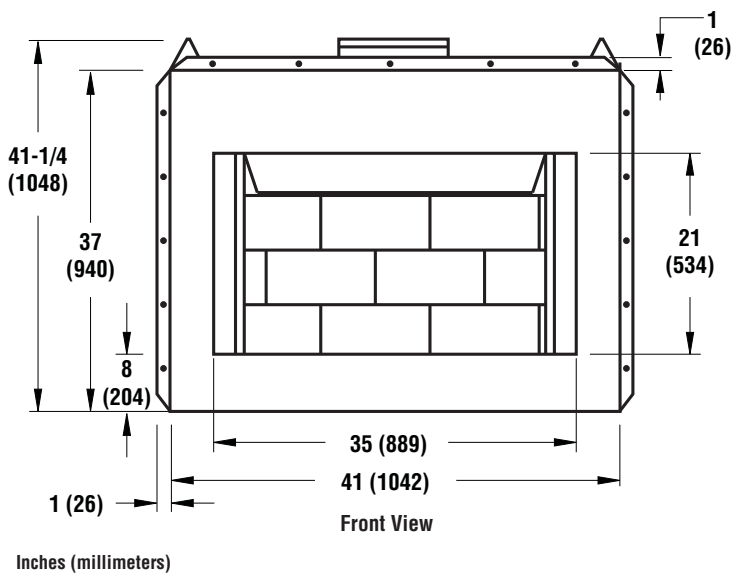
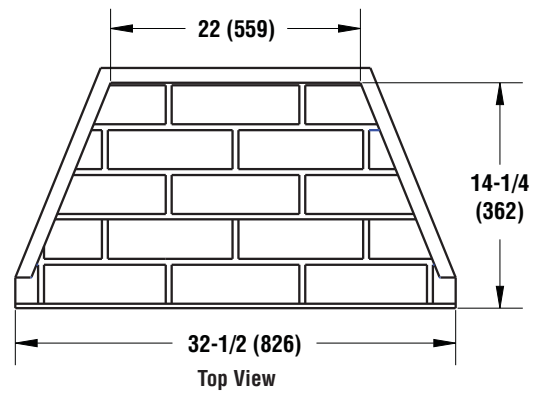
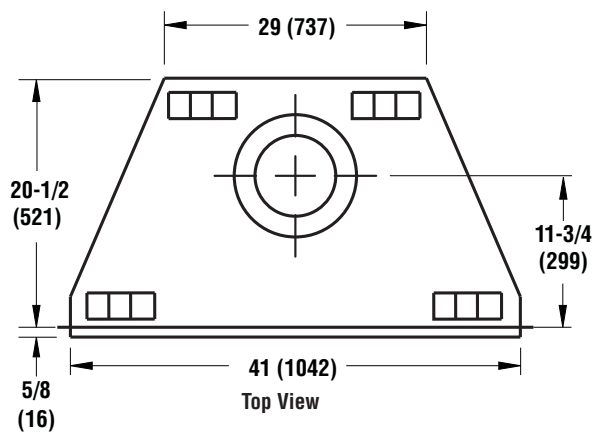
WRT3036 AND WCT3036 SERIES

WOOD-BURNING FIREPLACES

Framing Dimensions



Fireplace Dimensions



NOTE: DIAGRAMS & ILLUSTRATIONS ARE NOT TO SCALE.

WRT3036 AND WCT3036 SERIES

Product Information

Product Reference Information				
Cat. No.	Model	Desc.	Shipping Weight	Shipping Volume
F0647	WRT3036RS	Radiant	184 lb.	23.8 cu. ft.
F0648	WRT3036RSI	Radiant	184 lb.	23.8 cu. ft.
F0649	WRT3036RH	Radiant	184 lb.	23.8 cu. ft.
F0650	WCT3036RS	Louver	184 lb.	23.8 cu. ft.
F0651	WCT3036RSI	Louver	184 lb.	23.8 cu. ft.
F0652	WCT3036RH	Louver	184 lb.	23.8 cu. ft.

Product Reference Information				
Cat. No.	Model	Desc.	Shipping Weight	Shipping Volume
F0659	WRT3036WS	Radiant	184 lb.	23.8 cu. ft.
F0660	WRT3036WSI	Radiant	184 lb.	23.8 cu. ft.
F0661	WRT3036WH	Radiant	184 lb.	23.8 cu. ft.
F0662	WCT3036WS	Louver	184 lb.	23.8 cu. ft.
F0663	WCT3036WSI	Louver	184 lb.	23.8 cu. ft.
F0664	WCT3036WH	Louver	184 lb.	23.8 cu. ft.

Listing Information



Report No. 10-078

This fireplace has been tested and approved by PFS Corporation under UL127/ULC-S610 standard as a Factory Built Appliance and may be used with gas logs approved to ANSI Z21.60, Z21.84 or Z21.11.2 standards.

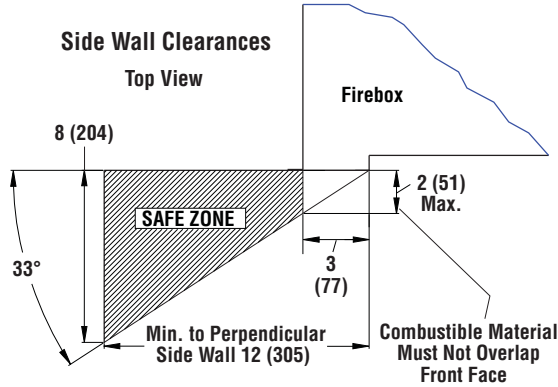
Clearances to Combustibles

Description	Min. Clearance
Ceiling	40 (1016)
Back and sides of fireplace	3/4 (19)*
Floor	0 (0)**
Perpendicular wall to opening	12 (305)
Top spacers	0 (0)
Chimney outer pipe surface	1 (26)

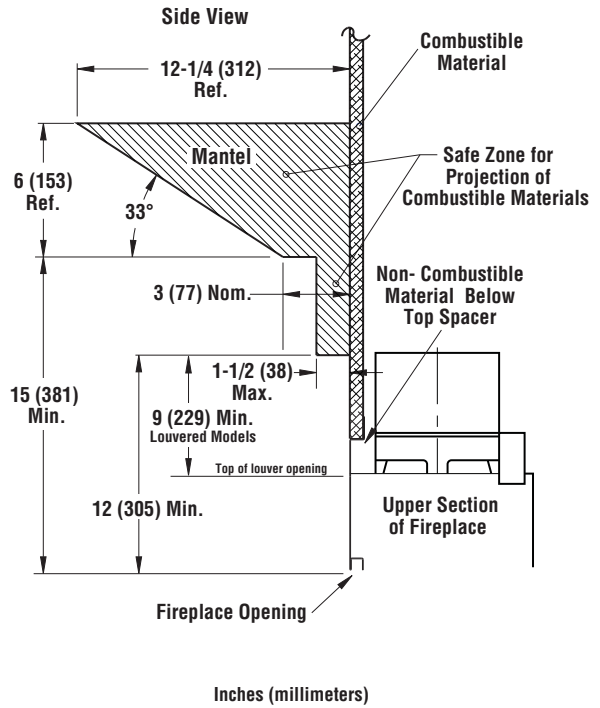
* Not required at nailing flanges

** See step 2 of Framing in the Installation and Operation Manual

Clearances



Mantel Clearances



Venting

Venting
Uses Standard (8DM) and Hi-Temp (8HT) Wood-Burning Chimney. For Canada Use 8HT Chimney

