



# INSTALLATION AND OPERATION INSTRUCTIONS

## Superior® Pro Series Wood-Burning Fireplaces

P/N 126622-01 Rev. N 07/2023

Ce manuel est disponible en français, simplement en faire la demande. Numéro de la pièce 126622-02.



### MODELS

WRT3042WS	WCT3042WS
WRT3042WSI	WCT3042WSI
WRT3042WH	WCT3042WH



<b>SAVE THIS BOOK</b>	
<b>This book is valuable. In addition to instructing you on how to install and maintain your appliance, it also contains information that will enable you to obtain replacement parts or accessory items when needed. Keep it with your other important papers.</b>	
<b>INSTALLER: Leave this manual with the appliance.</b>	<b>Installateur : Laissez cette notice avec l'appareil.</b>
<b>CONSUMER: Retain this manual for future reference.</b>	<b>Consommateur : Conservez cette notice pour consultation ultérieure.</b>
<b>This wood burning fireplace complies with UL127 CAN/ULC-S610-M87 standard as a FACTORY BUILT FIREPLACE.</b>	<b>Ce foyer au bois est conforme aux UL 127 CAN/ULC-S610-M87 norme comme une USINE CONSTRUITE CHEMINÉE.</b>

**This fireplace is approved for use as a wood burning fireplace or for use with a vented gas log approved to ANS Z21.60, Z21.84 standards or for use with a vent-free gas log heater approved to ANS Z21.11.2 standard. An INNOVATIVE HEARTH PRODUCTS, LLC hood must be installed when using a vent-free log heater (*see Accessories, Page 20*).**

<b>FOR CANADA: The authority having jurisdiction (such as the municipal building department, fire department, etc.) should be contacted before installation to determine the need to obtain a permit.</b>	<b>POUR LE CANADA: L'autorité compétente (comme le service municipal du bâtiment, les pompiers, etc.) doit être contacté avant l'installation afin de déterminer la nécessité d'obtenir un permis.</b>
---	--

**This appliance may be installed in an aftermarket permanently located, manufactured home (USA only) or mobile home, where not prohibited by local codes.**

**This installation manual will enable you to obtain a safe, efficient and dependable installation of your fireplace system. Please read and understand these instructions before beginning your installation.**

**Do not alter or modify the fireplace or its components under any circumstances. Any modification or alteration of the fireplace system, including but not limited to the fireplace, chimney components and accessories, may void the warranty, listings and approvals of this system and could result in an unsafe and potentially dangerous installation.**

**IMPORTANT! TO ASSURE PROPER ALIGNMENT OF GLASS DOORS: INSTALL THIS FIREPLACE IN A SQUARE AND PLUMB CONDITION, USING SHIMS AS NECESSARY AT SIDES AND/OR BOTTOM.**

**Thank you for your purchase. We appreciate your business!**

Please carefully read and follow all instructions in this manual. **Pay special attention to all warnings and safety information.**

Following these safety, care, and operation instructions will help ensure many years of dependable and enjoyable service from your fireplace.

**Please read and understand these instructions before installing or operating.**



**TABLE OF CONTENTS**

Safety .....2  
Specifications.....4  
Fireplace Installation .....5  
Venting Installation .....7  
Optional Gas Line Installation .....13  
Operation and Maintenance .....14  
Replacement Parts.....15  
Technical Service .....15  
Important Notices - Canada .....15  
Parts .....16  
Accessories.....18  
Draft Smoke Guidelines - Appendix A .....21  
Warranty .....23

**SAFETY**

**⚠ WARNING: This product can expose you to chemicals including Carbon Black, which is known to the State of California to cause cancer, and Carbon Monoxide, which is known to the State of California to cause birth defects or other reproductive harm. For more information go to [www.P65Warnings.ca.gov](http://www.P65Warnings.ca.gov)**

**⚠ WARNING: Improper installation, adjustment, alteration, service or maintenance can cause injury, property damage or loss of life. Refer to this manual for assistance or additional information. Consult a qualified installer or local distributor.**

**IMPORTANT: Check local codes before installing this fireplace.**

Before beginning installation of this fireplace, read these instructions through completely.

- This INNOVATIVE HEARTH PRODUCTS, LLC (IHP) fireplace and its components are safe when installed according to this installation manual. Unless you use IHP components, which have been designed and tested for the fireplace system, you may cause a fire hazard.
- The IHP warranty will be voided by and IHP disclaims any responsibility for the following actions.
  - a. Modification of the fireplace, components, doors, air inlet system and damper control.
  - b. Use of any component part not manufactured or approved by IHP in combination with an IHP fireplace system.

Proper installation is the most important step in ensuring safe and continuous operation of the fireplace. Consult the local building codes as to the particular requirements concerned with the installation of all factory built fireplaces.

**⚠ WARNING: Do not install a fireplace insert in this fireplace unless the manufacturer's instructions with the insert specifically state this fireplace has been tested for use with this insert.**

**FOR YOUR SAFETY**

- Do not store or use gasoline or any other flammable vapors or liquids in the vicinity of this or any other appliance.
- Due to high temperatures, the appliance should be located out of traffic and away from furniture and draperies.
- Do not place clothing or other flammable materials on or near the appliance.
- Never leave children unattended when a fire is burning in the fireplace.

**⚠ WARNING: Use solid wood or processed solid fuel fire logs only. "Do not poke or stir the logs while they are burning. Use only firelogs that have been evaluated for the application in fireplace and refer to firelog warnings and caution markings on packaging prior to use."**

**This fireplace is not intended to be used as a substitute for a furnace to heat an entire home. Use for supplemental heat only.**

**Overfiring of a fireplace is a condition where excessive temperatures are reached, beyond the design capabilities of the appliance. The damage that occurs from overfiring is not covered under the manufacturer's limited warranty.**

**⚠ WARNING: CONTINUED OVERFIRING CAN PERMANENTLY DAMAGE YOUR FIREPLACE SYSTEM. SOME EXAMPLES OF CONDITIONS THAT COULD CAUSE OVERFIRING ARE:**

- **BURNING QUANTITIES OF SCRAP LUMBER, PINE BRANCHES, PAPER OR CARDBOARD BOXES WHICH EXCEED THE VOLUME OF THE NORMAL LOG FIRE.**
- **BURNING TRASH, CHEMICALS OR CHEMICALLY TREATED COMBUSTIBLES.**

#### **Disposal of Ashes**

Ashes should be placed in a metal container with a tight-fitting lid. The closed container of ashes should be placed on a noncombustible floor or on the ground, well away from all combustible materials, pending final disposal. If the ashes are disposed of by burial in soil or otherwise locally dispersed, they should be retained in the closed container until all cinders have thoroughly cooled.

**WHEN USING THE DECORATIVE APPLIANCE, THE FIREPLACE DAMPER MUST BE SET IN THE FULLY OPEN POSITION.**

Never use gasoline, gasoline-type lantern fuel, kerosene, charcoal lighter fluid, or similar liquids to start or 'freshen up' a fire in this fireplace. Keep all such liquids well away from the fireplace while it is in use.

Use **SOLID WOOD** only for fuel. It is best to use dry and well seasoned hardwood. Softwoods tend to burn very quickly. **DO NOT** use treated wood, charcoal, coal, trash, driftwood or woods that have been dipped in tar, pitch, pine tar, creosote, etc. Wood products made with synthetic binders, such as plywood, produce abnormally high temperatures and sputtering, smoking fires. When burning artificial logs, please read and follow the instructions provided by the manufacturer.

Never burn treated construction lumber or scraps. These woods burn excessively hot and may contain chemicals used to treat insects and fungus. When burned, these chemicals can pose a significant hazard.

**IMPORTANT: See appendix A, *Page 21* for additional information regarding draft requirements, smoking causes and troubleshooting.**

**⚠ WARNING: BURNING IMPROPER FUEL (I.E. CHARCOAL) CAN RESULT IN CARBON MONOXIDE POISONING, WHICH MAY LEAD TO DEATH!**

Carbon Monoxide Poisoning – Early signs of carbon monoxide poisoning resemble the flu with headaches, dizziness, or nausea. If you have these signs, get fresh air at once! Have the appliance inspected by a qualified service technician. Some people are more affected by carbon monoxide than others. These include pregnant women, people with heart or lung disease or anemia, those under the influence of alcohol, and those at high altitudes.

**Ventilation Requirements - Provide adequate air for combustion. The fresh air requirements of this appliance must be met within the space where it will be installed.**

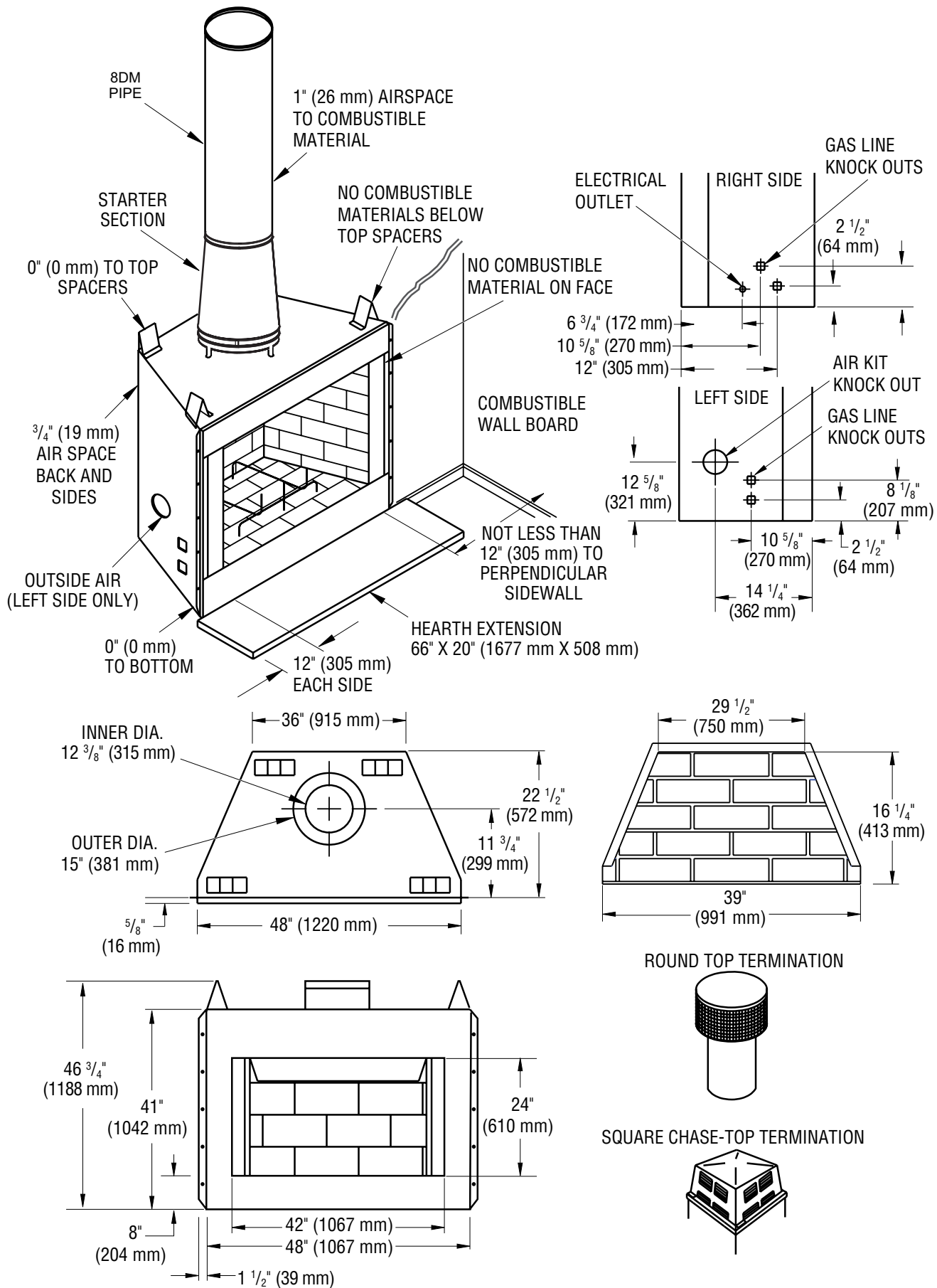
**Smoke Detectors - Since there are always several potential sources of fire in any home, we recommend installing smoke detectors. If possible, install the smoke detector in a hallway adjacent to the room (to reduce the possibility of occasional false activation from the heat produced by the appliance). If your local code requires a smoke detector be installed within the same room, you must follow the requirements of your local code. Check with your local building department for requirements in your area.**

#### **Creosote – Formation and Need for Removal**

When wood is burned slowly, it produces tar and other organic vapors, which combine with expelled moisture to form creosote. The creosote vapors condense in the relatively cool chimney flue of a slow-burning fire. As a result, creosote residue accumulates on the flue lining. When ignited this creosote makes an extremely hot fire.

The chimney shall be inspected at least twice a year during the heating season to determine when a creosote buildup has occurred. When creosote has accumulated (1/8" [3 mm] or more) it shall be removed to reduce the risk of a chimney fire.

# SPECIFICATIONS



## FIREPLACE INSTALLATION

### SELECTING LOCATION

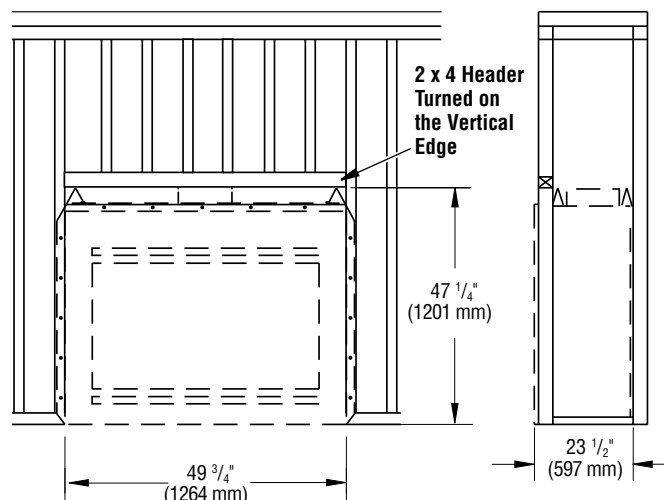
To determine safest and most efficient location for fireplace, you must take into consideration the following guidelines:

1. Location must allow for proper clearances (see **Figures 1 and 2**).
2. Consider a location where fireplace will not be affected by drafts, air conditioning ducts, windows or doors.
3. A location that avoids cutting of joists or roof rafters will make installation easier.
4. An outside air kit is available with this fireplace (see **Optional Outside Air Kit on Page 7**).

### MINIMUM CLEARANCE TO COMBUSTIBLES

Back and sides of fireplace	3/4" (19 mm) minimum*
Floor**	0" (0 mm) minimum
Perpendicular wall to opening	12" (305 mm) minimum
Top spacers	0" (0 mm) minimum
Mantel clearances	see <b>Mantels, Page 6</b>
Chimney outer pipe surface	1" (26 mm) minimum

\*\* See step 2 of **Framing**



**Figure 1 - Framing Dimensions**

**⚠ WARNING: DO NOT PACK REQUIRED AIR SPACES WITH INSULATION OR OTHER MATERIALS.**

### Minimum/Maximum Chimney Height

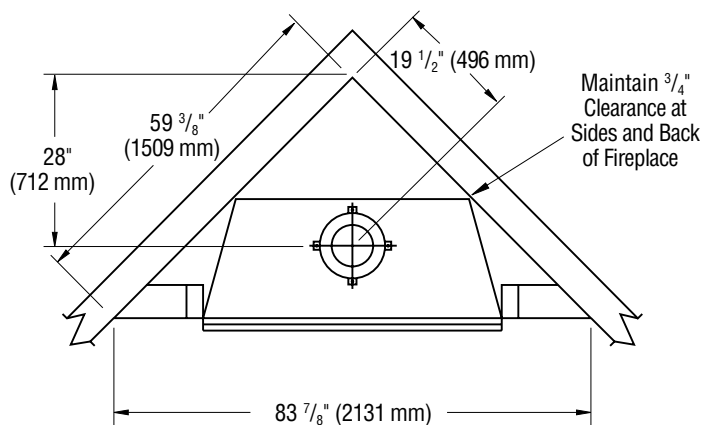
Minimum height of chimney, measured from base of fireplace to flue gas outlet of termination, is 14.5 feet for straight flue or a flue with one elbow set. Maximum distance between elbows is 6 feet. For systems with two elbow sets, minimum height is 22 feet. Maximum height of any system is 50 feet. This measurement includes fireplace, chimney sections and height of termination assembly at level of flue gas outlet (see **Figure 21, Page 13**).

### FRAMING

1. Frame opening for fireplace using dimensions shown in **Figures 1 and 2**.

**NOTE: When the fireplace is framed, the header has to be turned on the vertical edge to maintain proper clearance.**

2. If fireplace is to be installed directly on carpeting, tile or any combustible material other than wood flooring, fireplace must be installed upon a metal or wood panel extending full width and depth of fireplace.
3. Set fireplace directly in front of this opening and slide unit back until nailing flanges touch side framing.
4. Check level of fireplace and shim with sheet metal if necessary.
5. Before securing fireplace to prepared framing, ember protector must be placed between hearth extension (not included) and under bottom front edge of fireplace to protect against glowing embers falling through. If fireplace is to be installed on a raised platform, a Z-type ember protector (not included) must be fabricated to fit your required platform height. Ember protector should extend under fireplace a minimum of 1-1/2". Ember protector should be made of galvanized sheet metal (28 gauge minimum) to prevent corrosion.
6. Using screws or nails, secure fireplace to framing through flanges located on sides of fireplace.



**Figure 2 - Corner Installation**

### HEARTH EXTENSION

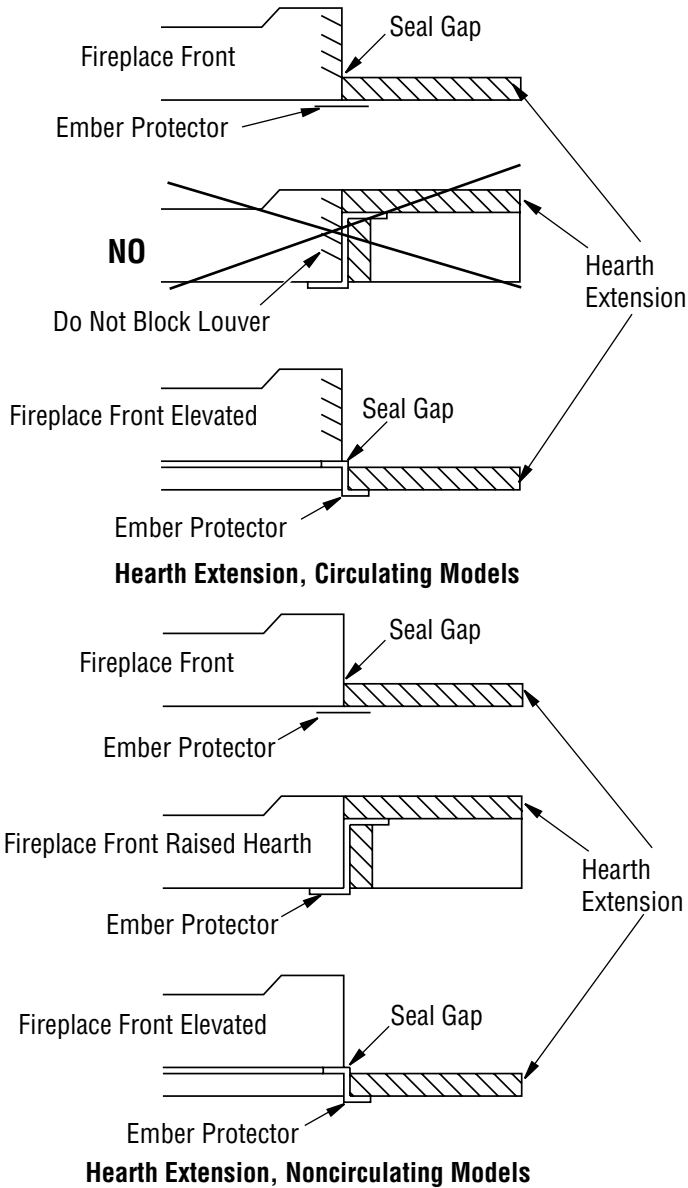
A hearth extension projecting a minimum of 20" in front of and a minimum of 12" beyond each side of fireplace opening is required to protect combustible floor construction in front of fireplace. Fabricate a hearth extension using a material which meets the following specifications: a layer of noncombustible, inorganic material having a thermal conductivity of  $k = .84 \text{ BTU IN/FT}^2 \text{ HR } ^\circ\text{F}$  (or less) at 1" thick. For example, if material selected has a  $k$  factor of 0.25, such as glass fiber, the following formula would apply:

$$\frac{0.25}{0.84} \times 1.0" = 0.30" \text{ thickness required}$$

Thermal conductivity "k" of materials can be obtained from manufacturer or supplier of noncombustible material. If hearth extension is to be covered, use noncombustible material such as tile, slate, brick, concrete, metal, glass, marble, stone, etc. Provide a means to prevent hearth extension from shifting and seal gap between fireplace frame and hearth extension with a non-combustible material such as sand-cement grout (see **Figure 3, Page 6**).

## FIREPLACE INSTALLATION *Continued*

**⚠ WARNING: Hearth extension is to be installed only as shown in *Figure 3*.**

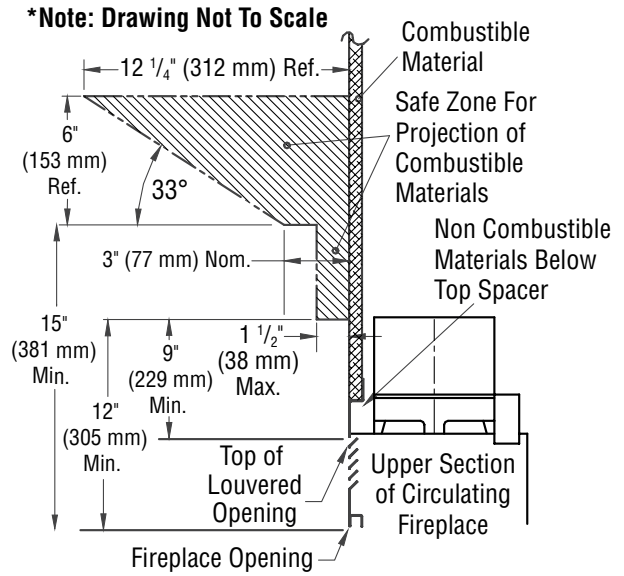


**Figure 3 - Hearth Extension**

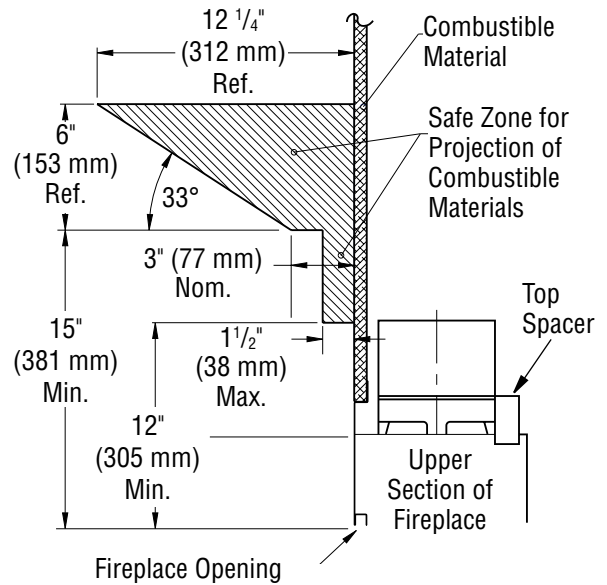
### MANTELS

A mantel may be installed if desired (see *Figures 4 and 5*). Woodwork such as wood trims, mantels or any other combustible material projecting from front face, must not be placed within 12" of fireplace opening and within 9" of top louver opening. Combustible materials above 12" and projecting more than 1-1/2" from fireplace must not be placed less than 12" from top opening of fireplace (NFPA 211, Section - Clearance from Combustible Material).

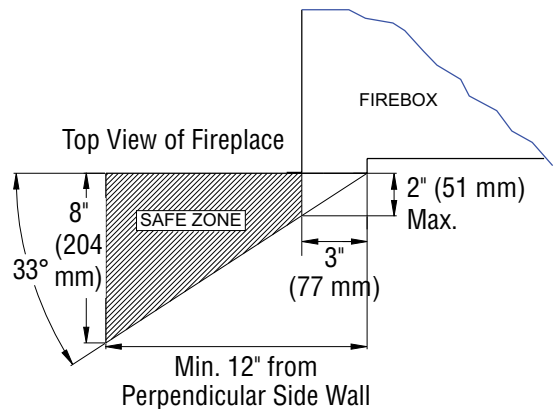
Mantels or any other combustible material may come up to side edge of black metal face of fireplace if projection from front face falls within limits shown in *Figure 6*.



**Figure 4 - Mantel Clearances to Combustible Material (with Louver)**



**Figure 5 - Mantel Clearances to Combustible Material (without Louver)**



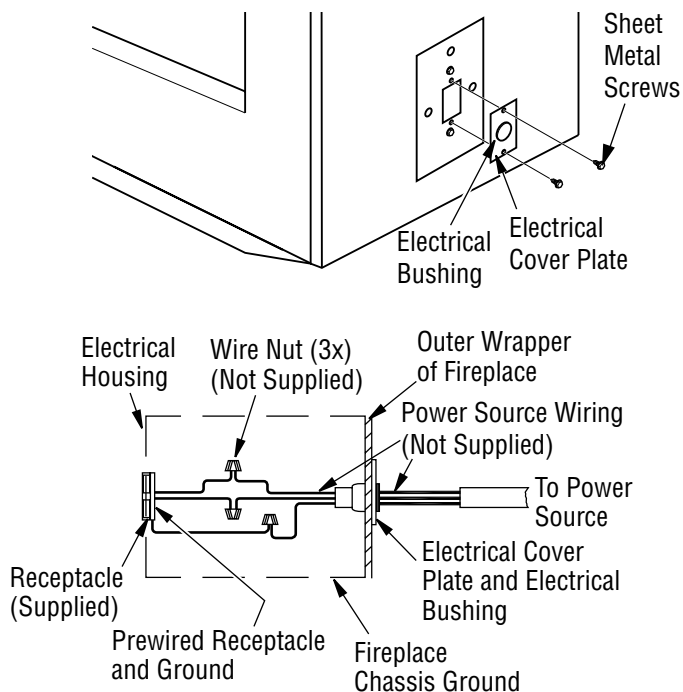
**Figure 6 - Side Mantel Clearance**

## FIREPLACE INSTALLATION *Continued*

### FAN/BLOWER KIT ASSEMBLY (FOR CIRCULATING MODELS ONLY)

Fan or blower kit is optional with this fireplace (for circulating models only). Use of blowers or fans other than those manufactured by IHP voids warranty. Blower is operated by turning control knob (not shown).

Fan/blower kit electrical connections are made through electrical cover plate on side of fireplace as shown in **Figure 7**.



**Figure 7 - Fan Switch-Electrical Bushing**

### Wiring Instructions

1. Remove electrical cover plate with bushing from fireplace by removing 2 sheet metal screws as shown in **Figure 7**.
2. Slide power source wiring through electrical bushing opening and electrical cover plate and make all necessary connections.
3. Slide all wiring connections in electrical housing as shown in **Figure 7**.

4. Secure electrical cover plate with screws previously removed.

**NOTE:** Electrical housing and cover plate have sharp edges. Wear protective gloves.

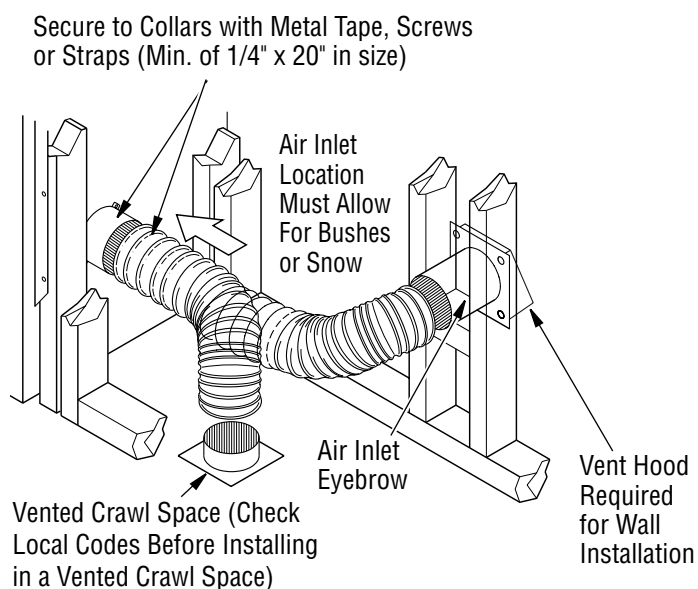
## VENTING INSTALLATION

### OPTIONAL OUTSIDE AIR KIT (MODEL AK4/AK4F)

Installation of outside air kit should be performed during rough framing of fireplace due to the nature of its location. Outside combustion air is accessed through a vented crawl space (AK4F) or through a sidewall (AK4). See **Page 14** for instructions of operating air kit.

**⚠ CAUTION: Combustion air inlet ducts shall not terminate in attic or garage space.**

**The maximum height for the air vent can not exceed 3 feet below the flue gas outlet of the termination.**



**Figure 8 - Outside Air Kit**

### CHIMNEY PIPE

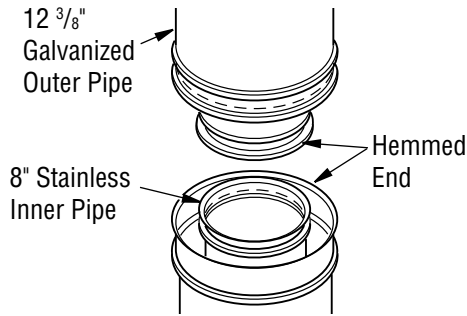
**⚠ WARNING: Label part number 900599-01 must be applied by the installer to all chimney pipe sections but is not required on sections that will be visible after the installation is complete. Label must wrap around the circumference of the pipe. See accessories, Page 20 for Kit F2659.**

An IHP chimney system consists of 12", 18", 24", 36" and 48" snap-lock, double-wall pipe segments, planned for maximum adaptability to individual site requirements. Actual lengths gained after fitting overlaps must be taken into consideration (lineal gain) and are given in lineal gain chart (see **Figure 9, Page 8**).

Lineal gain is actual measurable length of a part after two or more parts are connected.

## VENTING INSTALLATION *Continued*

**⚠ WARNING:** The opening in collar around chimney at top of fireplace must not be obstructed. Never use blown insulation to fill chimney enclosure.



**Figure 9 - Lineal Gain**

### ASSEMBLY AND INSTALLATION OF DOUBLE WALL CHIMNEY SYSTEM

SS-8DM starter section must be installed first.

Each double wall chimney section consists of a galvanized outer pipe, a stainless steel inner flue pipe and a wire spacer. Pipe sections must be assembled independently as chimney is installed. When connecting chimney directly to fireplace, inner flue pipe section must be installed first with lanced side up. Outer pipe section can then be installed over flue pipe section with hemmed end up. Press down on each pipe section until lances securely engage hem on fireplace starter. Wire will assure proper spacing between inner and outer pipe sections.

**NOTE:** For Canada, use chimney parts designated HT.

**⚠ Opening in collar around chimney at top of fireplace must not be obstructed. Never use blown insulation to fill chimney enclosure.**

Continue to assemble chimney sections as outlined, making sure that both inner and outer pipe sections are locked together. When installing double wall snap-lock chimney together, it is important to assure joint between chimney sections is locked. Check by pulling chimney upward after locking. Chimney will not come apart if properly locked. It is not necessary to add screws to keep chimney together (exception - see **Figure 12, Page 10**).

The height of a vertical chimney pipe supported **ONLY** by the fireplace, must not exceed 20 feet. Chimney heights above 20 feet must be supported.

### USING ELBOW SET OFFSET/RETURN 30E-12DMO-8DMR CATALOG NO. F1908

To clear overhead obstructions, you may offset your chimney system using 30E-12DMO-8DMR 30° Offset/return elbow.

A section or sections of chimney may be used between offsets and return elbow. Starter section must be used after elbow offset is attached.

1. To achieve desired offset, you may install combinations of 12", 18", 24", 36" and 48" length of double wall pipe (*see offset chart, Page 10*).

**NOTE:** For systems with 2 elbow sets, minimum height is 22 feet. Maximum height for any system is 50 feet.

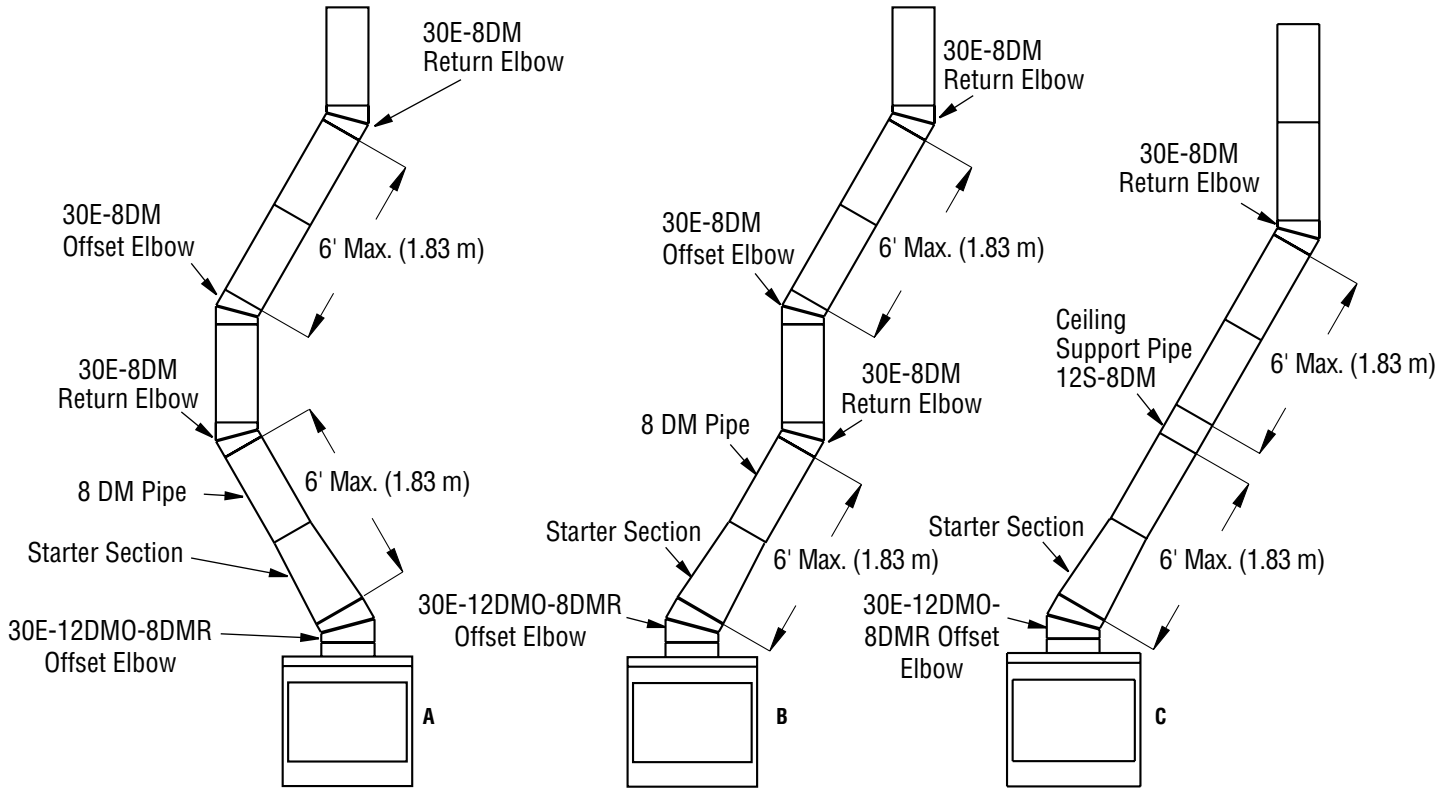
2. Chimney weight above offset rests on return elbow. Straps must be securely nailed to rafters or joists (*see Figure 11, details A and B, Page 9*).
3. Maximum length of pipe between supports (return elbow or 12S-8DM) is 6' of angle run. Maximum of two 6' angle run sections per chimney system (*see Figure 10, Page 9*).
4. All pipe connections between offset and return must be secured with two screws on outer pipe only (*see Figure 12, Page 10*). Do not penetrate inner stainless.

LINEAL GAIN			
CATALOG NO.	PART NO.	DESCRIPTION	GAIN
	42"	Fireplace	45"
F1907	SS-8DM	Starter Section	19"
F0895 F0881	12-8DM 12-8HT	Pipe Section	10 5/8"
F0896 F0882	18-8DM 18-8HT	Pipe Section	16 5/8"
F0897 F0883	24-8DM 24-8HT	Pipe Section	23 5/8"
F0898 F0884	36-8DM 36-8HT	Pipe Section	34 5/8"
F0899 F0885	48-8DM 48-8HT	Pipe Section	46 5/8"
F0916	RT-8DM	Round Termination	6 7/8**
J2280	RTL-8DM	Round Termination	7 3/4**
F0918	RLT-8DM	Round Termination	7 1/2**
F0917	RTT-8DM	Round Termination with Slip Section	6 7/8" to 23 1/8**
J2287	RTTL-8DM	Round Termination with Slip Section	8 1/2" to 21 1/2**
F0919	RLTT-8DM	Round Termination with Slip Section	7 1/2" to 21 1/4**
F0920	ET-8DM	Square Chase-Top	12**
F0922	ETO-8DM	Square Chase-Top with Mesh	12**
F0921	ETL-8DM	Square Chase-Top with Slip Section	7" to 15**
F0923	ETLO-8DM	Square Chase-Top with Mesh & Slip Section	12" to 25 1/2**

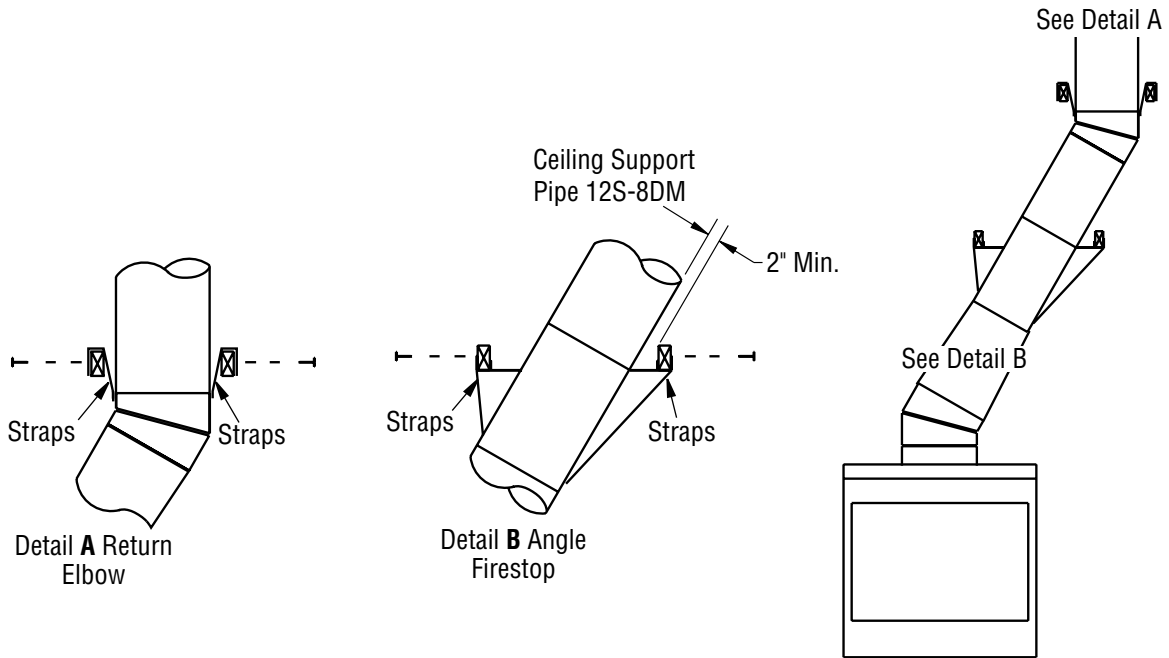
\* The lineal gain for the terminations is measured to the flue gas outlet height.



**VENTING INSTALLATION *Continued***



**Figure 10 - Typical Offset Installation**

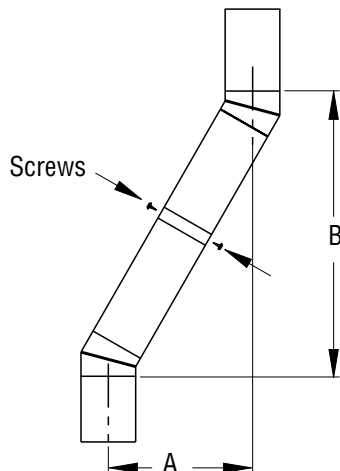


**Figure 11 - Ceiling Support Pipe 12S-8DM**

## VENTING INSTALLATION *Continued*

OFFSET CHART WITH TRANSITION PIPE

OFFSET A	RISE B	OFFSET/ RETURN ELBOW	TRANSITION PIPE	CHIMNEY LENGTH			
				12"	18"	36"	48"
13 3/4"	32 1/2"	1	1				
19"	41"	1	1	1			1
22"	46 3/4"	1	1		1		
24 1/2"	50 3/4"	1	1	2			
27 1/2"	56"	1	1	1	1		
30 1/4"	61"	1	1		2		
31"	62 1/2"	1	1			1	
32 1/2"	65"	1	1	2	1		
35 1/2"	70 1/4"	1	1	1	2		
36 1/4"	71 1/2"	1	1	1		1	
37"	72 3/4"	1	1				1
38 1/2"	75 1/2"	1	1		3		
39 1/4"	76 3/4"	1	1		1	1	
41 1/2"	80 1/2"	1	1	2		1	
42 1/4"	81 3/4"	1	1	1			1
44 1/2"	85 3/4"	1	1	1	1	1	
45 1/4"	87"	1	1		1		1
47 1/2"	91"	1	1		2	1	
48 1/4"	92 1/4"	1	1			2	
49 3/4"	94 3/4"	1	1	2	1	1	
52"	98 3/4"	1	1	1	4		
53 1/2"	101 1/4"	1	1	1		2	
54 1/4"	102 3/4"	1	1			1	1
55 3/4"	105 1/4"	1	1		3	1	
56 1/2"	106 1/2"	1	1		1	2	
58 3/4"	110 1/2"	1	1	2		2	
59 1/2"	111 3/4"	1	1	1		1	1
60 1/4"	113"	1	1				2
61 3/4"	115 3/4"	1	1	1	1	2	
64 3/4"	120 3/4"	1	1		2	2	
65 1/2"	122 1/4"	1	1	1			2
67"	124 3/4"	1	1	2	1	2	



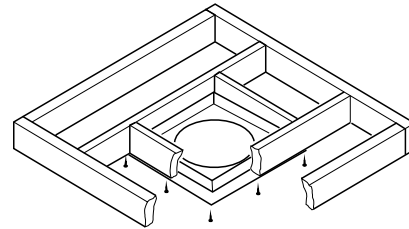
**Figure 12 - Elbow Offset**

### FIRESTOP SPACERS (3600FS-8DM-1)

Firestop spacers are required at each point where chimney penetrates a floor space. Their purpose is to establish and maintain required clearance between chimney and combustible materials. When pipe passes through a framed opening into a living space above, firestop must be placed onto ceiling from below as shown in **Figure 13**.

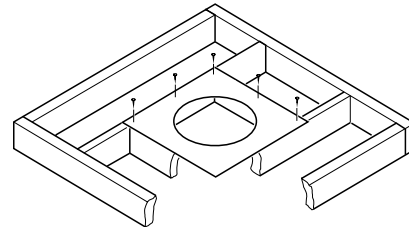
They also provide complete separation from one floor space to another or attic space as required by most codes. When double wall pipe passes through a framed opening into an attic space, firestop must be placed into an attic floor as shown in **Figure 14, Page 12**.

If area above is a living space, install firestop below framed hole.



**Figure 13 - Firestop Spacer with Living Space Above Ceiling**

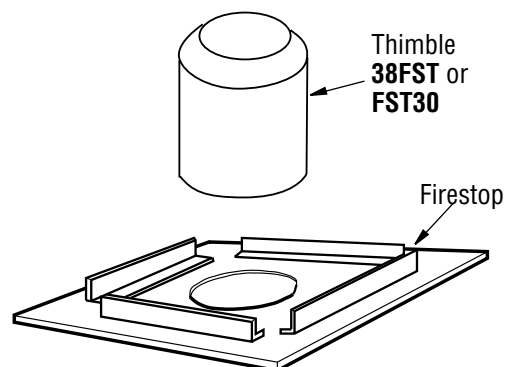
If area above is an attic or insulated area, install firestop above framed hole.



**Figure 14 - Firestop Spacer with Attic Space Above Ceiling**

#### IMPORTANT NOTICE

**When penetrating a ceiling into an attic, a firestop thimble (38FST or FST30) is required to avoid intrusion by insulation and recommended to negotiate a joist (see Figure 14a).**



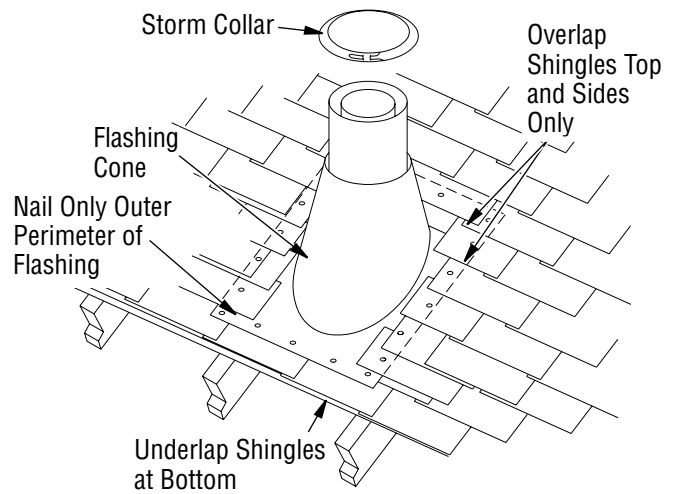
**Figure 14a - Firestop Thimble**

## VENTING INSTALLATION *Continued*

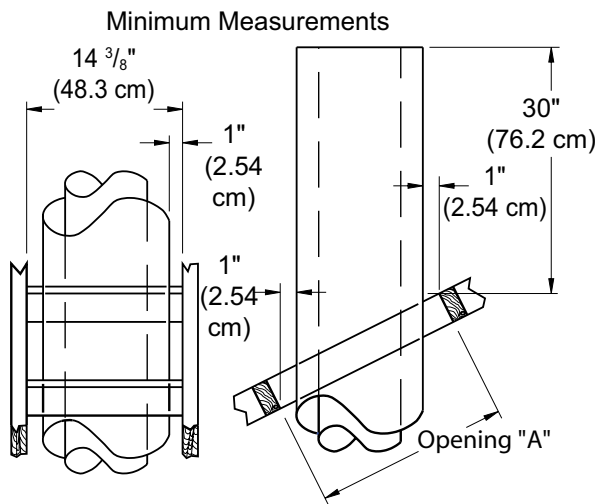
### PENETRATING ROOF

To maintain a 1" clearance to pipe on a roof with a pitch, a rectangular opening must be cut.

1. Determine center point where pipe will penetrate the roof.
2. Determine center point of the roof. Pitch is the distance the roof drops over a given span, usually 12". A 6/12 pitch means that the roof drops 6" for each 12" measure horizontally down from roof rafters.
3. Use roof opening chart (**Figure 15**) to determine correct opening length and flashing required.
4. Remove shingles around opening measured. Cut out this section.
5. Add next sections of pipe until end penetrates roof line. Check to see that proper clearances are maintained. Extend chimney by adding sections of double wall pipe until pipe is minimum of 30" above highest point of roof cutout. Termination and chimney must extend a minimum of 36" above highest point where it passes through roof.



**Figure 16 - Flashing Installation**



Pitch	Slope	Opening "A" Max.	Used Flashing Model No.
Flat	0°	15"	V6F-8DM
0-6/12	26.6°	16 1/8"	V6F-8DM
6/12- 12/12	45.0°	20 3/8"	V12F-8DM

**Figure 15 - Roof Opening Measurements**

### FLASHING INSTALLATION (V6F-8DM OR V12F-8DM)

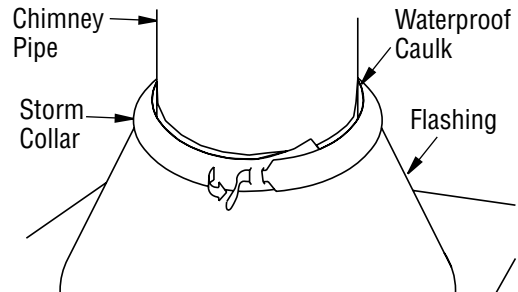
Determine flashing to be used with roof opening chart. Slide flashing over pipe until base is flat against roof. Replace as many shingles as needed to cover exposed area and flashing base. Secure in position by nailing through shingles (*see Figure 16*). DO NOT NAIL THROUGH FLASHING CONE.

### Installing Flashing on a Metal Roof

When installing flashing on a metal roof, it is required that putty tape be used between flashing and roof. Flashing must be secured to roof using #8 x 3/4" screws and then sealed with roof coating to prevent leakage through screw holes. A roof coating must also be applied around perimeter of flashing to provide a proper seal.

### Storm Collar Installation (SC1)

Place storm collar over pipe and slide down until it is snug against open edge of flashing (*see Figure 17*). Use SC1 for all round terminations. Apply waterproof caulk around perimeter of collar to provide a proper seal.



**Figure 17 - Storm Collar**

### Terminations/Spark Arrestor

Fireplace system must be terminated with listed round top or chase terminations. In any case, refer to installation instructions supplied with termination. Terminations approved for this fireplace are RT-8DM and RLT-8DM that can be used for flashing or chase and ET-8DM, ETO-8DM, ETL-8DM and ETLO-8DM for chase style termination only. Figure 18 shows an RLT-8DM round top termination.

**⚠ CAUTION: Do not seal openings on the rooftop flashing. Follow the installation instructions provided with the termination being used.**

Terminations with 16" slip pipe sections are available. RTT-8DM and RLTT-8DM are approved for flashing installations. When needed, these adjustable terminations may be used in combination with pipe assembly to achieve correct chimney height.

**NOTE:** In the rare instance there is a problem with side driven rain or wind or chimney is not drafting properly, an ADS-8DM (Anti-Draft Shield) can be used with round terminations.

## VENTING INSTALLATION *Continued*

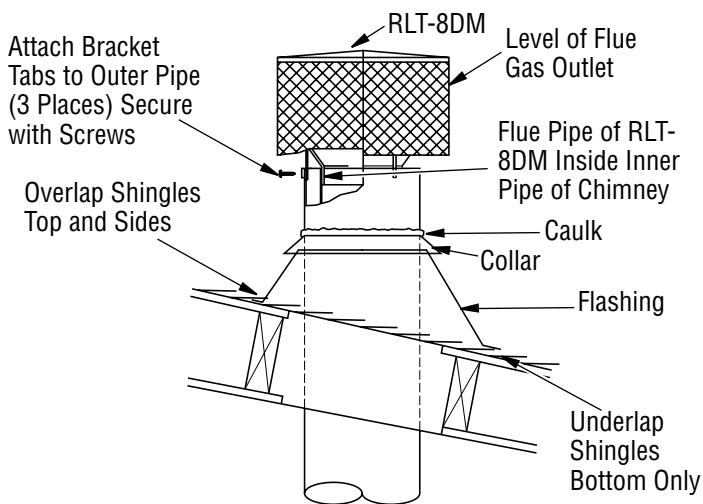


Figure 18 - Termination

### CHASE INSTALLATIONS

Instructions for chase installations are included with chase style termination chosen. In a multiple chase installation, be sure to provide adequate distance between terminations to prevent smoke spillage from one termination to another. We suggest that terminations be separated at least 24", center to center and stacked at a vertical height difference of 18" (see Figure 19).

**NOTE:** If a decorative shroud is to be installed, contact manufacturer for specifications.

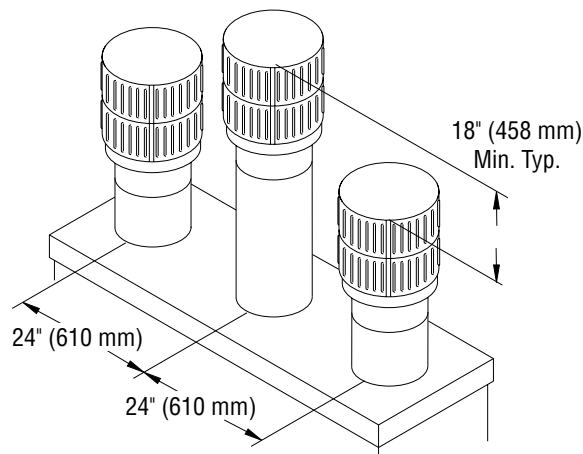


Figure 19 - Multiple Chase Installation

### 10 FOOT RULE

All flue gas outlet chimney terminations must extend a minimum of 3 feet in height above highest point where it passes through roof and must be at least 2 feet above highest point of the roof that is within a horizontal distance of 10 feet (see Figure 20).

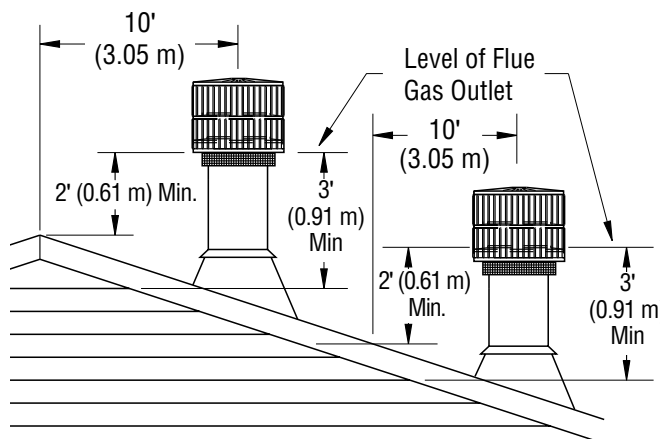


Figure 20 - 10 Foot Rule

### FINISHING FIREPLACE

Combustible materials, such as wallboard, sheet rock, drywall, plywood, etc., may make direct contact with sides and top around fireplace face. It is important that combustible materials do not overlap face itself. Brick, glass, tile or other noncombustible materials may overlap front face provided they do not obstruct essential openings such as louvered slots. When overlapping with a noncombustible facing material, use only noncombustible mortar or adhesive.

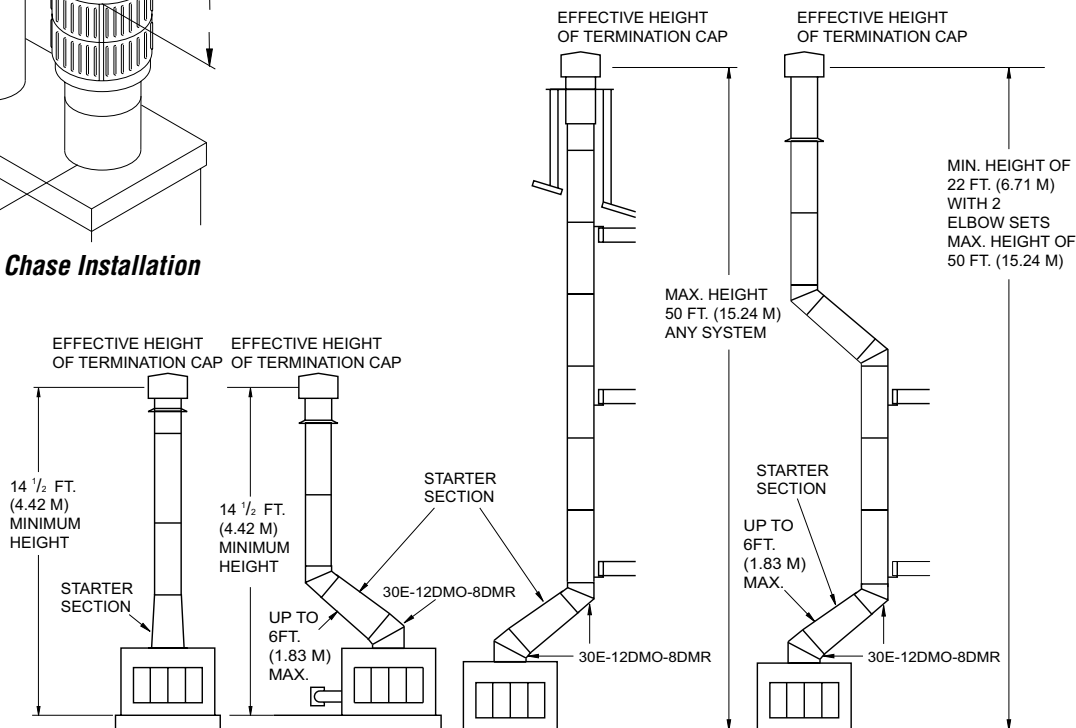


Figure 21 - Typical Residential Installations

## OPTIONAL GAS LINE INSTALLATION

A gas line or gas log lighter may be installed for the purpose of installing a vented or vent-free decorative gas appliance incorporating an automatic shutoff device and complying with the Standard for Decorative Gas Appliances for Installation in Vented Fireplaces, ANSI Z21.60 or American Gas Association draft requirements for Gas Fired Log Lighters for Wood Burning Fireplaces, Draft NO. 4 dated August, 1993.

If you wish to install an unvented (vent-free) gas log set, only unvented gas log sets which have been found to comply with the standard for unvented room heaters, ANSI Z21.11.2 are to be installed in this fireplace.

Gas line hook up should be done by your supplier or a qualified service person.

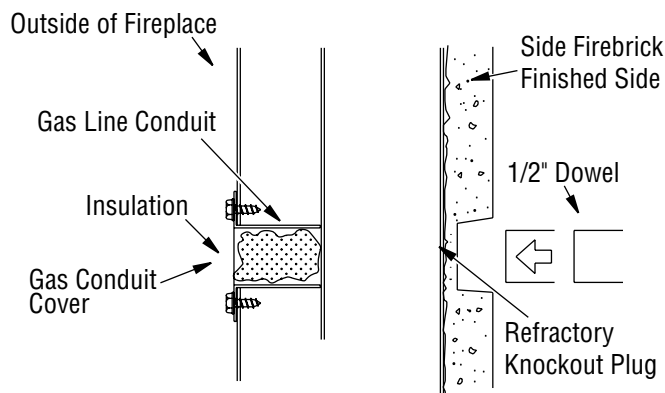
**NOTE:** Before you proceed, make sure your gas supply is turned off. Use only a 1/2" black iron pipe and appropriate fittings.

1. Remove knockout indentation on refractory or firebrick wall located above refractory hearth floor. Knockout indentation must be firmly tapped with any solid object, such as a 1/2" dowel, until it is released. Remove fragmented portions of refractory (see **Figure 22**).
2. Remove gas line cover plate located on either side of fireplace and pull out insulation from gas line conduit sleeve. Save insulation for reuse.
3. Run a 1/2" black iron gas line into fireplace through rear at gas line conduit sleeve (if using a raised platform, add height). Provide sufficient gas line into fireplace chamber for fitting connection (see **Figure 23**).

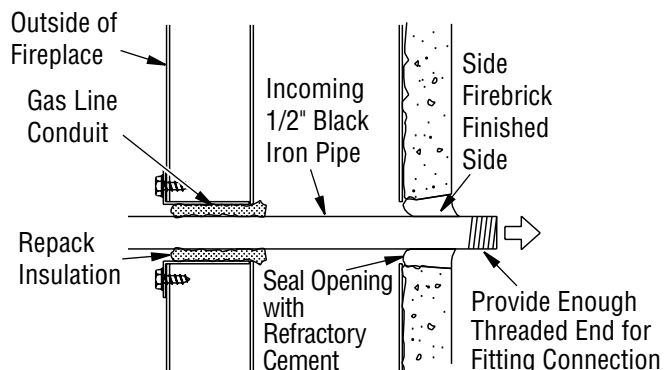
**NOTE:** Secure incoming gas line to wood framing to provide rigidity for threaded end.

4. Repack insulation around gas line and into sleeve opening. Seal any gaps between gas line and refractory knockout hole with refractory cement or commercial furnace cement. Install gas appliance or cap gas line if desired.

If you install a decorative gas appliance (vented gas log), decorative gas appliance must comply with the Standard for Decorative Gas Appliance for Installation in Solid Fuel Burning Fireplaces, ANSI Z21.60/CSA 2.26 or Z21.84 and shall also be installed in accordance with ANSI Z223.1/NFPA 54 National Fuel Gas Codes (USA) and CAN/CGA-B149.1 National Gas And Propane Installation Code (Canada).



**Figure 22 - Gas Line Knockout**



**Figure 23 - Gas Line Installation**

**CAUTION:** All gas piping and connections must be tested for leaks after installation is completed. After ensuring that gas valve is on, apply soap and water solution to all connections and joints. Bubbles forming show a leak. Correct all leaks at once. DO NOT USE AN OPEN FLAME FOR LEAK TESTING AND DO NOT OPERATE ANY APPLIANCE IF A LEAK IS DETECTED. LEAK TESTING SHOULD BE DONE BY A QUALIFIED SERVICE PERSON.

**NOTE:** An IHP hood must be installed when using an unvented gas log set (see *Accessories* on **Page 20**).

**WARNING:** Do not operate an unvented gas log set in this fireplace with chimney removed.

**WARNING:** To avoid the risk of damaging fireplace materials and increasing the risk of spreading a fire, do not use fireplace to cook or warm food.

**WARNING:** If the fireplace has been used for wood burning, firebox and chimney must be cleaned of soot, creosote and ashes by a qualified chimney cleaner. Creosote will ignite if heavily heated.

**WARNING:** When using a decorative vented gas log, damper must be removed or permanently locked in fully open position and glass doors must be in fully open position.

## OPERATION AND MAINTENANCE

### GLASS DOORS

Glass doors are optional with this fireplace. When fireplace is in operation, doors must be fully opened or fully closed position only or a fire hazard may be created (see **Figure 24**).

A fireplace equipped with glass doors operates much differently than a fireplace with an open front. A fireplace with glass doors has a limited amount of air for combustion. Excessive heat within fireplace can result if too large a fire is built or if combustion air gate is not completely open.

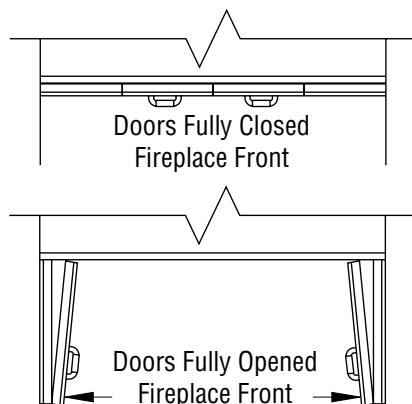
The following tips should be used to assure that both fireplace and glass door retain their beauty and function properly. Both the flue damper and glass doors must be fully opened before starting a fire. This will provide sufficient combustion air and maintain safe temperatures in firebox.

**IMPORTANT:** The glass must be allowed to warm slowly and evenly. Tempered glass will withstand a gradual temperature rise to 550° F, which is more than a normal fire will generate. Such materials as pitch/wax laden logs, very dry mill end lumber and large amounts of paper or cardboard boxes can create an excessively hot fire and should not be burned in this fireplace. Always keep fire back from doors and never allow flames to contact glass.

**WARNING: FIREPLACES EQUIPPED WITH DOORS SHOULD BE OPERATED ONLY WITH DOORS FULLY OPEN OR DOORS FULLY CLOSED. IF DOORS ARE LEFT PARTLY OPEN, GAS AND FLAME MAY BE DRAWN OUT OF THE FIREPLACE OPENING, CREATING RISKS OF BOTH FIRE AND SMOKE.**

**WARNING: Discontinue use of the appliance immediately if doors are damaged and contact a qualified installer for repair. Only doors certified with the appliance shall be used.**

**WARNING: Do not slam or strike doors. Damage can result in a hazardous condition.**



**Figure 24 - Glass Doors**

### Cleaning Glass

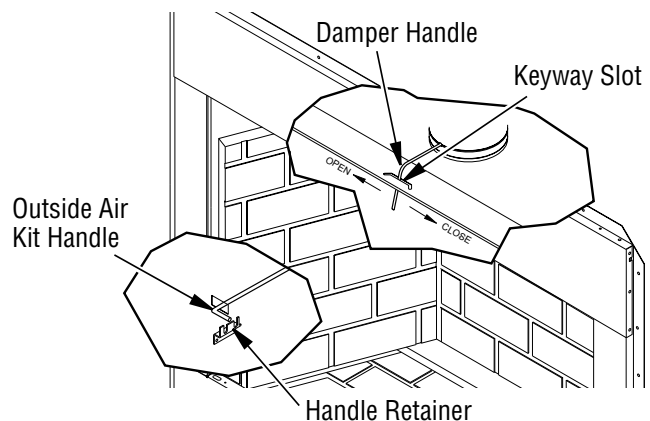
Clean glass with any commercial glass cleaner or soap and water. Do not use any abrasive material to clean the glass. Do not clean glass with any cool water if glass is still hot from fire and smoke.

**WARNING: Risk of fire! Replace grate with IHP cat. no. J4382 only. This grate has been designed to keep the operation of your fireplace safe and efficient.**

### OUTSIDE AIR AND DAMPER HANDLE OPERATION

The damper handle, which opens and closes the damper blade, is located in upper front face of fireplace. Pushing handle into the left of keyway slot will free damper blade to automatically open. Pushing handle into the right will lock damper blade closed (see **Figure 25**).

Outside air kit handle is located at left hand side of fireplace (see **Figure 25**). Pulling handle out will free outside air door to open. Pushing handle in will lock door closed.

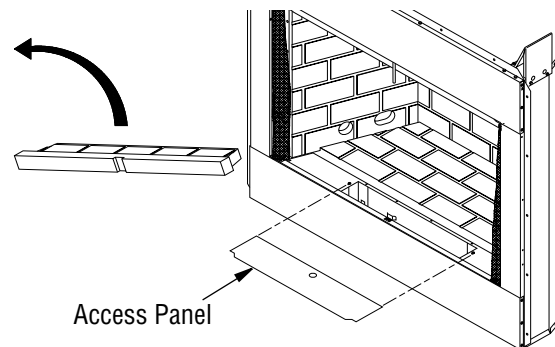


**Figure 25 - Damper and Air Kit Handle**

### LOCATING ACCESS COVER PLATE

Sheet metal cover plates located underneath hearth refractory may have shifted or moved out of place while fireplace was in transit. These cover plates must be kept in the proper location prior to using the fireplace (See **Figure 26**).

For further operating guidelines, instructions and warranty information, please refer to your homeowner's guide or contact your dealer.



**Figure 26 - Locating Access Cover Plate**

**NOTE:** Two piece hearth shown above. Some models have a single piece hearth that will require removal of the rear and side panels prior to removal of hearth refractory.

## REPLACEMENT PARTS

See **Pages 16 to 18** for a complete replacement parts list. Use only parts supplied from the manufacturer.

Normally, all parts should be ordered through your IHP distributor or dealer. Parts will be shipped at prevailing prices at time of order.

When ordering repair parts, always give the following information:

1. The model number of the fireplace.
2. The serial number of the fireplace.
3. The part number.
4. The description of the part.
5. The quantity required.
6. The installation date of the fireplace.

If you encounter any problems or have any questions concerning the installation or application of this fireplace, please contact your dealer.

**IHP**  
**1769 East Lawrence Street**  
**Russellville, AL 35654**  
**Visit us at [SuperiorFireplaces.us.com](http://SuperiorFireplaces.us.com)**

## TECHNICAL SERVICE

You may have further questions about installation, operation, or troubleshooting. Please contact your IHP dealer for any questions or concerns. When contacting your dealer please have your model and serial numbers of your fireplace ready. You can also visit our web site at **[SuperiorFireplaces.us.com](http://SuperiorFireplaces.us.com)**

## IMPORTANT NOTICES - CANADA

### IMPORTANT NOTICE

**A manufactured shroud which has been approved by a national testing agency for use with this fireplace may be used if installed in accordance with the instructions by its manufacturer. A locally fabricated shroud may be used with IHP Shroud Leg Spacer Kit (SLK) in accordance with instructions provided with the shroud.**

**NOTICE: The firebox canopy (hood) must not be modified or replaced with a canopy that may be provided with the unvented decorative room heater.**

**CAUTION: THE STRUCTURAL INTEGRITY OF THE MANUFACTURED HOME FLOOR, WALL, AND CEILING/ROOF MUST BE MAINTAINED.**

** WARNING: DO NOT INSTALL IN SLEEPING ROOM OF MOBILE HOMES.**

Canadian code CAN/ULC-S610-M87 and other pertinent codes require stainless steel chimney for the installation of this fireplace. A Cold Air Climate Kit is also required in Canada and is recommended for cooler regions in the United States. Below, find a list of approved stainless steel parts.

### Chimney Parts List for Canada

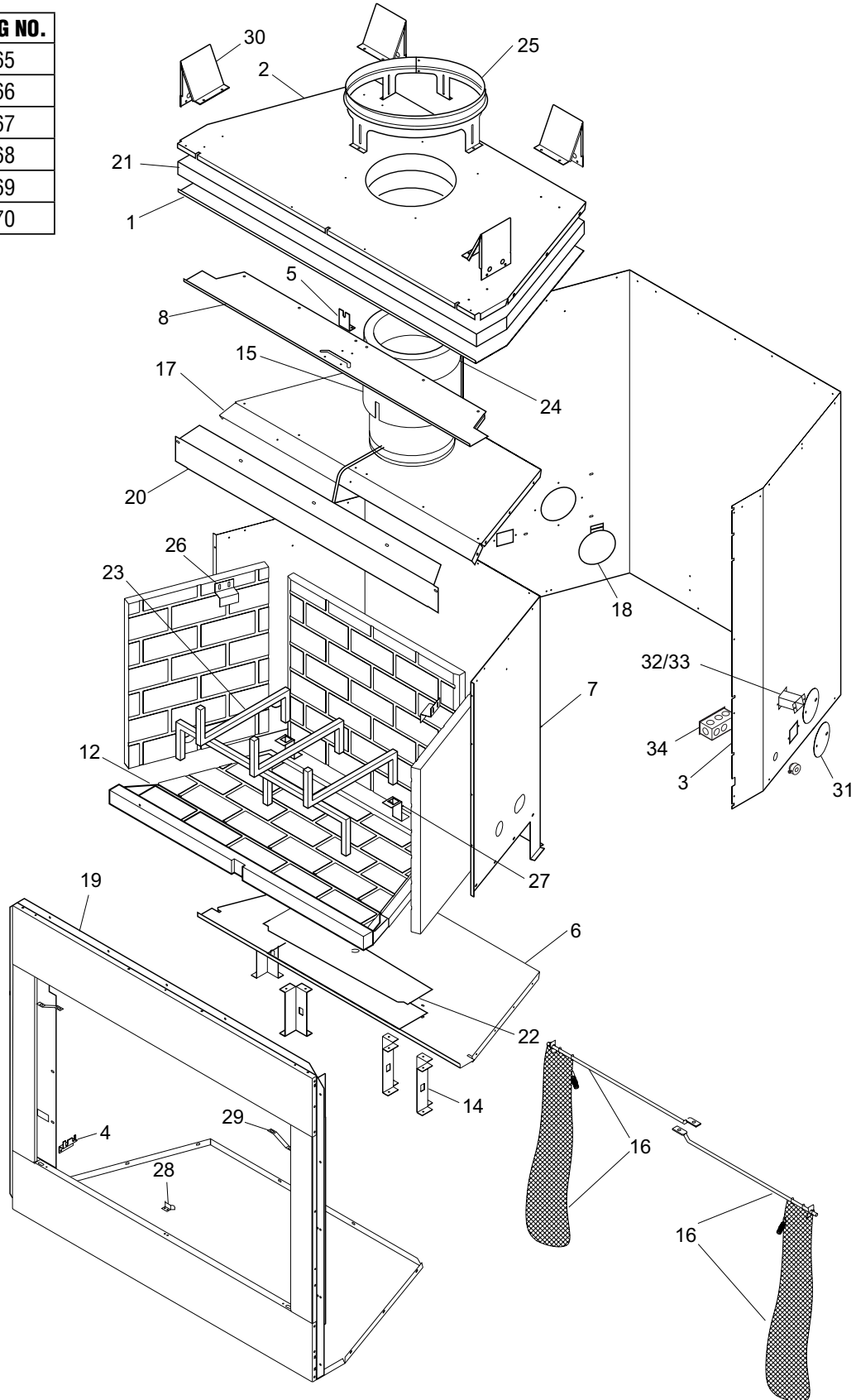
Catalog No.	Model No.	8" Hi-Temp Wood burning Chimney
F0881	12-8HT	12" Section Hi-Temp Double Wall Pipe Snap Lock
F0882	18-8HT	18" Section Hi-Temp Double Wall Pipe Snap Lock
F0883	24-8HT	24" Section Hi-Temp Double Wall Pipe Snap Lock
F0884	36-8HT	36" Section Hi-Temp Double Wall Pipe Snap Lock
F0885	48-8HT	48" Section Hi-Temp Double Wall Pipe Snap Lock
F0886	30E-8HT	30 Degree Hi-Temp Offset and Return
F0887	12S-8HT	Hi-Temp Chimney Support (For Use With Chimney Heights In Excess of 30')
F0888	RT-8HT	Hi-Temp Round Top with Mesh Screen
F0889	RTT-8HT*	Hi-Temp Round Top with Mesh Screen and Slip Section
F0890	RLT-8HT	Hi-Temp Round Top with Louvered Screen
F0891	RLTT-8HT*	Hi-Temp Round Top with Louvered Screen and Slip Section
F0892	ET-8HT*	Hi-Temp Pyramid Top with Slip Section
F0893	ETL-8HT*	Hi-Temp Large Pyramid Top with Slip Section (use with all 8" systems)
F0894	AP-8HT	Hi-Temp Anchor Plate/Collar Assembly (for masonry fireplaces)
F0929	CAK-8	Cold Air Collar Kit - 8" Chimney

\*When ordered alone, this part cannot ship via parcel delivery services.

# PARTS

WOOD BURNING FIREPLACE MODELS:

MODEL NO.	CATALOG NO.
WRT3042WS	F0665
WRT3042WSI	F0666
WRT3042WH	F0667
WCT3042WS	F0668
WCT3042WSI	F0669
WCT3042WH	F0670





## PARTS

### WOOD BURNING FIREPLACE MODELS

This list contains replaceable parts used in your fireplace.

**⚠ WARNING: Contact an IHP dealer to obtain any of these parts. Never use substitute materials not approved by IHP. Use of non-approved parts can result in poor performance and safety hazards.**

KEY NO.	CATALOG NO.	DESCRIPTION	WRT3042WS		WCT3042WS		QTY.
			WRT3042WSI	WCT3042WSI	WRT3042WH	WCT3042WH	
1	**	Insulation Pan	•	•	•	•	1
2	**	Fireplace Top	•	•	•	•	1
3	**	Fireplace Surround	•	•	•	•	1
4	J3946	Air Rod Retainer	•	•	•	•	1
5	**	Damper Rod Retainer	•	•	•	•	1
6	**	Firebox Bottom	•	•	•	•	1
7	**	Firebox Surround	•	•	•	•	1
8	**	Air Separator	•	•	•	•	1
12	F4845	Refractory Kit, 42" White Stacked	•	•	N/A	N/A	1
	F4844	Refractory Kit, 42" White Herringbone	N/A	N/A	•	•	1
14	**	Firebox Support Leg	•	•	•	•	4
15	**	Damper Can Collar	•	•	•	•	1
16	J8008	Screen Assembly Kit	•	•	•	•	1
17	**	Firebox Top Assembly	•	•	•	•	1
18	**	Air Kit Door Assembly	•	•	•	•	1
19	**	Face Weldment	•	•	•	•	1
20	J4080	Smoke Deflector	•	•	•	•	1
21	**	Fireplace Top Insulation	•	•	•	•	1
22	**	Access Panel	•	•	•	•	1
23	J4382	Grate	•	•	•	•	1
24	**	Collar Insulation	•	•	•	•	1
25	J8014	Chimney Starter Collar	•	•	•	•	1
26	J6895	Refractory Retainer	•	•	•	•	2
27	J7003	Grate Retainer	•	•	•	•	2
28	**	Door Stop	•	•	•	•	1
29	J6905	Spring Clip	•	•	•	•	2
30	J6918	Top Standoff	•	•	•	•	4
31	J6934	Conduit Plate Cover	•	•	•	•	4
32	J7035	Gas Conduit	•	•	•	•	2
33	J4387	Electrical Duct Assembly	•	•	•	•	1
34	F1907	SS-8DM - Starter Section 12" to 8" DM C-42	•	•	•	•	1
<b>PARTS AVAILABLE NOT SHOWN</b>							
	J7588	Louver Assembly 42 (Circulating Models only)	N/A	•	N/A	•	2
	J6906	Ember Protecto	•	•	•	•	2

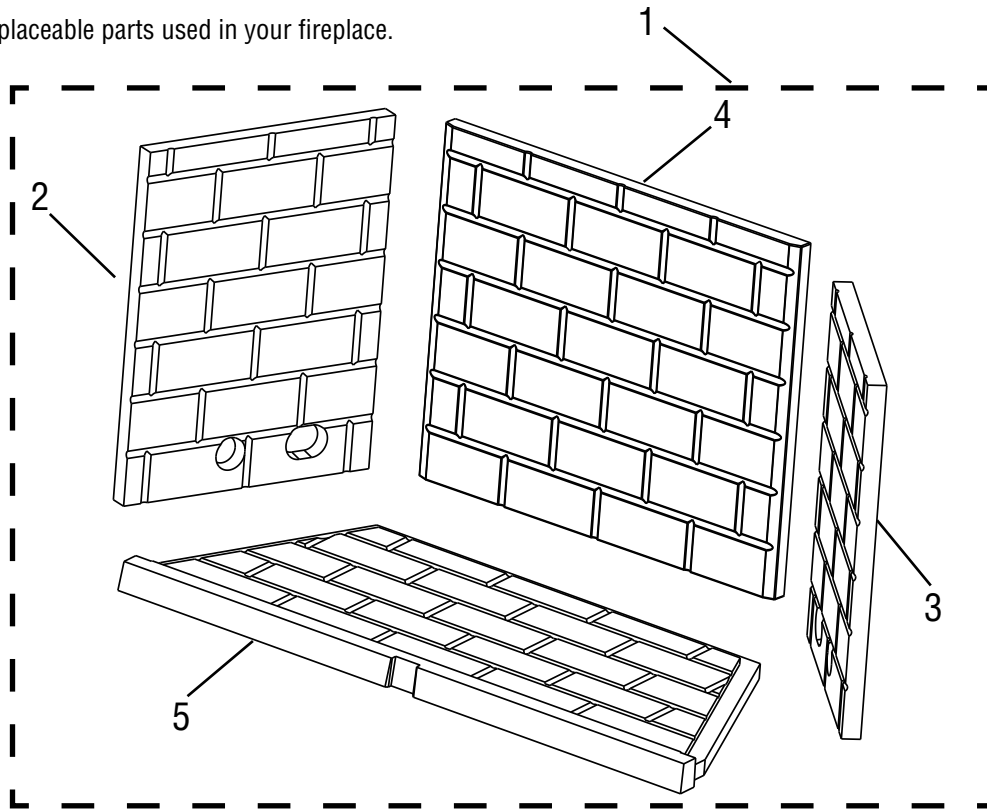
\*\* Not a field replaceable part

**NOTE:** Top and bottom louvers are the same size for their respective box size. When ordering catalog No. J7588, is for one each louver assembly. If you need top and bottom, must order 2 each.

**NOTE:** The louvers are removable by means of 2 spring hinge assemblies on both sides of the louver. Pull spring hinges towards the center of the louver to remove louver from front face.

## PARTS *Continued*

This list contains replaceable parts used in your fireplace.



**Stacked Refractory Shown**

WRT3042WS  
(F0665)

WRT3042WSI  
(F0666)

WRT3042WH WCT3042WS  
(F0667) (F0668)

WCT3042WH WCT3042WSI  
(F0670) (F0669)

KEY NO.	CAT. NO.	DESCRIPTION		QTY.
1	F4844	30 series White Herringbone Refractory Set 42"	•	1
2	---	Refractory, Left	•	1
3	---	Refractory, Right	•	1
4	---	Refractory, Rear	•	1
5	---	Refractory, Bottom	•	1
1	F4845	30 series White Stacked Refractory Set 42"	•	1
2	---	Refractory, Left	•	1
3	---	Refractory, Right	•	1
4	---	Refractory, Rear	•	1
5	---	Refractory, Bottom	•	1

**⚠ WARNING:** Contact an IHP dealer to obtain any of these parts. Never use substitute materials not approved by IHP. Use of non-approved parts can result in poor performance and safety hazards.

## ACCESSORIES

### REFRACTORY STAIN KITS

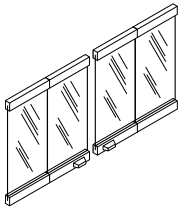
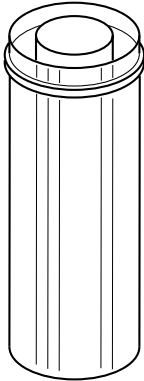

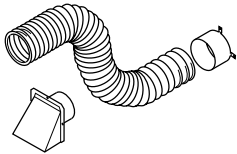
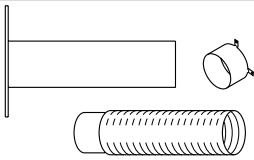

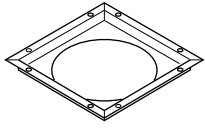
Use the refractory stain kits to give white refractory panels a new look. Kit includes foam roller handle, paint tray, and one can of stain. Available stain colors are creamer (ivory), Rust (terra cotta), and Cappuccino (rosy taupe).



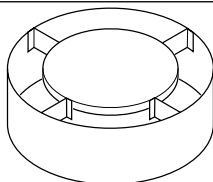
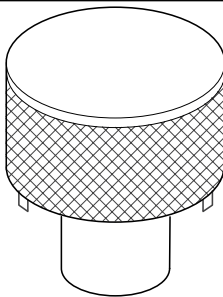
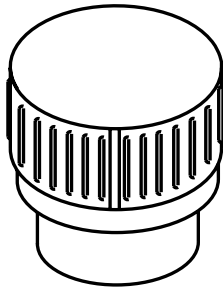
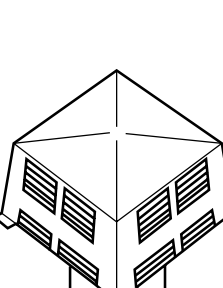
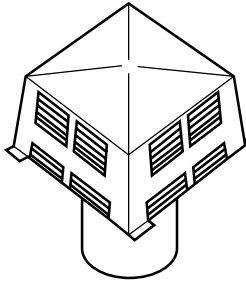
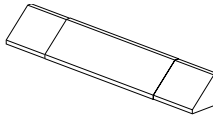
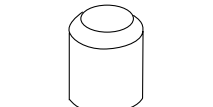
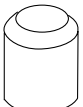
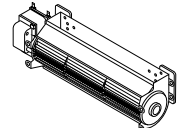


CAT NO.	MODEL	DESCRIPTION
H8176	BSK-CR	Stain Kit (Rfry) 1 Qt. Creamer
H8177	BSK-RT	Stain Kit (Rfry) 1 Qt. Rust
H8178	BSK-CP	Stain Kit (Rfry) 1 Qt. Cappuccino



## ACCESSORIES *Continued*

CAT NO.	MODEL	DESCRIPTION	
<b>BI-FOLD GLASS DOORS</b>			
F0984	BD42	42" Standard Bi-Fold Glass Door - Black finish	
<b>DOUBLE WALL PIPE</b>			
F0895	12-8DM	12" Section Double Wall Pipe Snap Lock	
F0896	18-8DM	18" Section Double Wall Pipe Snap Lock	
F0897	24-8DM	24" Section Double Wall Pipe Snap Lock	
F0898	36-8DM	36" Section Double Wall Pipe Snap Lock	
F0899	48-8DM	48" Section Double Wall Pipe Snap Lock	
F0881	12-8HT	12" Section Hi-Temp Double Wall Pipe Snap Lock	
F0882	18-8HT	18" Section Hi-Temp Double Wall Pipe Snap Lock	
F0883	24-8HT	24" Section Hi-Temp Double Wall Pipe Snap Lock	
F0884	36-8HT	36" Section Hi-Temp Double Wall Pipe Snap Lock	
F0885	48-8HT	48" Section Hi-Temp Double Wall Pipe Snap Lock	
<b>30° OFFSET AND RETURN</b>			
F0900	30E-8DM	30 Degree Offset and Return	
F0886	30E-8HT	30 Degree Hi-Temp Offset and Return	
F1908	30E-12DMO-8DMR	30 Degree Elbow Set 12" to 8"	
F2199	30E-12HTO-8HTR	Elbow Set 12" Offset 8"	
<b>OPTIONAL OUTSIDE AIR KIT FOR FLOOR INSTALLATION</b>			
F1091	AK4	Complete Outside Air Kit w/Collars Hood & 3' Flex	
<b>OPTIONAL OUTSIDE AIR KIT FOR SIDEWALL INSTALLATION</b>			
F1093	AK4F	Outside Air Kit Collar, Hood & 3' Flex for Floor Venting	
<b>STORM COLLAR</b>			
F0915	SC1-1	Storm Collar	
<b>FIRESTOP SPACER</b>			
F0907	3600FS-8DM-1	1" Clearance Firestop Spacer	
<b>ROOF FLASHING</b>			
F0909	V6F-8DM	Roof Flashing 0 to 6/12 Pitch (30" Base)	
F0910	V12F-8DM	Roof Flashing 6/12 to 12/12 Pitch	

## ACCESSORIES *Continued*

<b>ANTI-DRAFT SHIELD (Round Top Termination Only)</b>			
F0927	ADS-8DM	Anti-Draft Shield for Round Top Only	
<b>MESH ROUND TOP TERMINATIONS</b>			
F0916	RT-8DM	Round Top with Mesh Screen	
F0888	RT-8HT	Hi-Temp Round Top with Mesh Screen	
<b>MESH ROUND TOP TERMINATIONS WITH SLIP SECTION</b>			
F0917	RTT-8DM	Round Top with Slip Section & Mesh	
F0889	RTT-8HT	Hi-Temp Round Top w/Mesh Screen and Slip Section	
<b>ROUND TOP TERMINATIONS WITH LOUVERS</b>			
F0918	RLT-8DM	Round Top with Louvered Screen	
F0890	RLT-8HT	Hi-Temp Round Top with Louvered Screen	
<b>ROUND TOP TERMINATIONS WITH LOUVERS W/SLIP SECTION</b>			
F0919	RLTT-8DM	Round Top with Slip Section & Louvers	
F0891	RLTT-8HT	Hi-Temp Round Top w/Lvrd. Screen and Slip Section	
<b>SQUARE TOP TERMINATION WITH LOUVERS</b>			
F0920	ET-8DM	Square Top	
F0892	ET-8HT	Hi-Temp Pyramid Top with Slip Section	
<b>SQUARE TOP TERMINATION WITH LOUVERS AND SLIP SECTION</b>			
F0921	ETL-8DM	Square Top with Slip Section	
F0893	ETL-8HT	Hi-Temp Large Pyramid Top with Slip Section	
<b>MESH SQUARE TOP TERMINATION</b>			
F0922	ETO-8DM	Square Top with Mesh	
<b>MESH SQUARE TOP TERMINATION WITH SLIP SECTION</b>			
F0923	ETLO-8DM	Square Top with Mesh and Slip Section	
<b>ADJUSTABLE HOOD</b> Required when installing a vent-free gas log in this fireplace.			
F1764	GA6050	Black Fireplace Hood	
<b>FIRESTOP THIMBLE</b>			
F0911	38FST	Firestop Thimble ( Use when penetrating a joist)	
F0912	FST30	Firestop Thimble ( Use when offsetting through a joist)	
<b>BLOWER KIT</b>			
F1081	BK	Manual Fan, Variable Speed	
<b>LABEL-UL127-50PK</b>			
F2659	LABEL-UL127-50PK	UL127 Venting Label - 50 PK	

## APPENDIX A

### Draft Requirements

Your wood-burning appliance is dependent upon a properly functioning chimney for optimum performance. It is important to match the wood-burning appliance to the chimney. The chimney has two functions:

1. It draws combustion air into the appliance (without air, no fuel will burn) and
2. It exhausts combustion by-products. Your new appliance is what is known as a “natural draft” appliance.

The appliance depends solely on the natural draft of the chimney system to draw combustion air into the unit. Draft is the force that moves air from the appliance up into the chimney. The amount of draft in your chimney depends on the length of the chimney, local geography, nearby obstructions and other factors. Too much draft may cause excessive temperatures in the appliance (overfiring). Slow or inadequate draft equals poor combustion and possible smoking problems. The following are some conditions that may contribute to poor chimney draft:

1. A chimney too large for your appliance.
2. A chimney with not enough height to produce adequate draft.
3. A chimney with excessive height (this may allow exhaust to cool too much before exiting, which will stall the rate the exhaust exits).
4. Offsets in the venting system are too restrictive (*see Chimney Guidelines*).

Inadequate draft will cause the appliance to leak smoke into the room through the wood-burning appliance and the chimney connector joints. Excessive draft may cause an uncontrollable burn or a glowing red appliance or chimney part.

**Overfiring Damage** - If the appliance or chimney connector glows, you are overfiring. Other symptoms may include: Cracking, warping or burning out of components, plated accessories may turn color, appliance glass may develop a haze, which will not come off with cleaning.

Overfiring of a appliance is a condition where excessive temperatures are reached, beyond the design capabilities of the appliance. The damage that occurs from overfiring is not covered under the manufacturer’s limited warranty.

Also see Troubleshooting on **Page 22**.

### WARNING

**Neither the manufacturer nor the seller warrants “smoke free” operation nor are we responsible for inadequate system draft caused by mechanical systems, general construction conditions, inadequate chimney heights, adverse wind conditions and/or unusual environmental factors or conditions beyond our control.**

### Selecting the Proper Venting System

The appliance is merely one component of a larger system. The other equally important component is the venting system. This is necessary for achieving the required flow of combustion air to the fire chamber and for safely removing unwanted combustion by products from the appliance.

If the venting system’s design does not promote these ends, the system may not function properly. Poorly functioning venting systems may create performance problems as well as be a safety hazard. **A draft test should read greater than .04’ W.C. (inches water column) and less than .08” W.C.**

As per NFPA-211 standard, the installer must take into account all variables within the installation and install the appliance in such a manner that satisfies the draft requirements of the appliance. See Chimney Guidelines to assist you in selecting the proper venting system for your installation.

**American National Standards Institute ANSI/NFPA 211, Standard for Chimneys, Fireplaces, Vents, and Solid Fuel-Burning Appliances - See Draft Section:** A chimney or vent shall be so designed and constructed to develop a flow sufficient to completely remove all flue and vent gases to the outside atmosphere. The venting system shall satisfy the draft requirements of the connected appliance in accordance with the manufacturer’s instructions.

### Chimney Guidelines:

- In well insulated and weather tight homes, it may be difficult to establish a good draft up your chimney. The poor draft is caused by a shortage of air in the house. In this situation an Outside Air Kit may need to be installed (See Negative Pressure Warning below and Outside Combustion Air in the Installation and Operation manual).

### Negative Pressure Warning

These appliances are not designed to be operated in a negative pressure. In very airtight homes with large kitchen exhaust fans, furnace cold air returns, fresh air exchange systems and any other air system in close proximity to the heating appliance may create a negative pressure in the same room as the heating appliance. This can create dangerous back drafting of the appliance and chimney joints, drawing combustion by-products into the home. Be sure your home has adequate makeup air to eliminate negative pressures caused by the above-mentioned sources. Outside air connected to the appliance probably will not resolve such a problem as the appliance is not the source of negative pressure. IHP accepts no liability for damages resulting from negative pressures described here.

**Ventilation Requirements** - Provide adequate air for combustion. The fresh air requirements of this appliance must be met within the space where it will be installed. Ventilation is essential when using a solid-fuel-burning appliance. In well insulated and weather tight homes, it may be difficult to establish a good draft up the chimney (caused by a shortage of air in the home). The lack of air is caused by many common household appliances which exhaust air from the home (such as a furnace, heat pump, air conditioner, clothes dryer, exhaust fans, fireplaces, and other fuel burning appliances). Also, the combustion process of this appliance uses oxygen from inside the dwelling. If the available fresh air delivery in the dwelling is insufficient to support the demands of these appliances, problems can result (i.e. excessive negative pressure can develop in the dwelling which will affect the rate at which this appliance can draft thus resulting in performance problems or smoking. To correct this problem it may help to open a window (preferably on the windward side of the house) or install an outside air kit.

## APPENDIX A Continued

### Smoking – Causes And Troubleshooting

To reduce the likelihood of smoking when opening the door, open the combustion air control or damper before opening the door. Your appliance has been designed and tested to provide smoke free operation. Occasionally, there may be a small amount of smoking upon lighting the fire, until the chimney heats up but this should not continue. If the appliance continues to smoke it is probably for one of the following reasons:

#### A. Negative pressure in the house -

As the fire burns, air goes up the chimney. This air must be replaced through leakage into the house or through the outside air duct. When operating the appliance, open a nearby window temporarily to check if there is adequate replacement air supply.

**B. Blowers operating (e.g.: range hood) -** These blowers draw air out of the house and may actually cause a negative pressure in the house. Turn off all blowers and open a nearby window to determine if this is the cause of the problem.

**C. Wet wood -** Wet or tarred wood will smoulder and smoke instead of burning properly. Your dealer can help you determine if you have properly seasoned wood for burning.

**D. Dirty or blocked chimney -** Check to make sure the chimney is clear and clean. If dirty call a certified chimney sweep or use a properly sized chimney brush to clean.

**E. Chimney not long enough -** The minimum chimney height is twelve (12) feet (3.7 m) not including the appliance height. The chimney must extend at least three (3) feet (915 mm) above its point of contact with the roof and at least two (2) feet (610 mm) higher than any roof or wall within ten (10) feet (3 m) of it. When installed with offsets, the minimum chimney height is fifteen (15) feet. Additional height will increase draft and will decrease the tendency to smoke.

**F. Poor chimney draft -** With no fire, there should be sufficient draft to exhaust cigarette smoke introduced under the baffle or flue baffle. Chimneys installed against an outside wall without protection may generate back draft problems which will cause start-up problems. To prevent this, open a nearby window, roll up a piece of paper and light it. Then, hold it in the upper part of the firebox to warm up the chimney. Wait until the draft is sufficient, then start the fire.

**G. Blower for forced air kit operating (some models) -** Make sure that the blower is in the “off” position when you open the appliance door for reloading.

### Locating The Appliance

The best location to install your appliance is determined by considering the location of windows, doors, and the traffic flow in the room where the appliance is located, allowing space in front of the unit for the hearth extension and the mantel, and taking into consideration the location of the hot air ducts (some models), outside air kit and chimney.

If possible, you should choose a location where the chimney will pass through the house without cutting floor or roof joists.

When selecting the location, the chimney outlet position and the direction of the wind are important factor affecting the chimney performance. To allow a maximum draft and to reduce wind turbulence, the chimney must:

- Penetrate the highest part of the roof.
- Be installed as far as possible of roof offsets, trees or any other obstructions that may cause wind turbulence and back drafts in the chimney.
- The least amount of offsets (elbows) possible. **NOTE: A maximum of 2 offsets is allowed.**

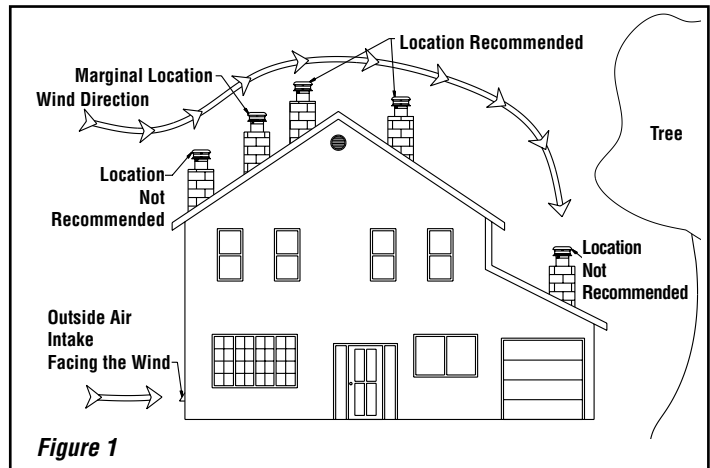


Figure 1

### Prohibited Fuels

These appliances are designed to burn natural well-seasoned wood. The wood fuel should be air dried seasoned hardwoods, as compared to softwoods or to green or freshly cut hardwoods. Burning artificial logs, in some model appliances is allowed (see Installation and Operation manual); please read and follow the instructions provided by the manufacturer. **DO NOT BURN:**

- Garbage;
- Lawn clippings or yard waste;
- Materials containing rubber, including tires;
- Materials containing plastic;
- Waste petroleum products, paints or paint thinners, or asphalt products;
- Materials containing asbestos;
- Construction or demolition debris;
- Railroad ties or pressure-treated wood; woods that have been dipped in tar, pitch, pine tar, creosote, etc.
- Manure or animal remains;
- Salt water driftwood or other previously salt water saturated materials;
- Unseasoned wood;
- Christmas tree branches;
- Paper products, colored paper, cardboard, plywood, or particleboard;
- Gasoline;
- Naphtha;
- Engine Oil;
- Flammable Liquids;
- Solvents;
- Grease; or
- Charcoal or Coal

**NOTE: The use of a firewood moisture meter is recommended to ensure the firewood contains less than 20% moisture.**

### Seasoning Guide

Softwoods - 6 months to 18 months

Hardwoods - 12 months to 24 months

Logs that are 5” diameter across or larger should be split in half, three pieces if over 8 inches, and four pieces when over a foot across. If a tree has been dead for 2 - 4 years it still needs to be cut, split, and seasoned for 6 to 24 months depending on the wood.

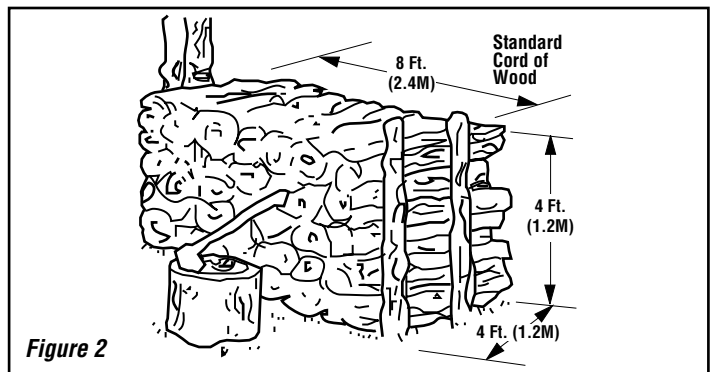


Figure 2

# Innovative Hearth Products Superior® Brand Wood-Burning Fireplace 20 Year Limited Warranty

## THE WARRANTY

Innovative Hearth Products ("IHP") 20 Year Limited Warranty warrants your Superior® Brand wood burning fireplace ("Product") to be free from defects in materials and workmanship at the time of manufacture. The Product body, firebox and ceramic glass carry the 20 Year Limited Warranty. Ceramic glass carries the 20 Year Limited Warranty against thermal breakage only. After installation, if covered components manufactured by IHP are found to be defective in materials or workmanship during the 20 Year Limited Warranty period and while the Product remains at the site of the original installation, IHP will, at its option, repair or replace the covered components. If repair or replacement is not commercially practical, IHP will, at its option, refund the purchase price or wholesale price of the IHP product, whichever is applicable. IHP will also pay IHP prevailing labor rates, as determined in its sole discretion, incurred in repairing or replacing such components for up to five years. THERE ARE EXCLUSIONS AND LIMITATIONS to this 20 Year Limited Warranty as described herein.

## COVERAGE COMMENCEMENT DATE

Warranty coverage begins on the date of purchase. In the case of new home construction, warranty coverage begins on the date of first occupancy of the dwelling or six months after the sale of the Product by an independent IHP dealer/distributor, whichever occurs earlier. The warranty shall commence no later than 24 months following the date of product shipment from IHP, regardless of the installation or occupancy date.

## EXCLUSIONS AND LIMITATIONS

This 20 Year Limited Warranty applies only if the Product is installed in the United States or Canada and only if operated and maintained in accordance with the printed instructions accompanying the Product and in compliance with all applicable installation and building codes and good trade practices.

This warranty is non-transferable and extends to the original owner only. The Product must be purchased through a listed supplier of IHP and proof of purchase must be provided. The Product body and firebox carry the 20 Year Limited Warranty from the date of installation. Vent components, trim components, paint and applied stains are excluded from this 20 Year Limited Warranty. The following do not carry a 20 Year Limited Warranty but are warranted as follows:

**Air tubes, baffles and brick retainers** – Repair or replacement for one year from the date of installation

**Cast iron parts** – Replacement for one year from date of installation

**Catalyst** – Carries a separate warranty. Refer to the warranty certificate provided for that part

**Electrical components** – Repair or replacement for one year from the date of installation

**Fireplace screens, refractory and side shields (metal or refractory)** – Repair or replacement for two years from date of installation. Excludes hairline cracks.

**Fuel grates** – These parts are considered consumable accessories and therefore are not warranted, with the exception of defects in material or workmanship which are covered for 90 days from the date of installation

**Gaskets** – Replacement for one year from date of installation

**Gold & nickel plating** – Replacement for two years from date of installation. Excludes tarnishing

**Optional glass doors** – Repair or replacement for 90 days from the date of installation

**Refractory & screens** – Replacement for two years from date of installation. Excludes hairline cracks

**Removable air tubes** – Repair or replacement for seven years from date of installation. IHP prevailing labor rates for years one through five.

**Labor coverage** – Prevailing IHP labor rates apply for the warranty period of the component.

**Parts not otherwise listed carry a 90 day warranty from the date of installation.**

**Whenever practicable, IHP will provide replacement parts, if available, for a period of 10 years from the last date of manufacture of the Product.**

IHP will not be responsible for: (a) damages caused by normal wear and tear, accident, riot, fire, flood or acts of God; (b) damages caused by abuse, negligence, misuse, or unauthorized alteration or repair of the Product affecting its stability or performance. (The Product must be subject to normal use with approved fuels listed in the Operation Manual provided with the product. This includes burning such fireplace fuels as wood and natural or propane gas. Fuel products with abnormal burning characteristics, including but not limited to fuel such as driftwood, coal or plywood and wood products using a binder may burn at excessive temperatures and may cause damage to the Product or may cause it to function improperly.); (c) damages caused by failing to provide proper maintenance and service in accordance with the instructions provided with the Product; (d) damages, repairs or inefficiency resulting from faulty installation or application of the Product.

Coverage of this 20 Year Limited Warranty is conditional upon use of an adequate fuel grate on factory-built fireplaces only, when applicable.

IHP is not responsible for inadequate fireplace system draft caused by air conditioning and heating systems, mechanical ventilation systems, or general construction conditions which may generate negative air pressure in the room in which the appliance is installed. Additionally IHP assumes no responsibility for smoking conditions caused by inadequate chimney height, adjoining trees or buildings, adverse wind conditions or unusual environmental factors and conditions. Certain IHP Products are listed for use with Security Chimneys International, Ltd. or IHP chimney systems only. Use of chimney components other than that specified in the Product manual will void the Product warranty.

This 20 Year Limited Warranty covers only parts and labor as provided herein. In no case shall IHP be responsible for materials, components or construction which are not manufactured or supplied by IHP or for the labor necessary to install, repair or remove such materials, components or construction. Additional utility bills incurred due to any malfunction or defect in equipment are not covered by this 20 Year Limited Warranty. All replacement or repair components will be shipped F.O.B. from the nearest stocking IHP factory.

## LIMITATION ON LIABILITY

It is expressly agreed and understood that IHP's sole obligation and the purchaser's exclusive remedy under this warranty, under any other warranty, expressed or implied, or in contract, tort or otherwise, shall be limited to replacement, repair, or refund, as specified herein.

In no event shall IHP be liable for any incidental or consequential damages caused by defects in the Product, whether such damage occurs or is discovered before or after replacement or repair, and whether such damage is caused by IHP's negligence. IHP has not made and does not make any representation or warranty of fitness for a particular use or purpose, and there is no implied condition of fitness for a particular use or purpose.

IHP makes no expressed warranties except as stated in this 20 Year Limited Warranty. The duration of any implied warranty is limited to the duration of this expressed warranty.

No one is authorized to change this 20 Year Limited Warranty or to create for IHP any other obligation or liability in connection with the Product. Some states and provinces do not allow the exclusion or limitation of incidental or consequential damages, so the above limitations or exclusions may not apply to you. The provisions of this 20 Year Limited Warranty are in addition to and not a modification of or subtraction from any statutory warranties and other rights and remedies provided by law.

## INVESTIGATION OF CLAIMS AGAINST WARRANTY

IHP reserves the right to investigate any and all claims against this 20 Year Limited Warranty and to decide, in its sole discretion, upon the method of settlement.

To receive the benefits and advantages described in this 20 Year Limited Warranty, the appliance must be installed and repaired by a licensed contractor approved by IHP.

Contact IHP at the address provided herein to obtain a listing of approved dealers/distributors. **IHP shall in no event be responsible for any warranty work done by a contractor that is not approved without first obtaining IHP's prior written consent.**

## HOW TO REGISTER A CLAIM AGAINST WARRANTY

In order for any claim under this warranty to be valid, you must contact the IHP dealer/distributor from which you purchased the product. If you cannot locate the dealer/distributor, then you must notify IHP in writing. IHP must be notified of the claimed defect in writing within 90 days of the date of failure. Notices should be directed to the IHP Warranty Department at 1769 East Lawrence Street; Russellville, AL 35654 or visit our website at [WWW.SUPERIORFIREPLACES.US.COM](http://WWW.SUPERIORFIREPLACES.US.COM).

**SuperiorFireplaces.us.com**

Record the following important information about your fireplace:

Fireplace model number	
Fireplace serial number	
Date fireplace was Installed	
Dealer name	

---

Innovative Hearth Products (IHP) reserves the right to make changes at any time, without notice, in design, materials, specifications, prices and also to discontinue colors, styles and products. Consult your local distributor for fireplace code information.

