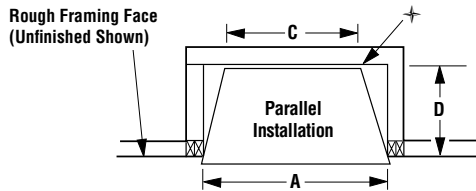
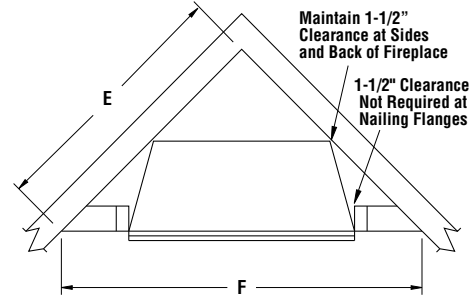
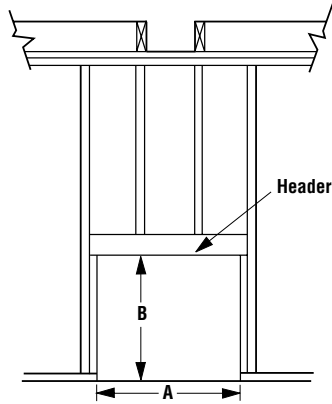


VRT4500 SERIES

VENT-FREE UNIVERSAL FIREBOXES

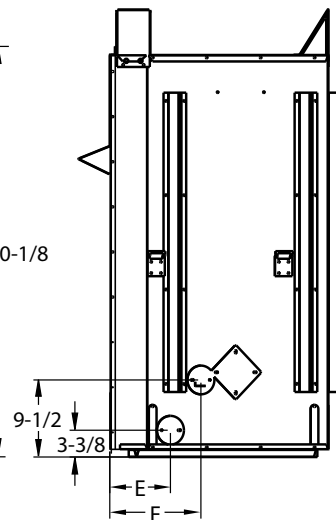
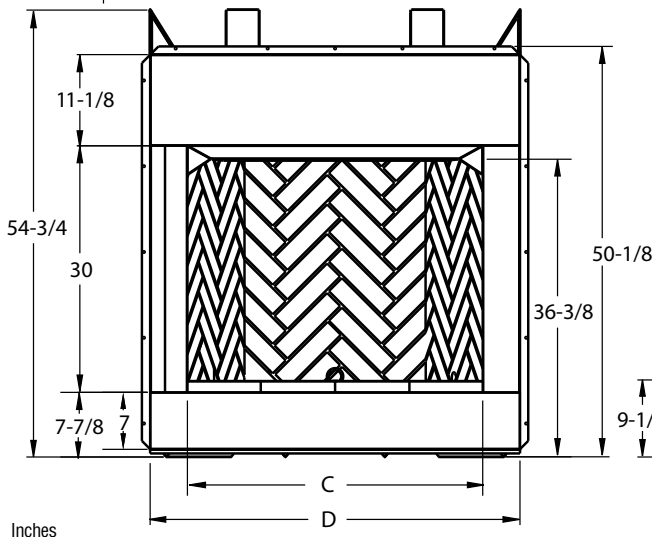
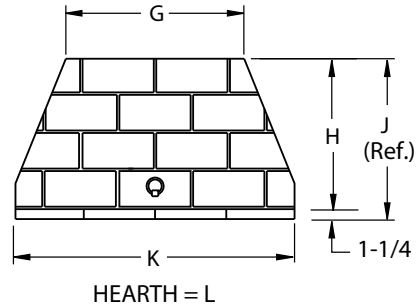
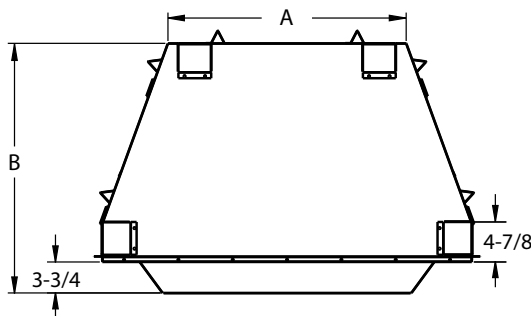
Framing Dimensions



Dim.	36"	42"	50"
A	45-3/4"	51-3/4"	59-3/4"
B	55"	55"	55"
C	29"	30-3/8"	38-3/8"
D	28-1/4"	30-1/8"	30-1/8"
E	61"	65"	71"
F	86-1/2"	92"	100"

† Back wall of chase/enclosure including finishing materials if any.

Fireplace Dimensions



Model No.	A	B	C	D	E	F	G	H	J	K	L
36"	29	30-1/2	36	45-1/4	7-3/8	11-1/8	22-1/2	19	20-1/4	35-1/4	36
42"	30-3/8	32-3/8	42	51-1/4	8-3/4	13	26-3/8	21-3/4	23	41-3/8	42
50"	38-3/8	32-3/8	50	59-1/4	8-3/4	13	34-3/8	21-3/4	23	49-3/8	50

Diagrams, illustrations and photographs are not to scale. Consult installation instructions. Product designs, materials, dimensions, specifications, colors, and prices are subject to change or discontinuance without notice.

P/N 900709-00, REV. A, 06/2021

NOTE: DIAGRAMS & ILLUSTRATIONS ARE NOT TO SCALE.



VRT4500 SERIES



Report No. F09-130

These appliances comply with National Safety Standards and are listed by PFS Corporation to ANSI Z21.91 Ventless Firebox Enclosures for Gas-Fired Unvented Decorative Room Heaters and is approved for use with appliances listed to ANSI Z21.11.2 decorative type unvented room heaters.

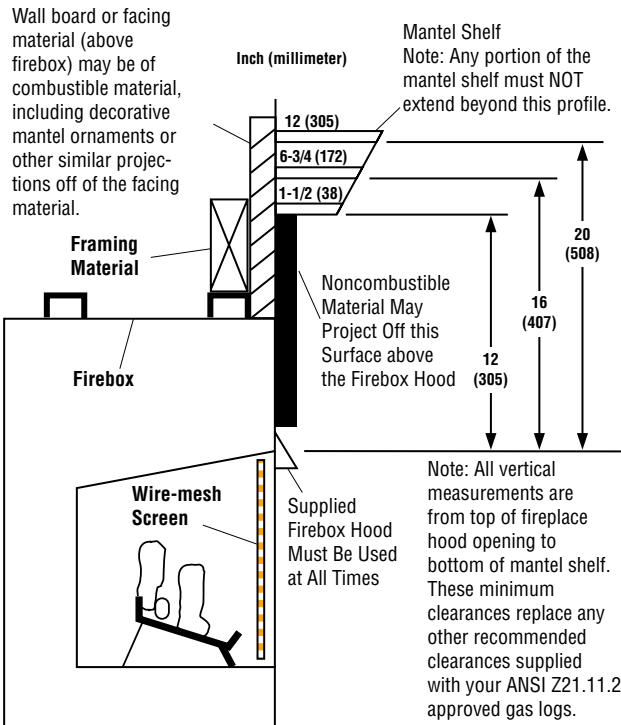
Product Information

Cat. No.	Model	Ship. Weight	Shipping Volume
F0271	VRT4536RS	446 lb.	109.1 cu. ft.
F0272	VRT4536RH	446 lb.	109.1 cu. ft.
F0277	VRT4536WS	446 lb.	109.1 cu. ft.
F0278	VRT4536WH	446 lb.	109.1 cu. ft.
F0273	VRT4542RS	524 lb.	109.1 cu. ft.
F0274	VRT4542RH	524 lb.	109.1 cu. ft.

Cat. No.	Model	Ship. Weight	Shipping Volume
F0279	VRT4542WS	524 lb.	109.1 cu. ft.
F0280	VRT4542WH	524 lb.	109.1 cu. ft.
F0275	VRT4550RS	620 lb.	109.1 cu. ft.
F0276	VRT4550RH	620 lb.	109.1 cu. ft.
F0281	VRT4550WS	620 lb.	109.1 cu. ft.
F0282	VRT4550WH	620 lb.	109.1 cu. ft.

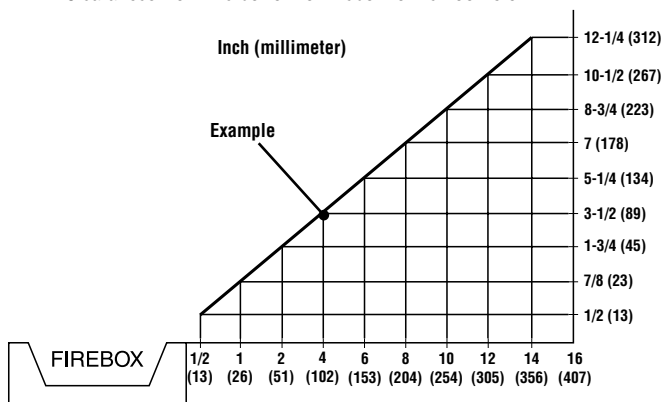
Listing Info

Clearances

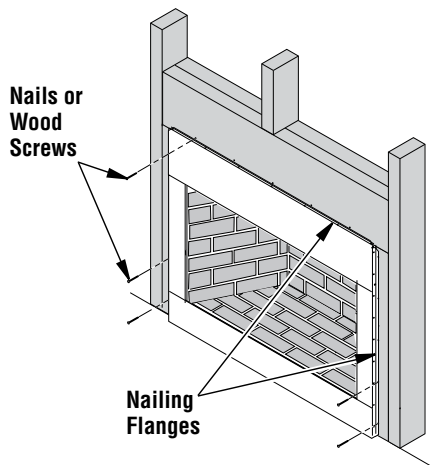


Minimum Wall and Ceiling Clearances (see figure below)

- Clearances from the side of the fireplace cabinet to any combustible material and wall should follow diagram shown here.
Example: The face of a mantel, bookshelf, etc. is made of combustible material and protrudes 3-1/2" from the wall. This combustible material must be 4" from the side of the fireplace cabinet.
- Clearances from the top of the firebox opening to the ceiling should not be less than 42".
- When the firebox is installed directly on carpeting, vinyl tile or other combustible material, other than wood flooring, the firebox should be installed on a metal or wood panel extending the full width and depth of the enclosure.
- Clearances from the bottom of firebox to the floor is 0".



Nailing Flanges



Optional Mantel

