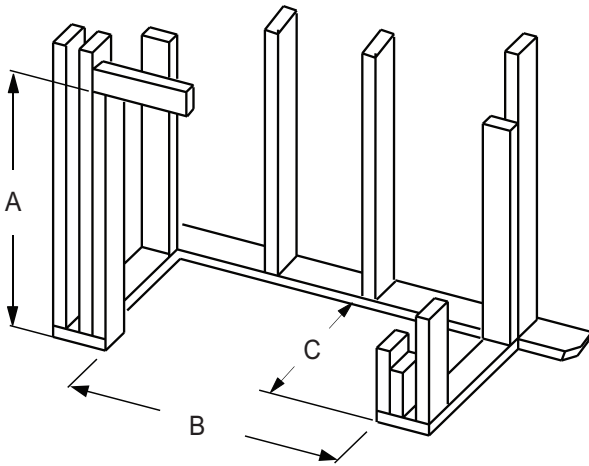


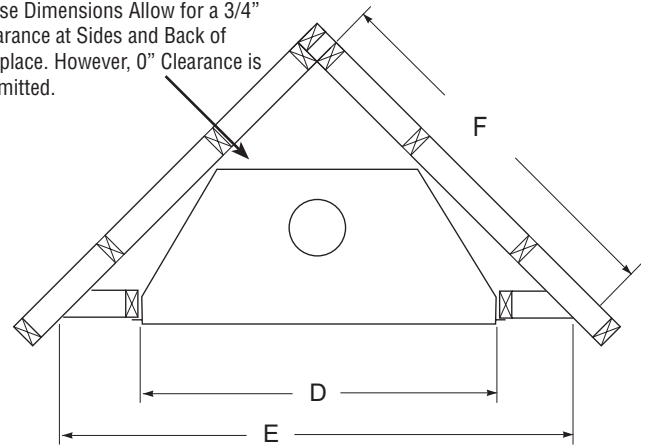
# BRT4500 36/42 SERIES

## B-VENT FIREPLACES

Framing Dimensions



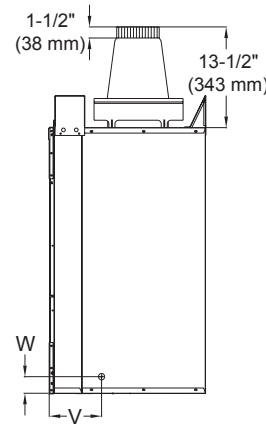
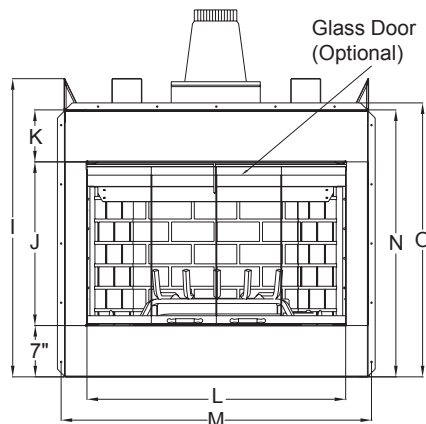
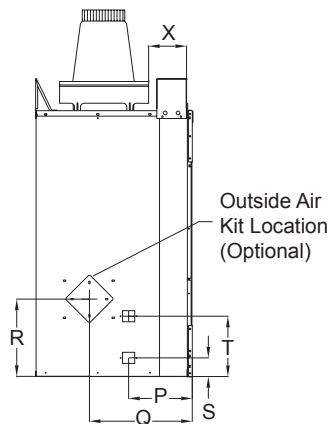
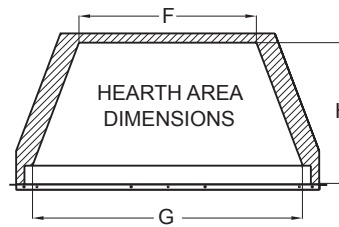
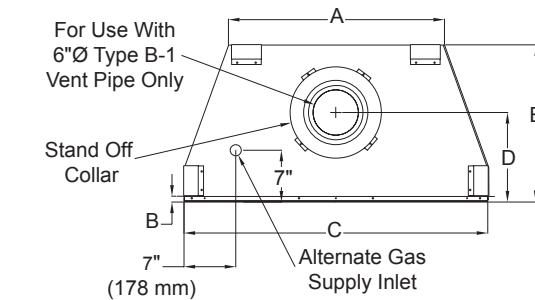
These Dimensions Allow for a 3/4" Clearance at Sides and Back of Fireplace. However, 0" Clearance is Permitted.



Models	A	B	C
36" Models	40-3/8" 1026 mm	41-1/4" 1048 mm	21-3/8" 543 mm
42" Models	44-3/8" 1127 mm	48-1/4" 1226 mm	23-1/8" 588 mm

Models	D	E	F
36" Models	41-1/4" 1048 mm	73-7/8" 1877 mm	52-1/4" 1327 mm
42" Models	48-1/4" 1226 mm	83-7/8" 2131 mm	59-3/8" 1508 mm

Fireplace Dimensions



	36" Model	42" Model
A	29 (737)	36 (915)
B	5/8 (16)	5/8 (16)
C	41 (1042)	48 (1220)
D	12 (305)	14 (356)
E	21-1/4 (540)	23 (585)
F	22-1/4 (566)	29-1/4 (743)
G	32-5/8 (829)	39-1/2 (1004)
H	15-3/4 (400)	17-3/4 (451)
I	40-1/4 (1023)	44-1/4 (1124)
J	21 (534)	24 (610)
K	8 (204)	9 (229)
L	34-3/4 (883)	42 (1067)
M	42 (1067)	49 (1245)
N	36 (915)	40 (1016)
O	37 (940)	41 (1042)
P	8-5/8 (220)	10-1/2 (267)
Q	13-7/8 (353)	14 (356)
R	10-1/2 (267)	12-1/2 (318)
S	2-1/2 (64)	2-1/2 (64)
T	8-1/8 (207)	8-1/8 (207)
U	11 (280)	12-3/4 (324)
V	7 (178)	7 (178)
W	2-1/4 (58)	2-1/4 (58)
X	5 (127)	4-1/2 (115)

Diagrams, illustrations and photographs are not to scale. Consult installation instructions. Product designs, materials, dimensions, specifications, colors, and prices are subject to change or discontinuance without notice.

# BRT4500 36/42 SERIES

Product Information

Cat. #	Model	Interior	Weight	Cu. Ft.
F3200	BRT4536TEN-B	White Herringbone	225 lb.	23.8
F3201	BRT4536TEP-B	White Herringbone	225 lb.	23.8
F3198	BRT4536TMN-B	White Herringbone	225 lb.	23.8
F3199	BRT4536TMP-B	White Herringbone	225 lb.	23.8
F3204	BRT4542TEN-B	White Herringbone	257 lb.	32
F3205	BRT4542TEP-B	White Herringbone	257 lb.	32
F3202	BRT4542TMN-B	White Herringbone	257 lb.	32
F3203	BRT4542TMP-B	White Herringbone	257 lb.	32

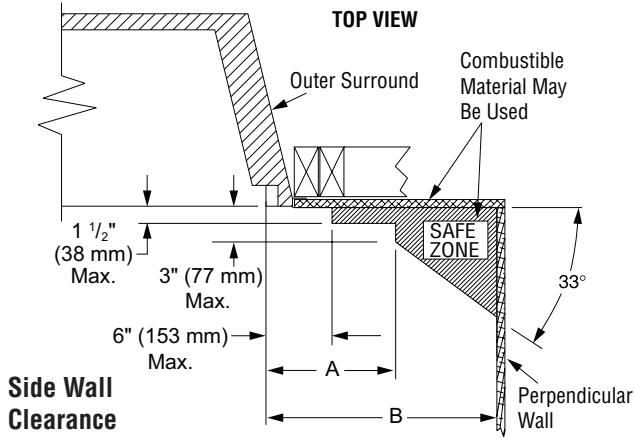
Listing Information



Report No. F09-143

This fireplace complies with the National Safety Standards and is listed and tested by the PFS Corporation to ANSI Z21.50/CSA 2.22 standard as a vented gas fireplace.

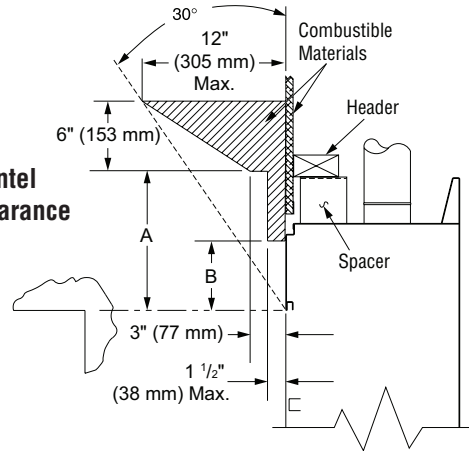
Clearances



Side Wall Clearance

	36" Models	42" Models
A	9" (229 mm)	6" (153 mm)
B	12" (305 mm)	9" (229 mm)

Mantel Clearance



	36" Models	42" Models
A	14" (356 mm)	15" (380 mm)
B	8" (203 mm)	9" (229 mm)

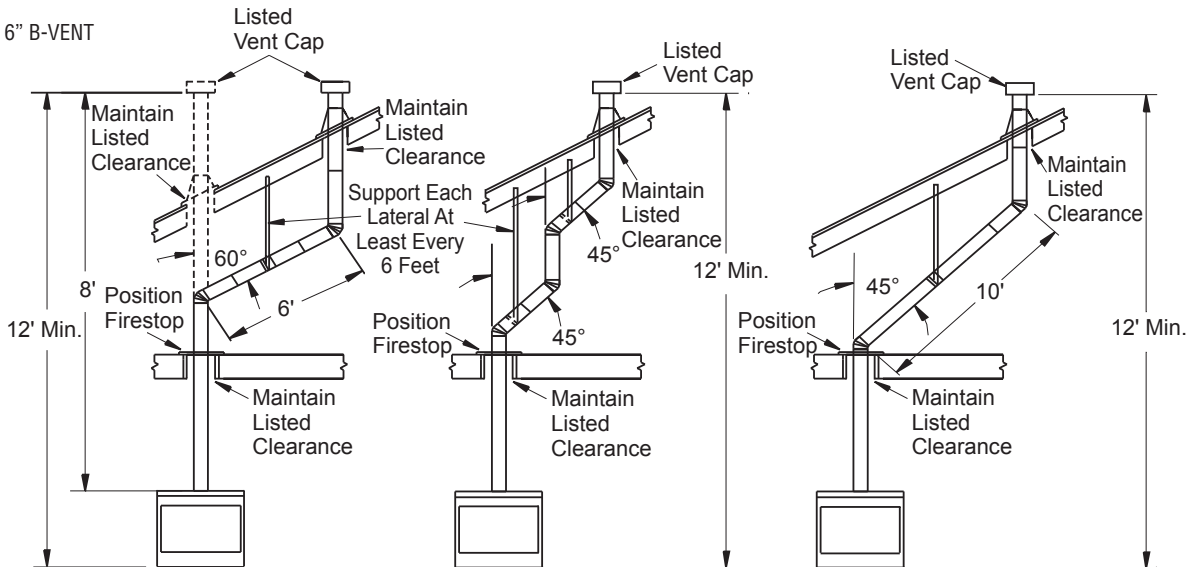
Minimum Clearances to Combustibles		
Back and Sides	0"	0 mm
Floor**	0"	0 mm
Ceiling to Opening	42"	1067 mm
Front of Fireplace	48"	1219 mm
"B" Vent Surfaces	1"	26 mm

\* 3/4" clearance not required at nailing flanges.

\*\* If fireplace is to be installed directly on carpeting, vinyl tile or any combustible material other than wood flooring, fireplace must be installed upon a metal or wood panel extending full width and depth of fireplace.

Venting

USES 6" B-VENT



NOTE: DIAGRAMS & ILLUSTRATIONS ARE NOT TO SCALE.  
 Printed in U.S.A. © 2016 Innovative Hearth Products  
 P/N 900834-00 REV. A 03/2019



Specifications and clearances are subject to change without notice. Refer to Installation Manual before installation of these appliances for updated dimensions and instructions.