

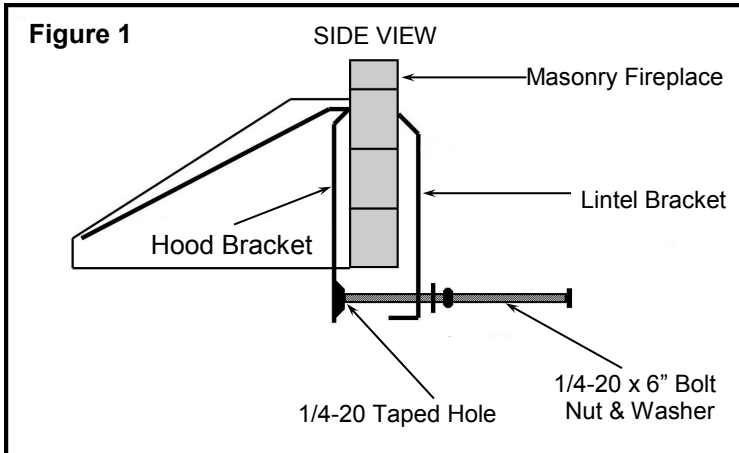
Installation Instructions

Fireplace Hoods

PARTS INCLUDED FOR INSTALLATION:

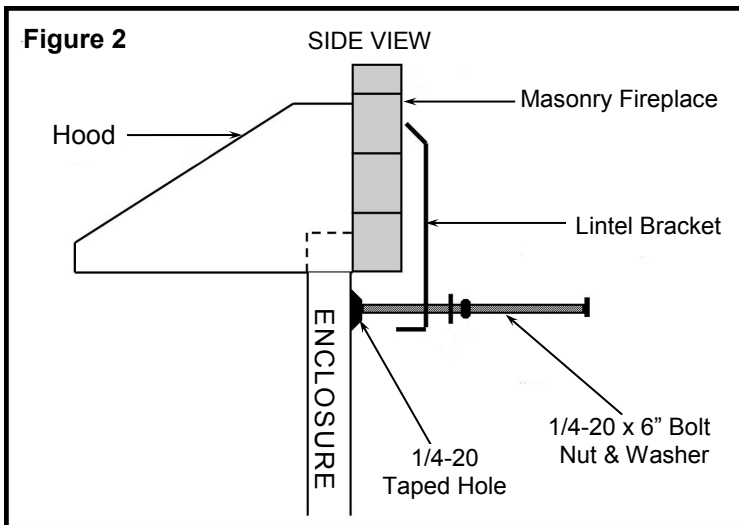
1 ea. Fireplace Hood	1 ea. Hardware Kit with brackets and fasteners
----------------------	--

INSTALLATION BY LINTEL CLAMP



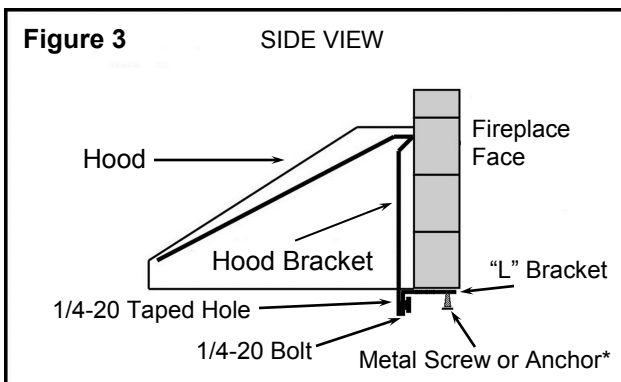
- Insert the Hood Bracket into the Fireplace Hood.
- Assemble the Lintel Clamps by threading a nut onto each 6" long threaded bolt, add a flat washer, and then a Lintel Bracket.
- Thread the 6" long 1/4-20 threaded bolts into the mounting nuts welded on the Hood Bracket and tighten.
- Center and level the Fireplace Hood above the fireplace opening.
- Rotate the Lintel Clamps up toward the top of the fireplace to grip the lintel.
- Secure the Fireplace Hood to the fireplace face by tightening both nuts snugly. Don't over-tighten.

INSTALLATION WITH A FIREPLACE ENCLOSURE



- Center the Fireplace Hood over the fireplace enclosure.
- The back of the Fireplace Hood fits between the fireplace enclosure and the face of the fireplace.
- Follow the installation instructions for attaching the Fireplace Enclosure to the fireplace.
 - The pressure of the fireplace enclosure against the fireplace will hold the Fireplace Hood in place.
 - Ensure that there is adequate clearance under the Fireplace Hood for the fireplace enclosure doors and screens to operate freely

INSTALLATION BY LINTEL ANCHOR



- Attach "L" Bracket to Hood Bracket with 1/4-20 Bolt.
- Insert the Hood Bracket into the Fireplace Hood
- Mark and drill pilot hole through hole in "L" Bracket into Lintel or ZC Fireplace
- Center and level the Fireplace Hood above the fireplace opening.
- Use Metal Screw or Anchor to attach "L" Bracket to bottom of Lintel or ZC Fireplace. (*not provided)