

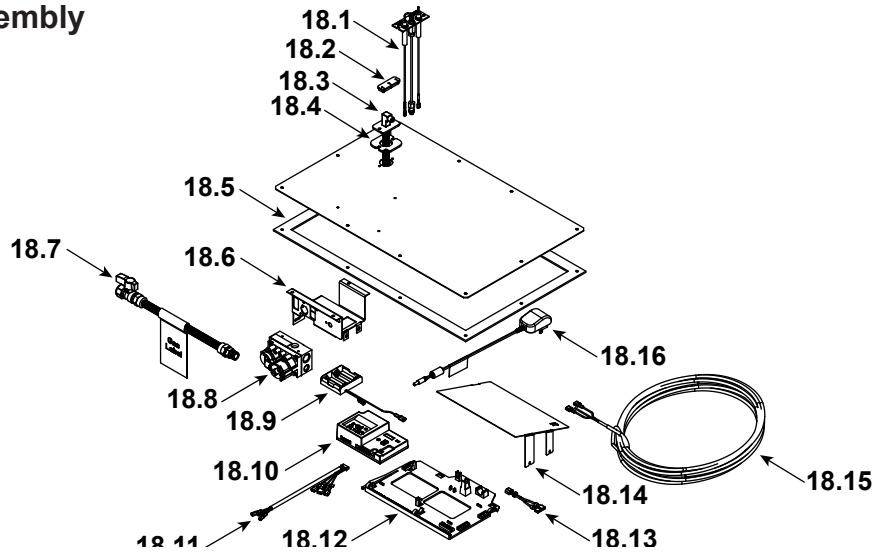
IMPORTANT: THIS IS DATED INFORMATION. Parts must be ordered from a dealer or distributor. **Hearth and Home Technologies does not sell directly to consumers.** Provide model number and serial number when requesting service parts from your dealer or distributor.



Stocked
in Depot

ITEM	DESCRIPTION	COMMENTS	PART NUMBER	
1	Pilot Shield		2290-109	
2	Burner Assembly		2290-007	Y
3	Firebox Bracket	Qty 2 req	2290-123	
4	Glass Clip		2668-121	
5	Indoor Glass Assembly		GLA-6TROC	Y
6	Drain Pan		2668-118	
7	Base Pan Assembly		2290-015	
8	Junction Box		SRV4021-013	Y
9	Junction Box Shield		2087-149	
10	Cover Plate		2668-114	
11	Deflection Plate		2668-136	
12	Cover Panel		2368-114	
13	Wind Screen Assembly		2668-004	
14	Hood-Exterior Side		2368-113	
15	Flashing		2668-159	
16	Outdoor Glass Assembly		GLA-OUTDOOR2	
17	Mesh Assembly, Exterior		2368-030	
	Mesh		2368-225	

#18 Valve Assembly



IMPORTANT: THIS IS DATED INFORMATION. Parts must be ordered from a dealer or distributor. **Hearth and Home Technologies does not sell directly to consumers.** Provide model number and serial number when requesting service parts from your dealer or distributor.



**Stocked
in Depot**

ITEM	DESCRIPTION	COMMENTS	PART NUMBER	
18.1	Pilot Assembly NG		2406-012	Y
	Pilot Assembly Propane	Convert 2406-012 with SRV593-527		Y
	Pilot Tube		SRV485-301	Y
18.2	3-Hole Grommet		SRV2118-420	
18.3	Flex Tube Assembly		4021-428	
18.4	Burner Neck Gasket		2025-407	
18.5	Valve Plate Gasket		2087-112	
18.6	Valve Bracket		2118-104	
18.7	Flex Ball Valve Assembly		SRV302-320	Y
18.8	Valve NG		SRV593-500	Y
	Valve Propane		SRV593-501	Y
	Male Connector	Pkg of 5	303-315/5	Y
18.9	Battery Pack		SRV2326-134	Y
18.10	Module, IFT Control		SRV2326-130	Y
18.11	Harness, IFT 6 Pin Wiring		SRV2326-132	Y
18.12	Component Tray		2532-170	
18.13	Jumper Wire		SRV2187-198	Y
18.14	Component Heat Shield		2668-144	
18.15	Wall Switch Wire		SRV2118-170	Y
18.16	Transformer, 6 Volt Wall		SRV2326-131	Y
	Burner Orifice (NG) (#32C)		SRV582-832	Y
	Burner Orifice (Propane) (#50C)		582-850	Y

Additional service part numbers appear on following page.

