

Lanai Conversion Kit

Natural Gas to Propane Conversion Instructions

Model: LPK-ODLANAIG48

For use with ODLANAIG-48, ODLANAIG-60, ODLANAIGST-48

⚠️ WARNINGS:

- This Conversion kit shall be installed by a qualified service agency in accordance with the manufacturer’s instructions and all applicable code and requirements of the authority having jurisdiction.
- If the information in these instructions is not followed exactly, a fire, explosion or production of carbon monoxide may result causing property damage, personal injury or loss of life.
- The qualified service agency is responsible for the proper installation of this kit.
- The installation is not proper and complete until the operation of the converted appliance is checked as specified in the manufacturer’s instructions supplied with the kit.

⚠️ Caution!

The gas supply must be shut off prior to disconnecting the electrical power before proceeding with the conversion.

Before You Start

This conversion shall be installed by a qualified service agency.
 Any damaged valve components should not be installed. If a valve or regulator has been dropped or appears to have been modified, the valve or regulator should not be installed.

KIT CONTENTS

Gas Valve Regulator with Rubber Gasket	One (1)
Pilot Orifice	One (1)
Gas Type Label	One (1)
Burner Orifice	One (1)
High Limit Switch	One (1)
High Limit Switch Wires.....	Two (2)



Installation and service of this appliance should be performed by qualified personnel. Hearth & Home Technologies recommends HHT Factory Trained or NFI certified professionals.



Accessing Gas Control Valve

NOTE: The valve compartment must be accessed through the firebox of the appliance.

1. Turn off gas supply at external shutoff and allow the unit to cool (required).
2. Disconnect power at GFCI circuit breaker (required).
3. Remove glass and vacuum media from unit.
4. Lift the burner assembly and place the two engine supports, provided under the Engine, against lower front space at the bottom of the face, and slide into the slots at the bottom of the engine assembly. See Figure 1.

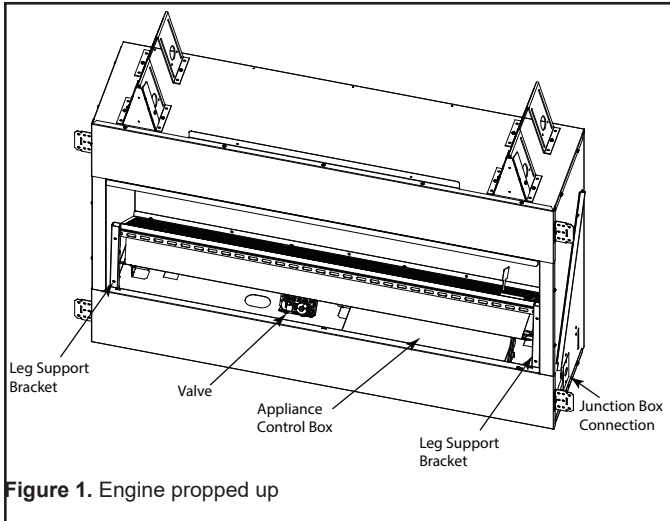


Figure 1. Engine propped up

Installing High Limit Switch

1. Connect two 1/4 inch female ends to limit switch.
2. Unplug one leg of the transformer from the green module.
3. Connect male end from limit switch to power supply.
4. Connect female end from limit switch to green module. See Figure 2.
5. Attach limit switch with supplied screws to light tray from bottom. See Figure 3.

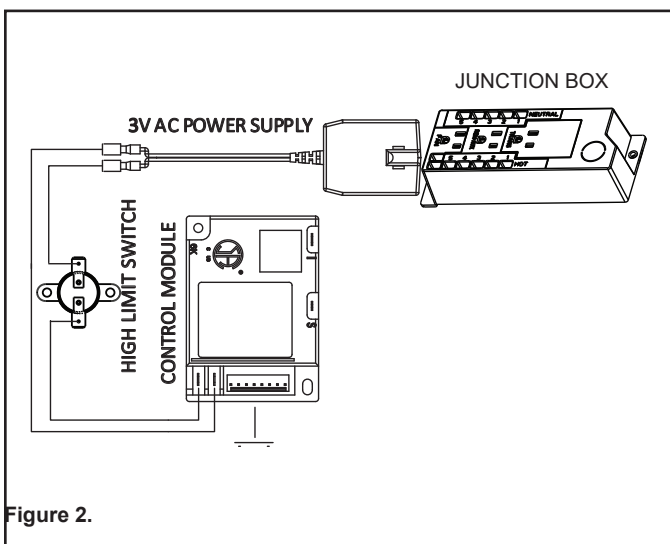


Figure 2.

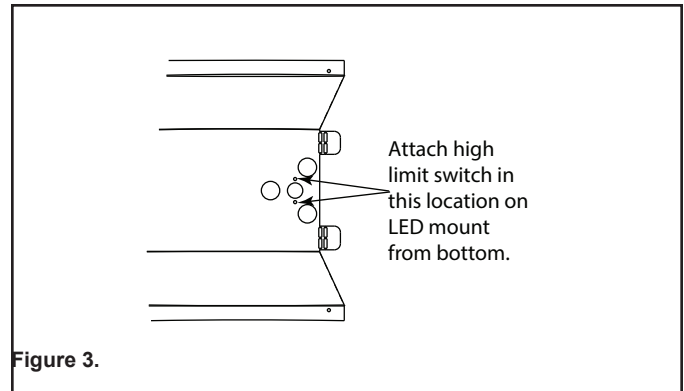


Figure 3.

Converting Gas Control Valve

1. Locate the gas valve. Using a #20 tamper-proof Torx screwdriver, remove the regulator and rubber gasket on face of valve. See Figure 4. Discard both the regulator and rubber gasket.
2. Install the new regulator along with the new rubber gasket included in the conversion kit. See Figure 4.

⚠ WARNING

Fire Risk
Explosion Risk
Gas Leak Risk

- Rubber gasket must be seated properly on valve face.
- Do not install a valve or regulator that has been dropped.

3. Place the gas type label on the appliance adjacent to rating plate. Ensure the gas type label is appropriate for the type of gas to which you are converting the appliance.

Note: The qualified service agency installing this conversion must enter the day, month, and year, and sign the propane conversion plate added to this appliance.

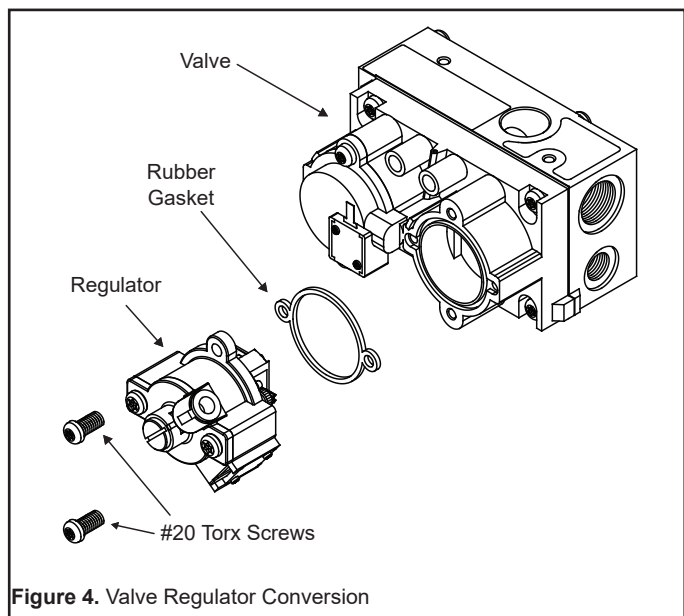


Figure 4. Valve Regulator Conversion

Converting Main Burner & Pilot Orifice

NOTE: Remove burner assembly from the firebox to complete main burner and pilot orifice conversion.

1. Remove existing burner orifice and replace it with the appropriate burner orifice included in the conversion kit. See Table 1. and Figure 5.
2. Set the burner air shutter according to Table 1.

Gas Type	Burner Orifice	Pilot Orifice	Burner Air Shutter
48" NG	#26	0.023	Full Closed
48" Propane	#42	0.014	Remove Air Shutter
60" NG	#23	.023	Full closed
60" Propane	#39	.014	Remove Air Shutter

Table 1.

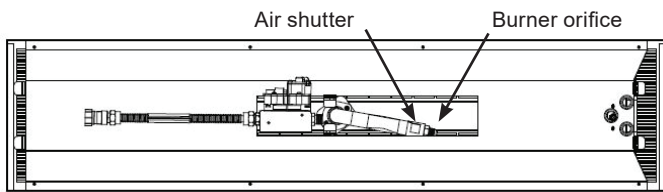


Figure 5. Bottom of engine

3. Grasp pilot firmly and loosen the pilot tube fitting. Remove the existing pilot orifice and replace it with the pilot orifice included in the kit. Ensure the pilot orifice is appropriate for the type of gas to which you are converting the appliance. See Figure 6.
4. Secure pilot assembly to burner assembly with (2) screws.
5. Disconnect green wire attached to the gas valve.
6. Turn on gas supply and electrical power to the appliance.

WARNING

Shock or burn risk.

- Disconnect green wire from gas valve.

Failure to disconnect green wire could result in severe burns.

7. Turn appliance "On" and use a commercially available, non-corrosive leak check solution to test for leaks around the pilot fitting. See Figure 6.
8. Extinguish the pilot flame by turning the appliance "Off".
9. Reconnect green wire to the valve.

10. Turn the appliance "On" and use a commercially available, non-corrosive leak check solution to test for leaks around the newly installed gas valve regulator.
11. Turn the appliance "Off" to extinguish pilot and main burner flames.
12. Be sure to rinse off all leak check solution following testing and prior to placing the appliance into operation.
13. Reinstall the valve compartment lid, secure using (3) screws.
14. Verify that the conversion plate has been signed and dated. Affix the conversion plate adjacent to the rating label.
15. Install glass windshield(s).
16. Install media per the instructions included with the media kit or in the appliance installation manual.

⚠ WARNING

Delayed Ignition Risk

- Place media according to instructions.
- Do NOT place media in area in front of pilot.
- Do NOT place media in a position that they may fall into area in front of pilot.
- Do NOT use any media other than the media supplied with this fireplace.

Fireplace will not function properly.
Delayed ignition may occur.

Note: Appearance of pilot may vary.

(Used in assembly with 2-sided hood).

Figure 6. Pilot Burner Conversion

Propane Gas Appliance Specifications

	Natural Gas	Propane Gas
Min. Gas Supply for Input Adj.	5.0 in. w.c. (1.24 kPa)	11.0 in. w.c. (2.74 kPa)
Max. Gas Supply for Input Adj:	10.0 in. w.c. (2.49 kPa)	13.0 in. w.c. (3.23 kPa)
Max Input:	48" 55,000 BTU/hr (16.11 kW) 60" 65,000 BTU/hr (19 kW)	55,000 BTU/hr (16.11 kW) 65,000 BTU/hr (19kW)
Orifice Size:	48" #26(.147 in) 3.73 mm 60" #23(.154 in) 3.91 mm	#42(.093 in) 2.36 mm #39(.099 in) 2.51 mm

NOTE: Input rate should be reduced by 4% for each 1000 feet above a 2000 foot elevation in the U.S.A. or 10% for elevations between 2000 and 4000 feet in Canada.

Models	Burner Air Shutter
LPK-ODLANAIG48	remove air shutter
LPK-ODLANAIG60	remove air shutter