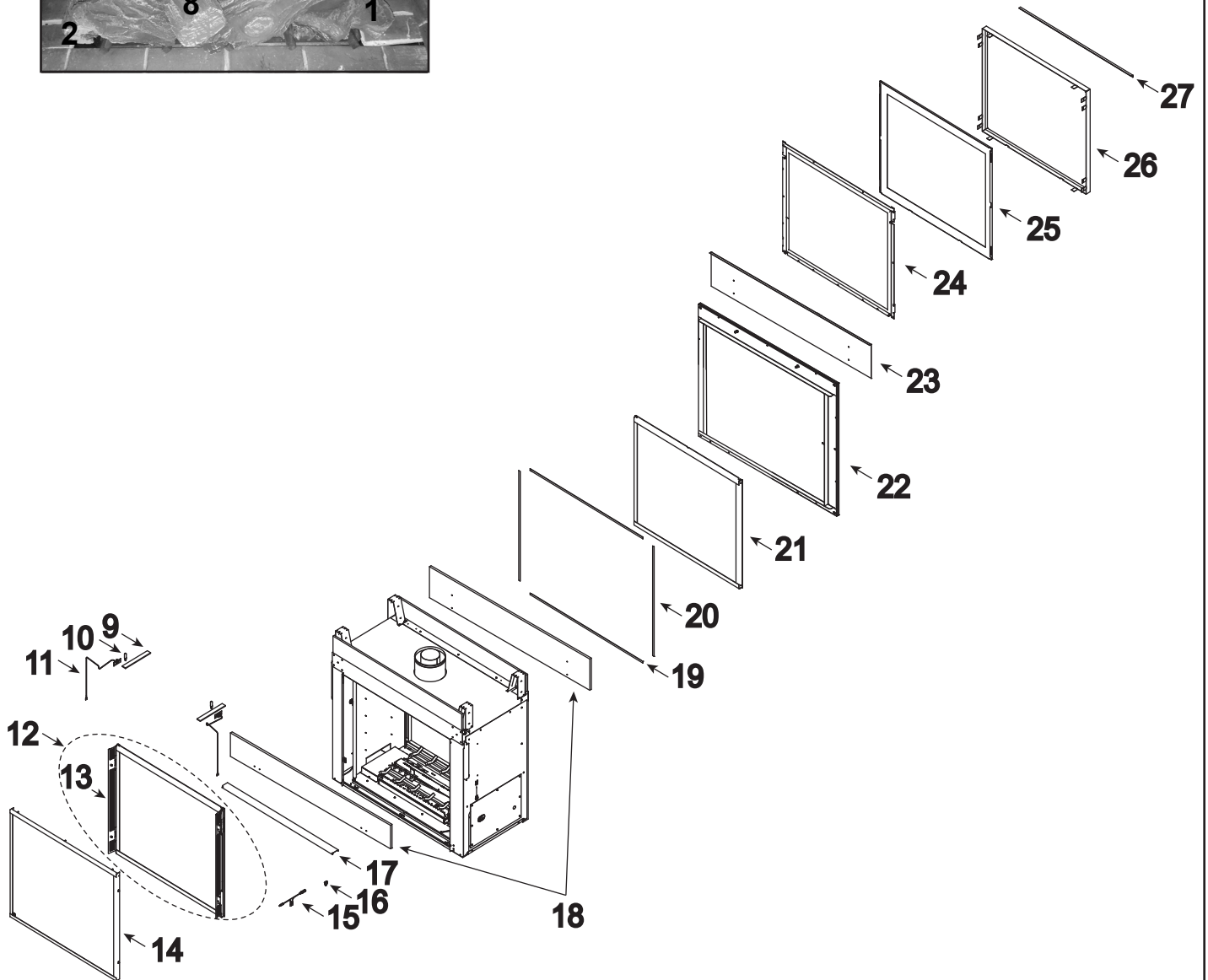
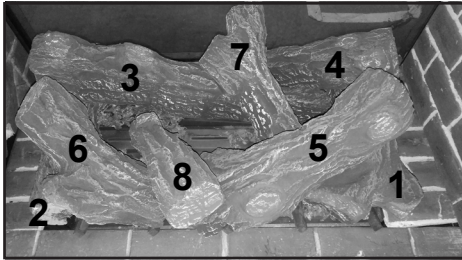


Log Assembly



IMPORTANT: THIS IS DATED INFORMATION. Parts must be ordered from a dealer or distributor. **Hearth and Home Technologies does not sell directly to consumers.** Provide model number and serial number when requesting service parts from your dealer or distributor.

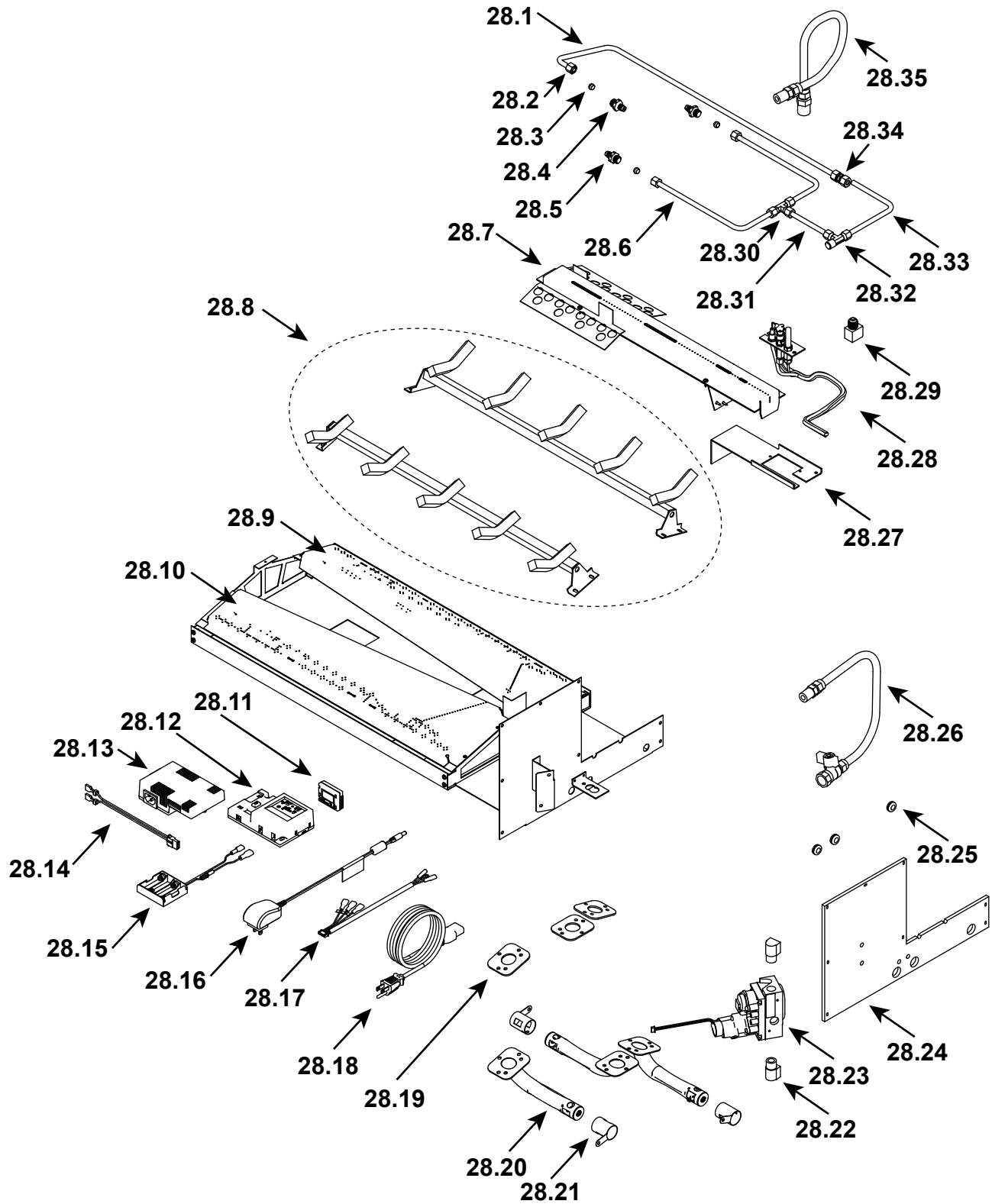


**Stocked
at Depot**

ITEM	DESCRIPTION	COMMENTS	PART NUMBER	Stocked at Depot
	Log Assembly		73D4098K	Y
1	Log #1		73D4090K	
2	Log #2		73D4091K	
3	Log #3		73D4092K	
4	Log #4		73D4093K	
5	Log #5		73D4094K	
6	Log # 6		73D4095K	
7	Log #7		73D4096K	
8	Log #8		73D4097K	
9	Light Lens	Qty 2 req	73D4057K	
10	Halogen Bulb, 90 Watt	Qty 2 req	SRV4602-302	Y
11	Bulb Socket	Qty 2 req	SRV73D4521	Y
12	Indoor Glass Assembly		SRV4602-012	Y
13	Vented Access Panel	Qty 2 req	SRV4602-004	
14	Indoor Barrier Assembly		SRV4602-015	Y
15	Wall Switch Jumper Wire		SRV2179-300	Y
16	Rocker Switch		SRV2206-299	Y
17	Front Cover		73D4524K	
18	Non-Comb Kit		SRV4602-062	
19	Silicone Gasket, OD Face Top/Bottom	Qty 2 req	SRV4602-202	Y
20	Silicone Gasket, OD Face Left/Right	Qty 2 req	SRV4602-203	Y
21	Outdoor Inner Glass Frame Assembly		SRV4602-011	Y
22	Outdoor Frame Weldment		4602-007	
23	Rain Shield Assembly		SRV4602-021	
24	Outdoor Outer Glass Frame Assembly		SRV4602-014	
25	Outdoor Glass Cover		SRV4602-142	
26	SS Barrier Screen Assembly		SRV4602-013	Y
27	Lip		73D4787	
	Restrictor Disc		56D3027K	
	Lens Retainer Bracket	Qty 4 req	26D3320K	

Additional service part numbers appear on following page.

#28 Valve Assembly



IMPORTANT: THIS IS DATED INFORMATION. Parts must be ordered from a dealer or distributor. **Hearth and Home Technologies does not sell directly to consumers.** Provide model number and serial number when requesting service parts from your dealer or distributor.



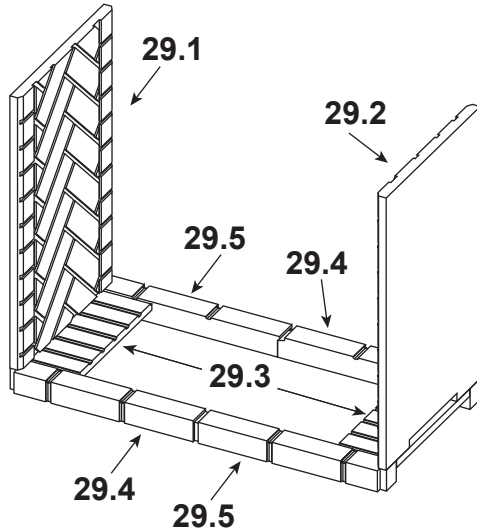
Stocked at Depot

ITEM	DESCRIPTION	COMMENTS	PART NUMBER	
28.1	Tube, Solenoid to Mid burner		73D4061K	Y
28.2	Nut, 1 1/2 UNF, 5/16	Qty 3 req	SRV00K0917	Y
28.3	Ferrule 5/16	Qty 3 req	00K918	Y
28.4	Injector NG Drill #31		SRV70D0064	Y
28.5	Injector NG Drill #46	Qty 2 req	SRV20H3150	Y
28.6	Tube, Tee to Front Burner	Qty 2 req	73D4062	Y
28.7	Center Burner Assembly		SRV4602-005	Y
28.8	Weldment, Grate	Qty 2 req	73D4516	
28.9	Weldment, Burner Front #2		73D4507	Y
28.10	Weldment, Burner Front #1		73D4508	Y
28.11	Module, RF FCC		SRV2326-120	Y
28.12	Module, Control IFT		SRV2326-130	Y
28.13	AUX Module, B-Type		SRV2326-150	Y
28.14	Lighting Harness		SRV4601-201	Y
28.15	** Battery Pack		SRV2326-134	Y
28.16	Transformer, 6 Volt Wall		SRV2326-131	Y
28.17	Harness, IFT 6 Pin Wiring		SRV2326-132	Y
28.18	Cable, B Type AC Module		SRV2326-152	Y
28.19	Gasket, Venturi DV	Qty 3 req	SRV45D0032	Y
28.20	Venturi w/Screw	Qty 3 req	SRV69D1026	Y
28.21	Air Shutter	Qty 3 req	SRV69D1027	Y
28.22	Elbow-Street 3/8" x 3/8" 90 Degree	Qty 2 req	69882	Y
28.23	Valve, IPI NG		SRV2166-302	Y
	Valve, IPI Propane		2166-303	Y
28.24	Engine Gasket		SRV4602-204	Y
28.25	Grommet, Split	Qty 3 req	2146-420	
28.26	Flexline, 18" w/Shutoff Valve		SRV69D0030	Y
28.27	Pilot Sheild		SRV4602-153	
28.28	4 Way PSE Pilot, NG		SRV4602-300	Y
28.29	Brass Elbow, 3/8" Flare x 1/4" FPT		73D0127	Y
28.30	Brass Tee, 5/16" Compression		SRV43D0181	Y
28.31	Straight Tube, .313 Diameter x 4.562		SRV4602-104	Y
28.32	Brass Tee, 5/16" Compression x 1/4" MPT		73D0126	Y
28.33	Tube, Venturi to Flex Outlet 90		SRV4602-154	Y
28.34	Fitting Brass, Union 5/16" Compression		37D0713	Y
28.35	10-2131-18 SS Flex Hose		20H0022	Y

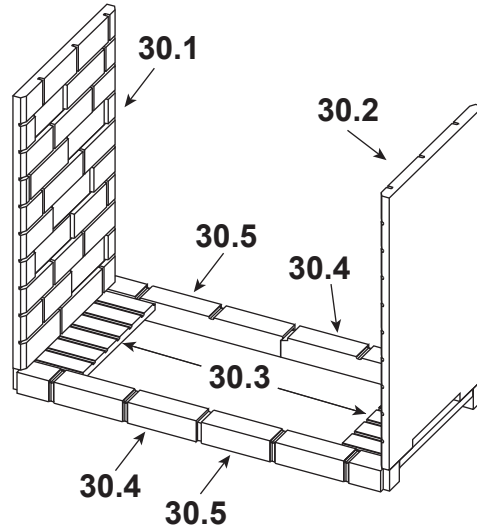
**Fuse for battery pack can be sourced locally, not a warranty item. Specs are 250v, 3A fuse, 3/4" long

Additional service part numbers appear on following page.

#29 Herringbone Brick



#30 Traditional Brick



IMPORTANT: THIS IS DATED INFORMATION. Parts must be ordered from a dealer or distributor. **Hearth and Home Technologies does not sell directly to consumers.** Provide model number and serial number when requesting service parts from your dealer or distributor.



Stocked at Depot

ITEM	DESCRIPTION	COMMENTS	PART NUMBER	
29	Brick, Herringbone		ODFORTG36-IH	
29.1	Brick, Wall Engine Side		73D4143K	
29.2	Brick, Wall Air Side		73D4144K	
29.3	Brick, Floor	Qty 2 req	73D4145K	
29.4	Brick, Front Left	Qty 2 req	73D4146K	
29.5	Brick, Front Right	Qty 2 req	73D4147K	
30	Brick, Traditional		ODFORTG36-IT	
30.1	Brick, Wall Engine Side		73D4149K	
30.2	Brick, Wall Air Side		73D4150K	
30.3	Brick, Floor	Qty 2 req	73D4151K	
30.4	Brick, Front Left	Qty 2 req	73D4152K	
30.5	Brick, Front Right	Qty 2 req	73D4153K	
	Remote, RC400		SRV2326-110	
Conversion Kits				
	Conversion Kit NG		N/A	
	Conversion Kit Propane		LPK-ODFORTG-36	Y
	Pilot Orifice, Propane		SRV4602-301	Y
	Injector MED VF Front		SRV58D0056	Y
	Injector EDVLIN Drill #5		57D0608	Y
	Regulator, Propane		SRVLPK-DXV-50	Y