



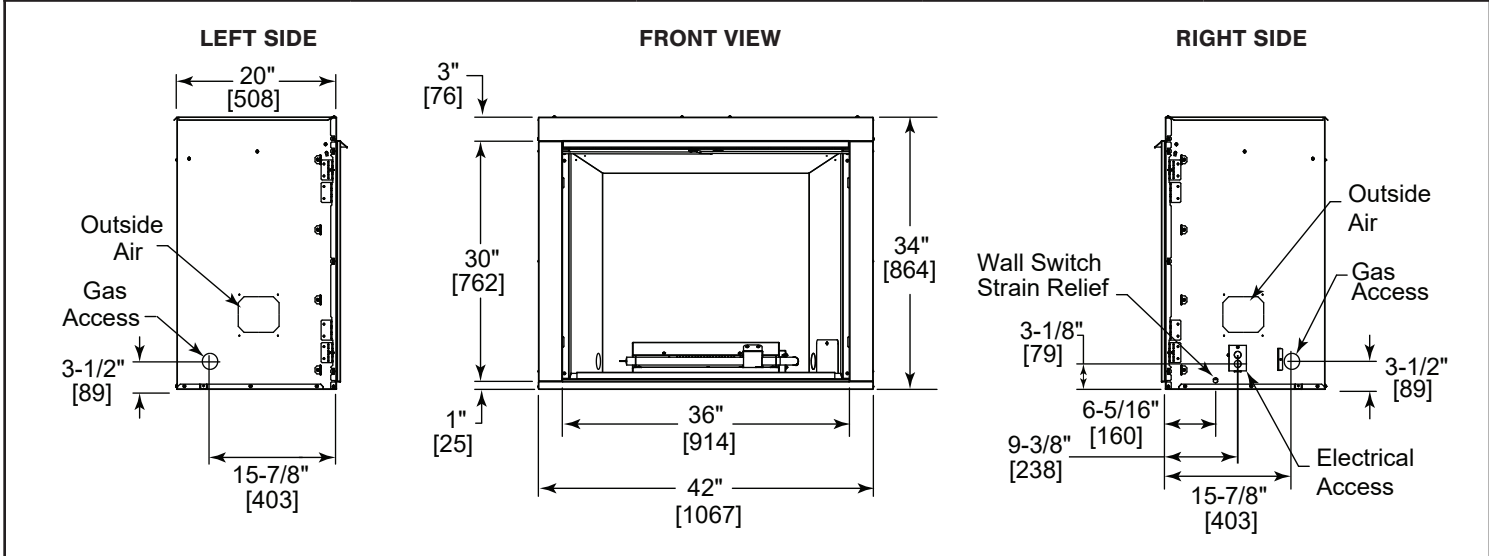
COURTYARD 36"

Outdoor Gas Fireplace

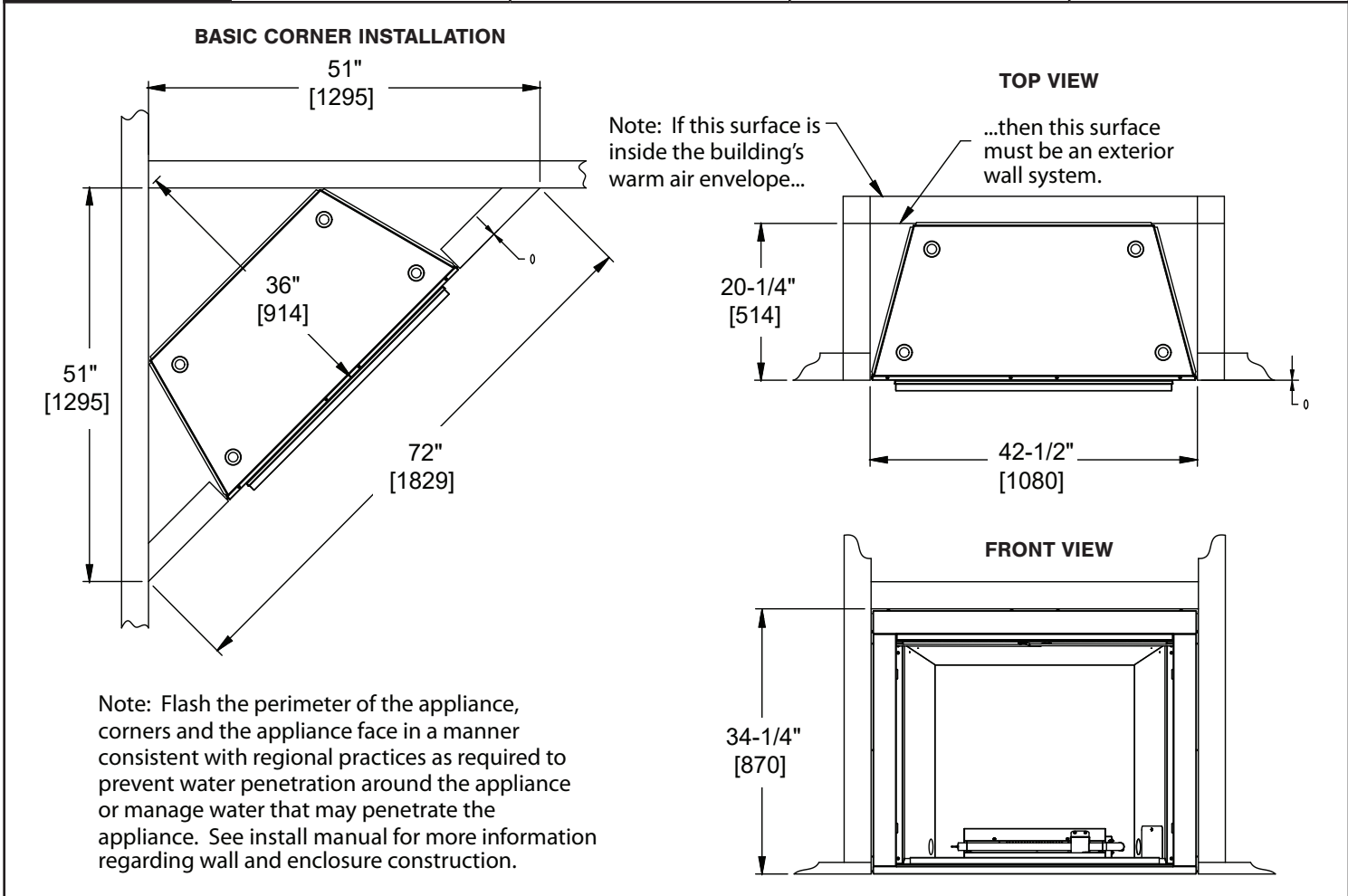
Scan QR code for installation manual for final dimensions and requirements.



ACTUAL DIMENSIONS	FRONT WIDTH	HEIGHT	DEPTH	FIREBOX OPENING
	36" [914]	34" [864]	20" [508]	36" x 30" [914 X 762]



FRAMING DIMENSIONS	FRONT WIDTH	HEIGHT	DEPTH	WEIGHT
	42-1/2" [1080]	34-1/4" [870]	20-1/4" [514]	90 LBS [198 KGS]



APPLIANCE LOCATION

30% (or .30) of the outdoor living space periphery needs to be open.

- Add lengths of the outside living space.
 $16' + 20' + 16' + 20' = 72'$
- Divide the open area length by the total outdoor living space.
 $20/72 = .28$

.28 is less than the .30 required and therefore this installation would not be approved.

- Add lengths of the outside living space.
 $12' + 20' + 12' + 20' = 64'$
- Divide the open area length by the total outdoor living space.
 $20/64 = .31$

.31 is greater than the .30 required and therefore this installation would be approved.

CLEARANCES TO COMBUSTIBLES

NOTICE: Vinyl siding must not be placed between the appliance opening and the ceiling/overhang.

Combustible flooring may be installed next to the front of the appliance.

Perpendicular

MANTEL AND WALL PROJECTIONS

Unit

6.00"

Gray area is combustible material

White area is non-combustible material only

Minimum Side Wall

9.00"

12.00"

COMBUSTIBLE/NONCOMBUSTIBLE MANTELS

18 in. Maximum

23 in.

14 in.

3 in. Min. (Combustible Mantle)

Measured from top of appliance opening

Minimum Vertical and Maximum Horizontal Dimensions of Combustible and Noncombustible

Note: Reducing clearances further requires non-combustible construction materials (eg: steel studs, durock, etc) to a height of 12 inches above the framing height.

PRODUCT LISTING CODES	
US	UL127
CAN	ULC-S610-M87