

Courtyard Conversion Kit

For use with ODCOUG-36NR, ODCOUG-36TS, ODCOUG-42NR, ODCOUG-42TS

Models: ODCOUG-NGK Propane to Natural Gas Conversion ODCOUG-LPK Natural Gas to Propane Conversion

INSTALLER: Leave this manual with party responsible for use and operation.

OWNER: Retain this manual for future reference.

⚠ Caution!

The gas supply must be shut off prior to disconnecting the electrical power before proceeding with the conversion.

⚠ DANGER

FIRE OR EXPLOSION HAZARD

If you smell gas:

- Shut off gas to the appliance.
- Extinguish any open flame.
- If odor continues, leave the area immediately.
- After leaving the area, call your gas supplier or fire department.
- Failure to follow these instructions could result in fire or explosion, which could cause property damage, personal injury, or death.

⚠ WARNING

Do not store or use gasoline or other flammable vapors and liquids in the vicinity of this or any other appliance

An LP-cylinder not connected for use shall not be stored in the vicinity of this or any other appliance.

⚠ WARNING: For outdoor use only.

Installation and service must be performed by a qualified installer, service agency, or the gas supplier.

⚠ WARNING: Improper installation, adjustment, alteration, service or maintenance can cause injury or property damage. Read the installation, operating and maintenance instructions thoroughly before installing or servicing this equipment.

⚠ WARNING: If the information in this manual is not followed exactly, a fire or explosion may result causing property damage, personal injury, or loss of life.

⚠ DANGER



CARBON MONOXIDE HAZARD

This appliance can produce carbon monoxide which has no odor.

Using it in an enclosed space can kill you.

Never use this appliance in an enclosed space such as a camper, tent, car or home.

Before You Start

This conversion shall be installed by a qualified service agency.

Any damaged valve components should not be installed. If a valve or regulator has been dropped or appears to have been modified, the valve or regulator should not be installed.

KIT CONTENTS

Gas Valve Regulator with Rubber Gasket	One (1)
Pilot Orifice	One (1)
Conversion Plate	One (1)
Gas Type Label	One (1)
Burner Orifice	One (1)

Installation and service of this appliance should be performed by qualified personnel. Hearth & Home Technologies recommends HHT Factory Trained or NFI certified professionals.



Accessing Gas Control Valve

NOTE: Gas components are located within the appliance valve compartment. The Valve Access Cover must be removed to access components.

1. Turn off gas supply and allow the unit to cool.
2. Disconnect power at GFCI circuit breaker.
3. Remove logs and grate, vacuum media from the appliance.
4. Remove the Valve Access Cover by grasping cover by the edges lift and pull forward out of the appliance. Gas components should now be accessible. See Figure 1.

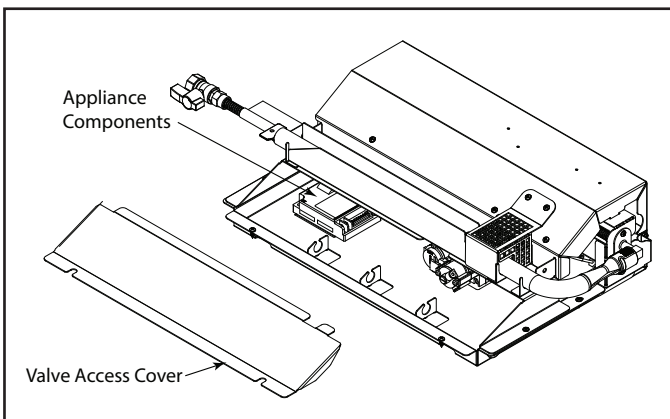


Figure 1

5. Remove Rear Cover by removing (3) screws securing cover to assembly. Lift Rear Cover and Pilot Shield straight up and set aside. See Figure 2.

6. Lift burner tube up from the left end allowing the air-shutter to pivot at the bulkhead. Lift until the tube clears all the tube support brackets and pull straight out.
7. Remove Burner Wind Shield. See Figure 2.

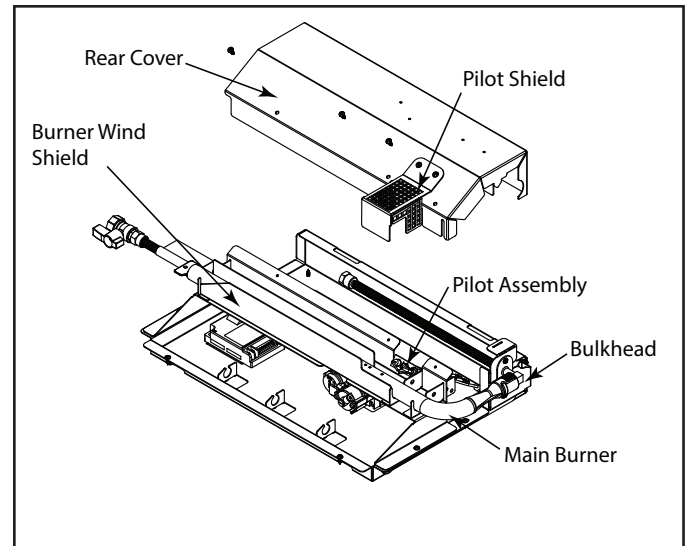


Figure 2

8. Remove (2) screws securing Burner Support to base. Lift support to gain access to bottom valve regulator screw. See Figure 3.

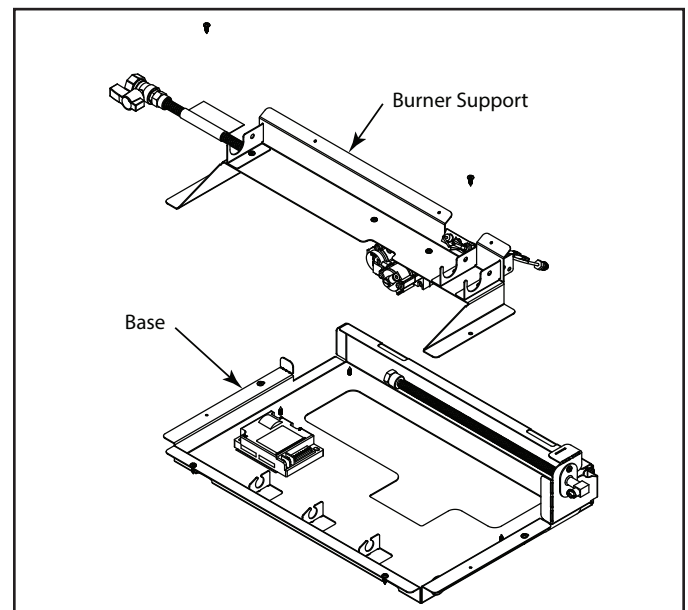



Figure 3


Converting Gas Control Valve

1. Locate the gas valve. Using a #20 tamper-proof Torx screwdriver, remove the regulator and rubber gasket on face of valve. See Figure 4. Discard both the regulator and rubber gasket.
2. Install the new regulator along with the new rubber gasket included in the conversion kit. See Figure 4.

⚠ WARNING



Fire Risk
Explosion Risk
Gas Leak Risk



- Rubber gasket must be seated properly on valve face.
- Do not install a valve or regulator that has been dropped.

3. Place the gas type label on the appliance adjacent to rating plate. Ensure the gas type label is appropriate for the type of gas to which you are converting the appliance.
4. Reinstall Burner Support; secure support to base using (2) screws, removed in Step 8 above.

Note: The qualified service agency installing this conversion must enter the day, month, and year, and sign the conversion plate added to this appliance.

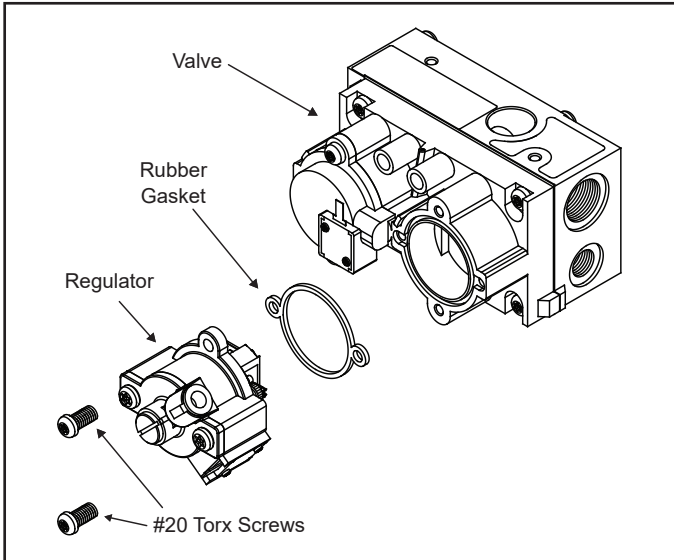


Figure 4

Converting Main Burner & Pilot Orifice


1. Replace the orifice located on the end of the bulk-head with the appropriate orifice (supplied) for the type of conversion being performed. See Table 1.
2. Adjust the air shutter by loosening the screw securing air shutter. Rotate shutter to the appropriate settings for the type of conversion being performed and re-tighten screw. See Table 1.
3. Set the burner tube aside and continue on with the conversion process by locating the pilot assembly.

Gas Type	Burner Orifice	Pilot Orifice	Burner Air Shutter
NG	#25	0.023	1/16" Open
Propane	#44	0.014	Fully Open

Table 1.

4. Grasp pilot firmly and loosen the pilot tube fitting. Remove the existing pilot orifice and replace it with the pilot orifice included in the kit. Ensure the pilot orifice is appropriate for the type of gas to which you are converting the appliance. See Figure 5.
5. Replace Burner Wind Shield. See Figure 2.

⚠ WARNING




Shock or burn risk.

- Disconnect green wire from gas valve.

Failure to disconnect green wire could result in severe burns.

6. Holding the left end of the burner tube up at an angle with the air shutter at the lowest point. Slip the air shutter over the orifice and rotate the tube down over the support brackets until coming to rest on the burner attachment bracket.
7. Disconnect green wire attached to the gas valve.
8. Turn on gas supply and electrical power to the appliance.
9. Turn appliance "On" and use a commercially available, non-corrosive leak check solution to test for leaks around the pilot fitting. See Figure 5.
10. Extinguish the pilot flame by turning the appliance "Off".
11. Reconnect green wire to the valve.
12. Turn the appliance "On" and use a commercially available, non-corrosive leak check solution to test for leaks around the newly installed gas valve regulator.
13. Turn the appliance "Off" to extinguish pilot and main burner flames.
14. Be sure to rinse off all leak check solution following testing and prior to placing the appliance into operation.
15. Reinstall Rear Cover using (3) screws previously removed.
16. Verify that the conversion plate has been signed and dated. Affix the conversion plate adjacent to the rating label.
17. Reinstall Valve Access Cover.
18. Install media per the instructions included with the media kit or in the appliance installation manual.

⚠ WARNING



Delayed Ignition Risk

- Place media according to instructions.
- Do NOT place media in area in front of pilot.
- Do NOT place media in a position that they may fall into area in front of pilot.
- Do NOT use any media other than the media supplied with this appliance.

Appliance will not function properly.
Delayed ignition may occur.

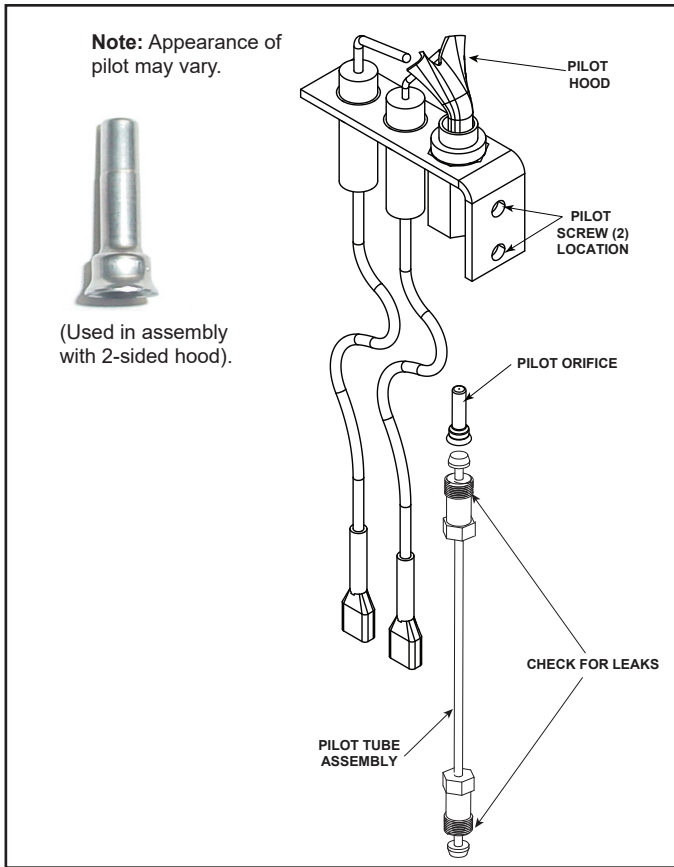


Figure 5

Gas Appliance Specifications

	Natural Gas	Propane Gas
Min. Gas Supply for Input Adj.....	5.0 in. w.c. (1.24 kPa)	11.0 in. w.c. (2.74 kPa)
Max. Gas Supply:.....	10.0 in. w.c. (2.49 kPa)	13.0 in. w.c. (3.23 kPa)
Max Input:.....	55,000 BTU/hr (16.19 kW)	53,000 BTU/hr (15.53 kW)
Orifice Size:.....	#25 / .1495 in. (3.79 mm)	#44 / .086 in. (2.18 mm)

NOTE: Input rate should be reduced by 4% for each 1000 feet above a 2000 foot elevation in the U.S.A. or 10% for elevations between 2000 and 4000 feet in Canada.



by hearth & home technologies®

Outdoor Lifestyles, a brand of Hearth & Home Technologies

7571 215th Street West, Lakeville, MN 55044

www.hearthnhome.com

Please contact your Outdoor Lifestyles dealer with any questions or concerns.
For the location of your nearest Outdoor Lifestyles dealer,
please visit www.hearthnhome.com.