

# Cottagewood Drain Pan

## Installation Instructions

**Model: ODCTGWD-DP36, ODCTGWD-DP42**  
**For use with ODCTGWD-36, ODCTGWD-36H, ODCTGWD-42, ODCTGWD-42H**

Silicone should be applied to the back corners of the drain pan to completely seal pan. The bottom of the drain pan can be installed directly on top of enclosure or waterproof membrane. (Please note, this pan can be modified to allow the most effective means of getting moisture from the enclosure.)

### Before You Start

The drain pan is designed to channel moisture to the front of the enclosure. Care must be taken to ensure there is a 1/4" slope per foot in the enclosure to make sure water is drained away from appliance.

### TOOLS REQUIRED

Silicone suitable for outdoor use

## Installation Instructions

1. Silicone rear corners of drain pan and attach drain pan under appliance. See Figure 1.

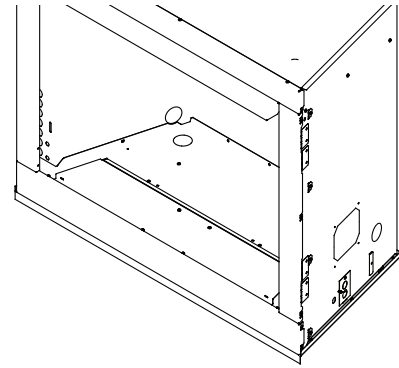


Figure 1. Attach drain pan under appliance

2. Position drain pan lip on front of enclosure so it drains to front of enclosure. The membrane or flashing will be under drain pan.
3. The enclosure is to be at an angle at least 1/4" per foot slope to ensure proper drainage. See Figure 2.
4. Make sure Open area at weep holes or drainage slots are clear of all debris.

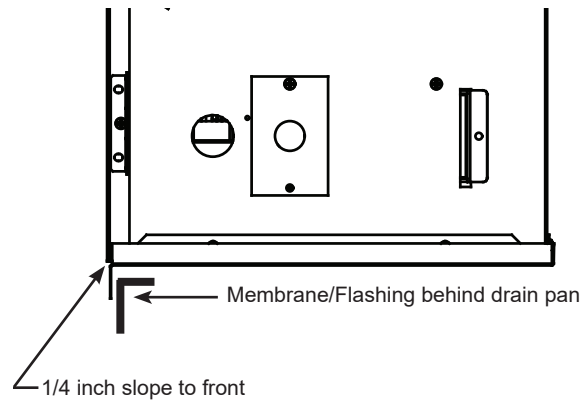


Figure 2. Drain pan installed under appliance.

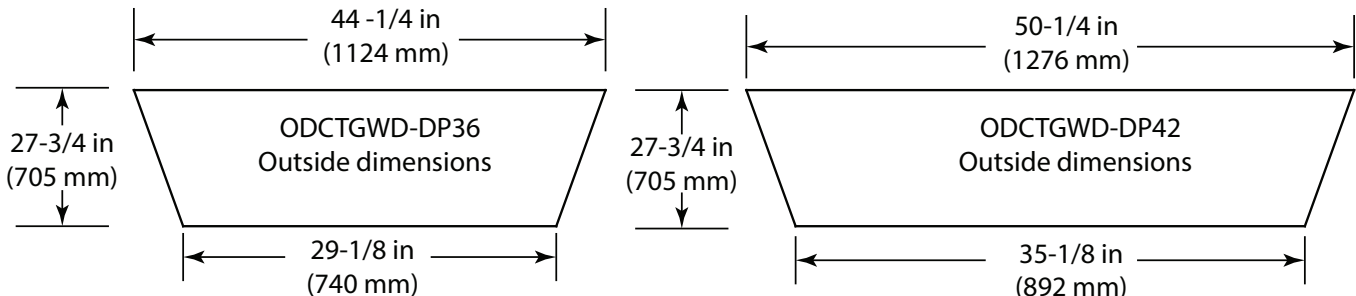


Figure 3. Drain pan dimensions