

GAS TORCH INSTALLATION / MAINTENANCE

SPECIAL NOTE

Torches are set for 7" Water Column pressure on natural gas and 11" W.C. pressure for LP

FOR YOUR SAFETY

If you smell gas:

1. Shut off gas to appliance.
2. Extinguish any open flame.
3. If odor continues, immediately call your gas supplier.

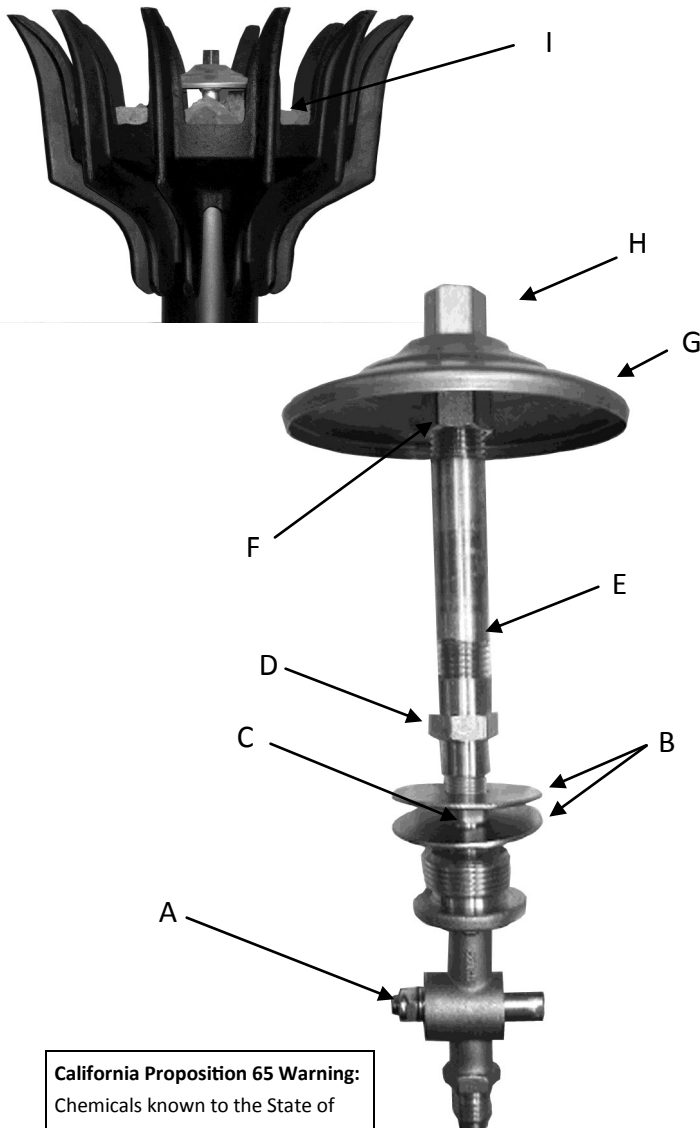
FOR YOUR SAFETY

Do not place combustible materials near this appliance. Do not store or use gasoline or other flammable vapors and liquids in the vicinity of this or any other appliance.

FOR YOUR SAFETY

The installation of this torch must conform with all local codes or, in the absence of local codes, with the latest edition of the National Fuel Gas Code ANS Z21.42-1993.

THESE INSTRUCTIONS SHOULD BE LEFT WITH THE CONSUMER.
KEEP THESE INSTRUCTIONS FOR FURTHER REFERENCE.



Item	Part. No.	Description
A	GLV-LT	Torch Valve (No orifice special thread)
B	N/A	(2) S.S. Washers 3/8" x 1-1/2"
C	122-A	1/8" Pipe Nipple
D	119-BA	1/4" to 1/8" Reducer
E	113-B2 1/2	1/4" Pipe Nipple
F	120-BA	Orifice Head (Specify Natural or LP)
G	N/A	Flame Deflector
H	108A	1/8" Pipe Cap
I	N/A	Lava Rock

NOTE: Torches are made to be mounted on a standard 3" O.D. gas lamp post.

ALSO, IT IS VERY IMPORTANT TO USE THE PROPER TORCH FOR NATURAL OR FOR L.P. GAS.
THERE IS A DIFFERENCE! MAKE SURE TO SPECIFY!

These torches are designed to perform admirably under a variety of weather conditions, but strong wind gusts and/or rain may extinguish the flame. If this occurs, simply turn the gas OFF at the torch valve, let any remaining gas dissipate and clear for a few minutes, and relight if conditions improve.

The sheer nature of having a visible yellow flame will result in some smoke or soot during operation, especially on LP gas.

California Proposition 65 Warning:
Chemicals known to the State of California to cause cancer, and birth defects or other reproductive

POST & TUBING

The proper 3" gas post and copper tubing selection is essential. It is recommended that 1/4" soft copper tubing be used with 1/4" flare nuts used on both ends.

NOTE: The torch is for outdoor installation only and must be installed at least 60" (5 ft.) in any direction from any combustible materials.

POST INSTALLATION

1. Dig a hole approximately 12 inches in diameter and 24 inches deep. Place some large gravel at the bottom for the post to rest on.
2. Set the post in the center of the hole. Brace the post in a plumb (vertical) position and pour concrete (about 1 80 lb. bag) around the post to just below the gas line access hole.

Let the concrete set hard before continuing.

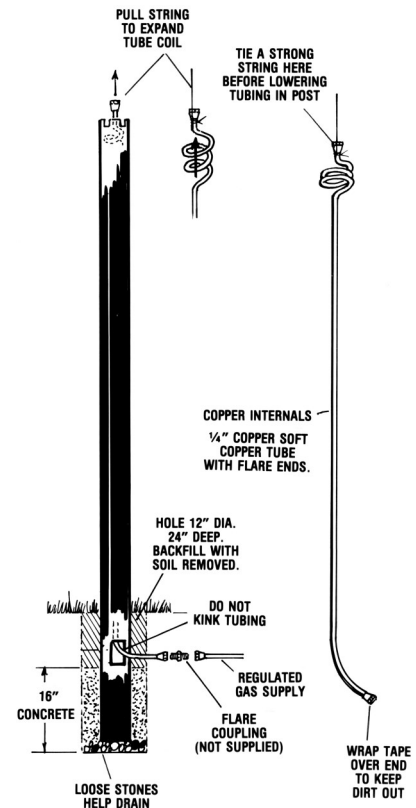
3. Trench the gas line from the house. There must be a gas shut off valve in a convenient location on the gas supply line. The trench can be 8" to 10" deep and the gas line can be protected from accidental digging by laying some treated boards on top before back filling.

PUT TUBING IN POST

1. Put some tape over the lower end of the copper tubing before lowering it into the post. This will keep dirt out until the connection is made. **Also, tie a piece of strong string on the upper end of the tubing.** As the tubing is lowered, gently pull the lower end of the access hole forming a slow curve out to the trench. Try NOT to kink the tubing. If a kink occurs, squeeze the tubing at the kink with pliers to reform it.
2. Connect the internal tubing to the gas supply line in the trench using a flare coupling (not supplied) of 1/4" on the torch end and fitted to the supply line flare on the other end. **No sealant is necessary for flare fitting. USE TWO WRENCHES FOR TIGHTENING.**
3. At the top of the post, pull the string to stretch the copper tubing coils and raise the top flare fitting. Remove the string.

INSTALL TORCH

1. Holding the torch above the post, thread the flare nut from the post's copper tubing onto the 1/4" male adapter that is at the bottom of the torch burner assembly. Use two wrenches and tighten.



2. Be certain the torch gas valve is in the OFF position (screwdriver slot horizontal). Turn on the main gas supply and check all connections for leaks using a 50/50 mix of detergent and water. Retighten all leaks if necessary.
3. Carefully lower the torch onto the valve and the torch onto the post. Take care not to crimp or kink the tubing.
4. Align the slot in the top of the post with the screwdriver access hole in the torch collar and align the valve ON/OFF stem with the access hole also. Make sure that the valve's ON/OFF screwdriver slot is not below the "U" shaped cut-out of the post otherwise it will not be accessible to turn the torch on and off. Tighten the (3) lock screws in the collar to hold the torch to the post. The torch may be repositioned to face a different direction after the valve and burner are tightened together by loosening the collar lock screw
5. Carefully place the lava rock into the torch bowl surrounding the burner and evenly disperse it.
6. Carefully using a long butane lighter or suitable fireplace match, turn on the torch valve and light the torch. **THE INITIAL LIGHTING MAY GENERATE A QUICK BURST OF FLAME BENEATH THE ROUND UPPER BRASS "HAT".**

CAUTION: While in operation and for some time after extinguishing, the torch body will be very hot.