

# Montlake™ ML300GL

## Appliance Specifications - Wood-Burning Fireplace Inserts

Product Reference Information			
Cat. No.	Description	Ship. Weight	Ship. Volume
F3834	Montlake™ 300GL Wood-Burning Insert	428 lb.	31 cu. ft.

### NOTES:

- Dimensions shown are approximations only (+/- 1/4")
- Diagrams, illustrations and photographs are not to scale – consult installation instructions. Product designs, materials, dimensions, specifications, colors and prices are subject to change or discontinuance without notice.
- Approved for residential installations.
- Optional Kits Available:  
Door Trim Kit

❶ Square-foot heating capacities and burn times are approximations only. Actual performance may vary depending upon home design and insulation, ceiling heights, climate, condition and type of wood used, appliance location, burn rate, accessories chosen, chimney installation and how the appliance is operated.

### Specifications

Flue Size	6" (152 mm)
Log Length	17" W x 21" D Max. (431.8mm W x 533mm D Max.)
Firebox	18.2" W x 21.23" D x 13" H Max. (462mm W x 539.24mm D x 330.2mm H Max.) Volume = 2.91 cu. ft.
Glass Viewing Area	16-1/2" W x 11-5/16" H (419mm W x 287mm H)
EPA Test Load: Cord Wood: ❶	29,181 BTUs/hr. 100,000 BTUs/hr.
Maximum Burn Times ❶	14 hours
Heating Capacity ❶	2000 to 3000 sq. ft.

The Montlake™ Model ML300GL wood-burning fireplace insert is safety listed with the following agency:

- Listing Agency: PFS Corporation. Listed to UL 1482, ULC S628

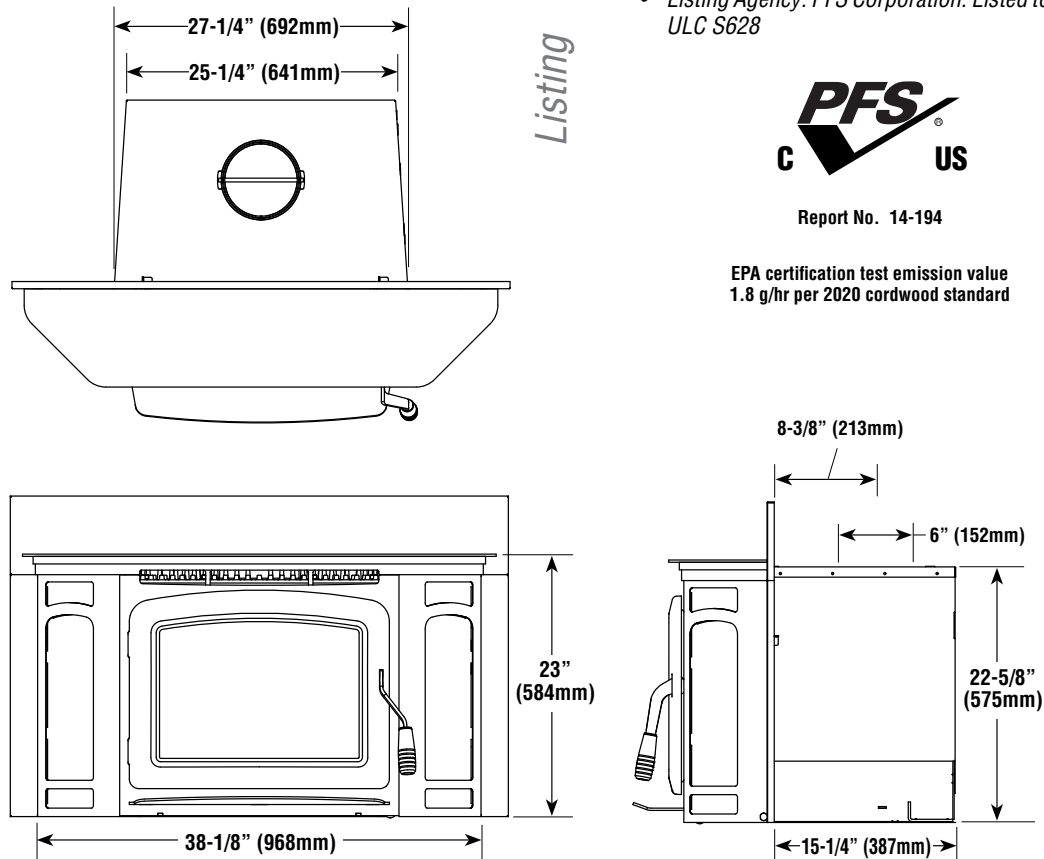
### Listing



Report No. 14-194

EPA certification test emission value  
1.8 g/hr per 2020 cordwood standard

### Dimensions



# Montlake™ ML300GL

## Clearances

Model	A*	B*	C*	D*	E(1)
ML-300GL	USA-26" CAN-660mm	USA-24" CAN-610mm	8" 203mm	8" 203mm	USA-8" CAN-203mm

Model	F (1)	G	H	J(2)	M
ML300GL	USA-18" CAN-450mm	USA-15" CAN-381mm	22-5/8" 575mm	5-3/8" 137mm	USA-48-3/4" CAN-1238mm

\* Reduced clearances may be available for A, B, C and D dimensions per NFPA 211 - latest edition, Standard for Chimneys, Fireplaces, Vents and Solid Fuel-Burning Appliances (in Canada CSA B365 - latest edition). See section on "Reduction of Appliance Clearance with Specified Forms of Protection."

\*\* Side view of optional mantel deflector shown.

(1)(USA) 18" minimum hearth extension on all stoves and inserts as measured from the door opening of the unit. (Canada) 18" (450 mm) minimum hearth extension on all stoves and inserts as measured from the door opening of the unit. Minimum distance of floor protection to the side = 8" (200 mm). This is measured from the sides of the door opening in the USA and from the sides of the insert in Canada.

(2) J = Maximum lintel depth without flue offset or smoke deflector.

### NOTES:

- Facing material that projects more than 3/4" (19 mm) from the wall is considered a mantel or side wall.

## Minimum Fireplace Size

	Montlake™ 300GL	ZC Fireplace UL 127	Masonry Fireplace UBC Chapter 37
G	Depth Min.	16-1/2" (419mm)	16-1/2" (419mm)
H	Height Min.	23-1/2" (597mm)	23-1/2" (597mm)
J	Lintel Max. Depth ①	5-3/8" (137mm)	5-3/8" (137mm)
K	Front Width Min.	36" (914mm)	29-1/2" (749mm)
L	Rear Width Min.	26-1/4" (667mm)	27-1/4" (692mm)

① Without use of adjustable offset box or smoke deflector

## Hearth

Hearth Extension / Thermal Protection Requirements			
Bottom Clearance	Thermal Protection Thickness	Hearth Extension Depth	
		USA	Canada
0" (0mm)	2-1/2" (64mm)	18" (450mm)	18" (450mm)
8" (203mm)	0" (0mm)	18" (450mm)	18" (450mm)

\*Distance between hearth and the bottom of the appliance

