

**Models:**  
**TCT1175**  
**Terra Cotta Termination Cap**

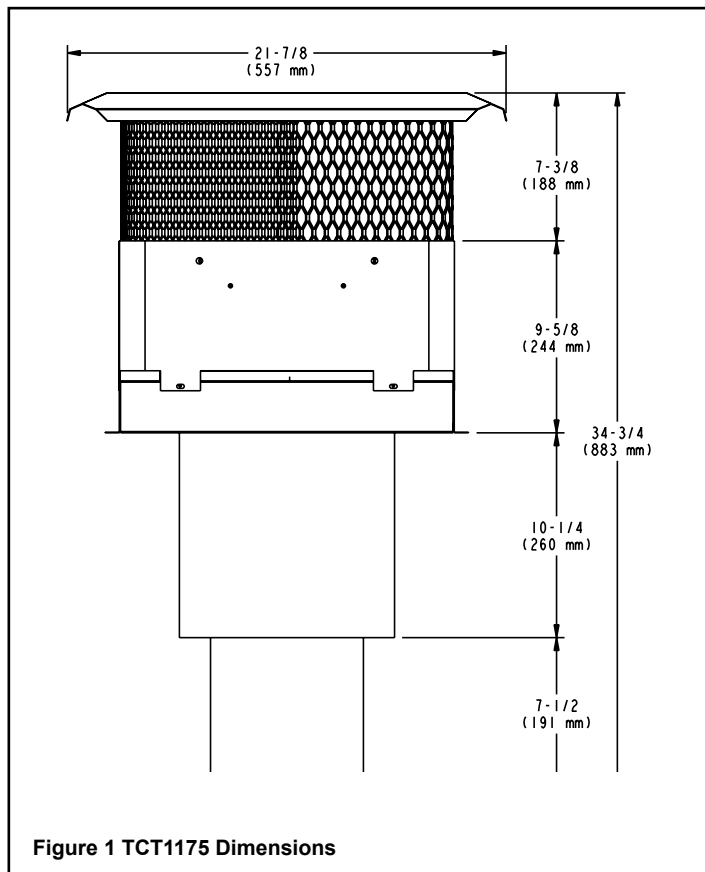


This chimney termination cap has been tested for use with specific Hearth & Home Technologies fireplaces. Check with your local building code agency before you begin installation to ensure compliance with local codes, including the need for permits and follow-up inspections. If you encounter any problems regarding code approvals, or if you need clarification of any of the instructions contained here, contact your Hearth & Home Technologies dealer. For the dealer nearest you, please visit [www.hearthnhome.com](http://www.hearthnhome.com)

**CAUTION! Risk of Cuts/Abrasions.** Wear protective gloves and safety glasses during installation. Sheet metal edges are sharp.

**Note:** An arrow (➔) found in the text signifies change in content.

**WARNING! Risk of Fire.** Intended for use with a metal chase top only.



## 1. Chase Top

The chase top must have structural support under it to support the cap and to provide anchor points for the cap. See Figure 2 for minimum dimensions. Attach the chase top. Proceed to Step 2.

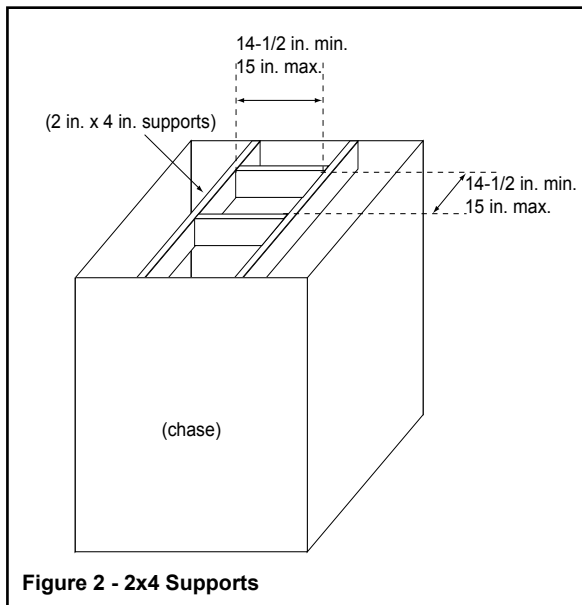


Figure 2 - 2x4 Supports

If you are unable to put supports under the chase top to support the cap (as shown in Figure 2), we suggest using two pieces of aluminum angle (1/2 inch x 3/4 inch).

- Cut the pieces so the lengths equal the depth at the narrow outside dimension of the chase. See Figure 3.

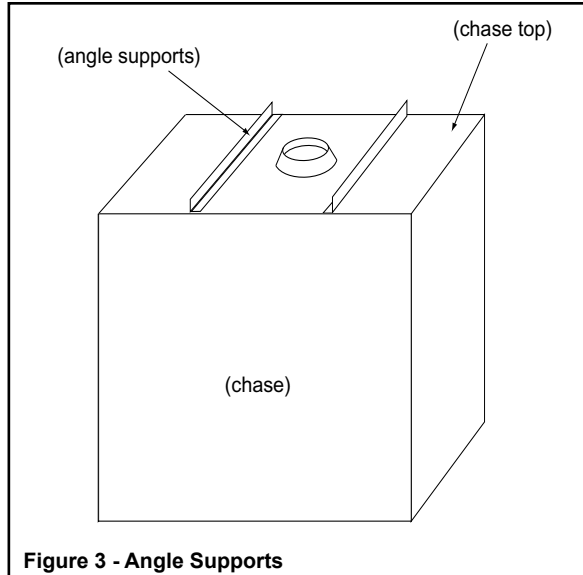


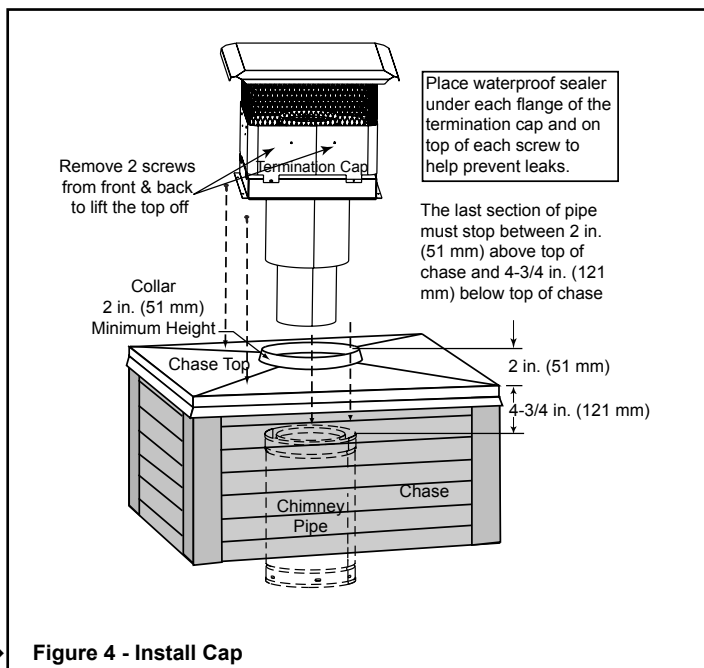
Figure 3 - Angle Supports

- Install the cap on the chimney pipe so it rests on the chase top.
- Slip the two pieces of aluminum angle (wide flange down) under the bottom lip of the cap on two sides. The angle can be fastened down at the ends of the chase. Make sure the pieces are tight against and supporting the cap before you fasten the ends.
- Fasten and seal the four ends of the angle.
- Fasten and seal the cap to the angle.
- Caulk all screws (or nails) in the chase top.

➔ **Note:** The last chimney section must be located within 2 inches above or 4-3/4 inches below the chase top. See Figure 4.

## ➔ 2. Install Chimney Sections and Cap (See Figure 4)

- Assemble the SL Series chimney sections to between 4-3/4 inches below the chase top and 2 inches above the chase top.
- Remove the top of the Terra Cotta Cap.



➔ Figure 4 - Install Cap

- Center the base of the termination cap over the chimney (inside the chase) and slide the inner flue inside the inner flue of the chimney and the outer section over the outside of the chimney.
- Adjust the termination cap so the cap is square with the chase and mark the position using the holes provided in the feet as a guide.
- Drill through the chase top using a 1/8 inch diameter drill at the marked locations. Securely attach the cap to the chase using the screws provided in the fastener package.
- Assemble the top of the termination cap.
- Caulk all screws (or nails) in the chase top.

➔ **Note:** Periodic re-caulking may be needed to prevent leaks from developing.