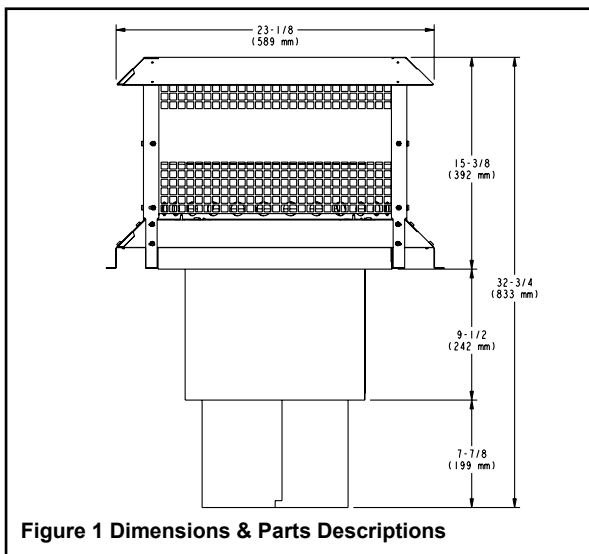


Models:

ST1175

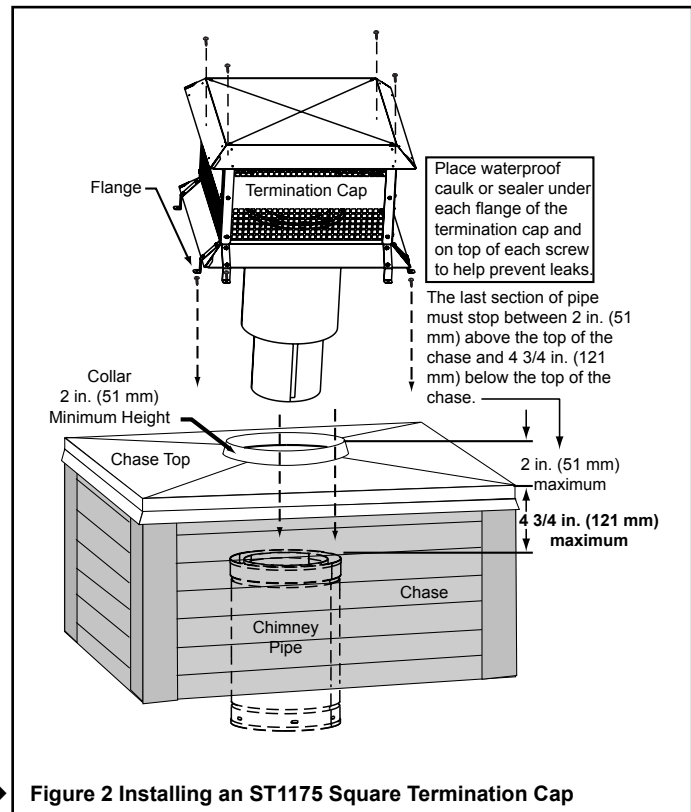
Termination Cap

These chimney termination caps have been tested for use with specific Hearth & Home Technologies (HHT) fireplaces and is a fireplace part. Refer to the fireplace installation instructions for the correct accessories to be used. Check with your local building code agency before you begin installation to ensure compliance with local codes, including the need for permits and follow-up inspections. If you encounter any problems regarding code approvals, or if you need clarification of any of the instructions contained here, contact your Hearth & Home Technologies dealer. For the dealer nearest you, please visit www.hearthnhome.com.



➔ Figure 1 Dimensions & Parts Descriptions

CAUTION! Risk of Cuts/Abrasions. Wear protective gloves and safety glasses during installation. Sheet metal edges are sharp.



WARNING! Risk of Fire. Intended for use with a metal chase top only.

1. Assemble the SL1100 Series chimney. The last section of pipe must stop between 2 in. (61 mm) above the top of the chase and 4 3/4 in. (121 mm) below the top of the chase.
2. Remove the top by taking out the four screws that secure it to the corner posts. If the top is not screwed on, proceed to Step 3.
3. Place the inner slip section into the inner section of the uppermost chimney section. Slip the outer slip section over the outer section of the uppermost chimney section. Press the termination assembly down until the flanges contact the chase top.
4. Adjust the termination cap so the slip section does not bind the chimney section. Rotate the cap so it is square with the chase and mark the position using the holes provided in the feet as a guide.
5. Securely attach the cap to the chase using the screws provided in the fastener package.
6. Assemble the top of the termination cap and replace and tighten all the screws.
7. Caulk all screws or nails on the chase top. Periodic re-caulking may be needed to prevent leaks from developing.

Note: The ST1175 is designed for use with the SL1100 Series pipe.

Note: An arrow (➔) found in the text signifies change in content.