

Installation Instructions

5" x 8" DVP Direct Vent Termination Kit

Models: DVP-RVTK, DVM-RVTM, DVP-HVTK, DVP-HSFTK, DVP-TRFK

The information in this instruction manual supersedes the venting information located in the owners manual shipped with your fireplace.

The following termination kits can only be used with Vermont Castings Group Direct Vent fireplaces. Check and verify your fireplace model.

DVP-RVTK Horizontal Kit

1, Termination Cap	1, Firestop, 1" (square)
1, Adjustable Pipe	4, #8 x 1" Screw
4, #8 x 3" Screw	

DVP-RVTM Horizontal Termination Cap

4, Termination Caps	4, Firestop, 1" (square)
16, #8 x 1" Screw	16, #8 x 3" Screw

DVP-HVTK Termination Kit

1, Termination Cap	1, Firestop, 1" (square)
1, Firestop, 3" (rectangular)	
1, Adjustable Pipe	1, 90° Elbow
8, #8 x 1" Screw	8, #8 x 3" Screw

DVP-HSFTK Flex Horizontal Termination Kit

1, Termination Cap	1, Firestop, 1" (square)
1, Flex Adapter Starter (5" inner/8" outer)	
1, Flex Adapter, 5"	1, Flex Adapter, 8"
1, Flex 5" x 48"	1, Flex 8" x 48"
2, Clamp, 5"	2, Clamp, 8"
4, #8 x 1" Screw	24, #10 x 1/2" Self-drilling Screw
4, #8 x 3" Screw	3, Spacer Springs

DVP-TRFK Through the Roof Termination Kit

1, Vertical Termination Cap	
1, Storm Collar	1, Rigid Pipe, 2'
1, Flex Adapter Starter (5" inner/8" outer)	
1, Flex Adapter, 5"	1, Flex Adapter, 8"
1, Roof Support	2, Clamps, 5"
2, Clamps, 8"	6, Wood Screws, 2"
24, #10 x 1/2" Self-tapping Screws	
3, Springs, 8"	1, Spacer

CAUTION

All Vermont Castings Group Direct Vent Fireplaces have been tested and approved to ANSI / CSA Standards and will operate safely when installed in accordance with this instruction manual. Read all instructions before starting installation, then follow these instructions carefully to maximize fireplace performance and safety. Report damaged parts to your dealer.

WARNING

Always maintain minimum clearances around vent systems. Rear/Top Vent Vertical Side wall: Horizontal sections of this vent system require a minimum of 3" (76 mm) clearances to combustibles at the top of the flue and 1" (25 mm) clearance at the sides and bottom until the flue penetrates the outside wall. A minimum 1" clearance all around the flue is acceptable at this point of penetration. If vertical rise is 7½ feet (2.3 m) or higher when top venting, the clearance to combustibles is 1" on all sides of the horizontal run. FOR VERTICAL RUNS ONLY, maintain a 1" (25 mm) minimum clearance to all sides. Do not pack the open air spaces around the fireplace or flue with insulation or other materials. Any horizontal run must have a 1/4" rise for every one (1) foot of run towards the vent termination. Never run the vent level or down.

WARNING

- Any common venting of this gas appliance with other gas appliances is not allowed.
- Do not connect this appliance to a chimney flue servicing a separate solid fuel-burning appliance.

WARNING

Failure to follow these instructions may create a possible fire hazard and will void the warranty.

IMPORTANT SAFETY INFORMATION

- The termination cap MUST be vented directly to the outside. The termination kit MUST NEVER be connected to a chimney flue(s) servicing a separate solid-fuel burning appliance or any other appliances.
- Termination cap MUST NOT be recessed into a wall. Figure 1
- The flexible vent pipe cannot be intermingled with any of the rigid vent pipe sections. DO NOT connect two (2) sections of flexible vent pipe together to achieve a longer length.
- The installation must conform with local codes or in the absence of local codes, with the National Fuel Gas Code, ANSI Z223.1 (in the United States) or with the current installation code CSA B149 (in Canada).
- These models are approved to use Hearth & Home Technologies Direct Vent Pipe Components and Vermont Castings Group termination kits. Refer to the fireplace Homeowner's Manual for approved venting systems or components.
- Horizontal runs must be supported every 3 feet (914 mm) using wall straps. Vertical runs must be supported every 8 feet (2.4 m) using wall straps. Slip wall straps loosely on to pipe. Attach straps to framing members using nails or screws. Tighten nut/bolt to secure pipe.
- The fireplace and venting system should be inspected before initial use and at least annually by a qualified field service person. Inspect the external vent cap on a regular basis to make sure that no debris is interfering with the airflow. Inspect entire venting system to ensure proper function.

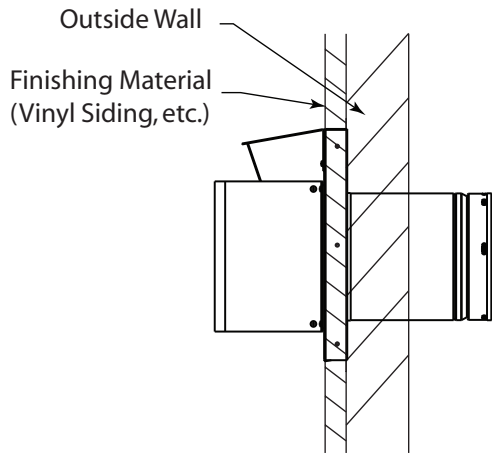


Figure 1 - Termination Cap on Wall

PRE-INSTALLATION INFORMATION

Before You Start

Plan your installation. Set the unit in place and survey how to best vent the unit. Select the appropriate termination kit and vent pipe for the installation. Read these instructions and the fireplace Homeowner's Manual before beginning installation. After vent configuration has been decided, begin attaching pipe to unit.

Items required for installation:

Tools:

- Phillips screwdriver Hammer
- Saw and/or saber saw Level
- Measuring Tape Electric drill and bits
- Pliers Square

Building Supplies:

- Framing materials Wall finishing materials
- Caulking Material (noncombustible)

WARNING

Refer to your fireplace Homeowner's Manual for the minimum and maximum venting requirements of your fireplace and for approved horizontal vent termination locations prior to installation. Failure to do so may cause fire hazard.

WARNING

Any horizontal run must have a 1/4" rise for every one (1) foot of run towards the vent termination. Never allow the vent pipe to run down. This could cause high temperatures and may present a fire hazard.

WARNING

Termination cap must be positioned so the embossed arrow is pointed up.

ATTENTION

For use on VCG fireplaces certified to ANSI Z21.50/CSA 2.22 and ANSI Z21.88/CSA 2.33 standards.

ATTENTION

The vent kits described in this manual are tested as part of a system certified to CSA/ANSI standards to work with DVP vent lengths certified by UL/ULC and SLP termination vent kits approved by CSA.

ASSEMBLE DVP VENT SECTIONS

WARNING

Risk of Fire/Explosion/Asphyxiation! Improper support may allow vent to sag and separate. Use vent run supports and connect vent sections per installation instructions. **DO NOT** allow vent to sag below connection point to appliance.

Attach the First Vent Component to Starter Collar

To attach the first vent component to the starting collar of the appliance:

- Slide the male end of the inner flue over the inner collar of the appliance, at the same time, slide the outer flue over the outer collar of the appliance.
- Push the pipe section into the appliance collar until all the lances have snapped in place.
- Tug slightly on the section to confirm it has completely locked into place.

Note: The end of the pipe sections with the lances/tabs on it will face toward the appliance.

Commercial or High-Rise Applications

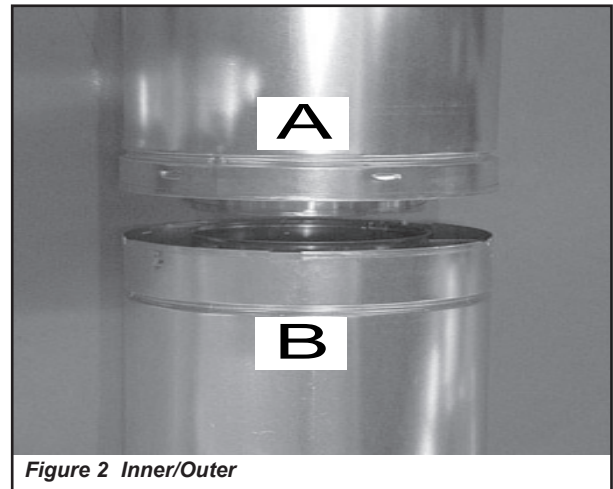
For installation into a commercial or high-rise application: All outer pipe joints must be sealed with high temperature aluminum foil tape, including the slip section that connects directly to the horizontal termination cap.

- Only outer pipes are to be sealed. Do not seal the inner flue. All unit collar, pipe, slip section, elbow and cap outer flues shall be sealed in this manner, unless otherwise stated.

Assemble Pipe Sections

Insert the inner flue of section A into the flared inner flue of section B. (See figure 2).

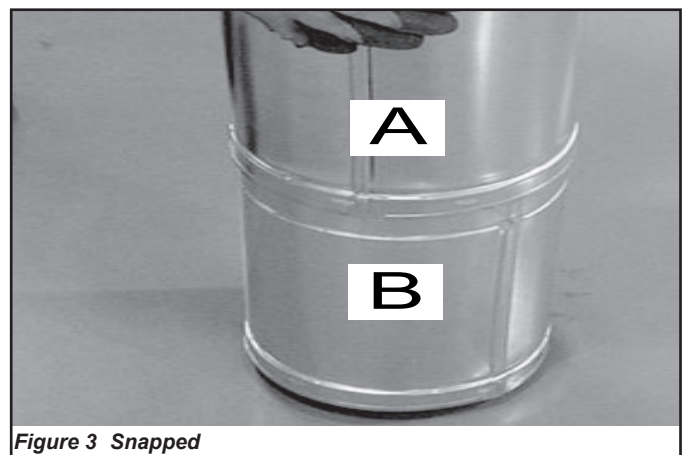
Start the outer flue of section A over the outer flue of section B.



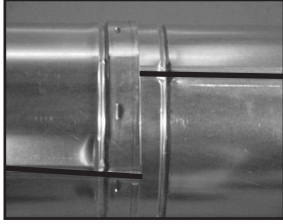
Once both inner and outer flues are started, press section A onto section B firmly until all lances have snapped into place. Check to make sure they have snapped together (see Figure 3) and the seams are not aligned (see Figure 4). Tug slightly on section A to confirm it has completely locked into place.

It is acceptable to use screws no longer than 1 in. to hold outer pipes together. If predrilling screw holes do NOT penetrate inner pipe.

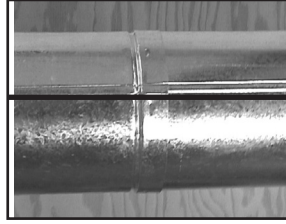
For 90° and 45° elbows that are changing the vent direction from horizontal to vertical, one screw minimum should be put in the outer flue at the horizontal elbow joint to prevent the elbow from rotating. Use screws no longer than 1 in. If predrilling screw holes do NOT penetrate inner pipe.



Make sure the seams are not aligned to prevent unintentional disconnection.



CORRECT



INCORRECT

Figure 4 Snapped

WARNING

Risk of Fire/Explosion! **DO NOT** break seals on slip sections. Use care when removing termination cap from slip pipe. If slip section seals are broken during removal of the termination cap, vent may leak.

WARNING

Fire Risk

Exhaust Fumes Risk

- Overlap pipe slip sections at least 1-1/2 inches.
- Use pilot holes for screws.
- Screws must not exceed 1 in. long.
- Pipe may separate if not properly joined.

Assemble Slip Sections

The outer flue of the slip section should slide over the outer flue of the pipe section and into (inner flue) the last pipe section (see Figure 5) .

Slide together to the desired length, making sure that a 1-1/2 in. outer flue overlap is maintained between the pipe section and slip section.

The pipe and slip section need to be secured by driving two screws through the overlapping portions of the outer flues using the pilot holes (see Figure 6).

This will secure the slip section to the desired length and prevent it from separating. The slip section can then be attached to the next pipe section.

If the slip section is too long, the inner and outer flues of the slip section can be cut to the desired length.

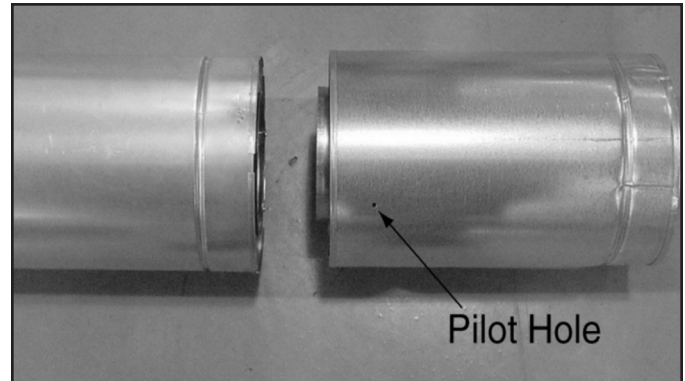


Figure 5 Slip Section Pilot Holes

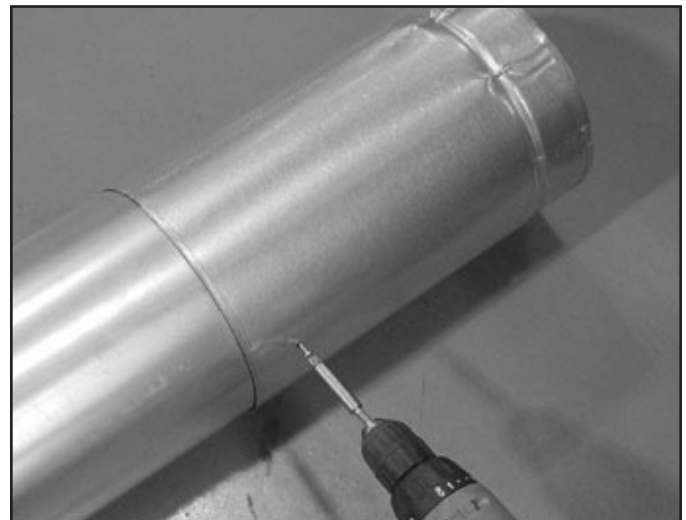


Figure 6 Screws into Slip Section

Secure the Vent Sections

Vertical sections of pipe must be supported every 8 ft. after the 25 ft. maximum unsupported rise. The vent support or plumber's strap (spaced 120° apart) may be used to do this (see Figure 7).

Horizontal sections of vent must be supported every 5 ft with a vent support or plumber's strap. (See Figure 8)

WARNING

Risk of Fire/Explosion/Asphyxiation! Improper support may allow vent to sag and separate. Use vent run supports and connect vent sections per installation instructions. DO NOT allow vent to sag below connection point to appliance.

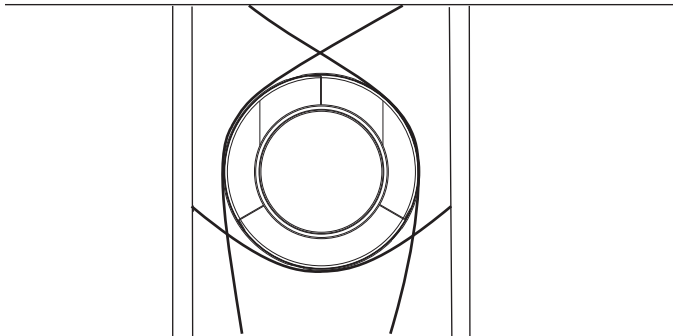


Figure 7 Securing Vertical Pipe Sections

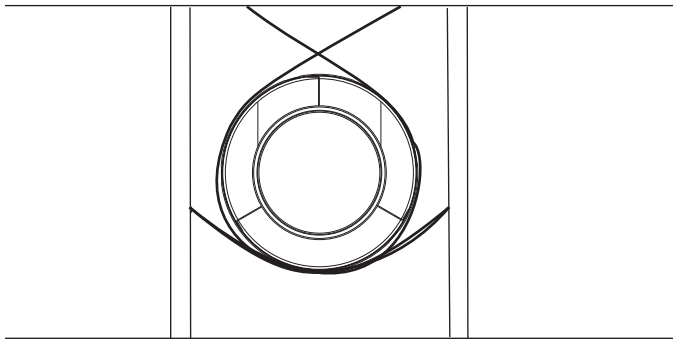


Figure 8 Securing Horizontal Pipe Sections

DISASSEMBLE VENT SECTIONS

To disassemble any two pieces of pipe, rotate either section (Figure 9), so that the seams on both pipe sections are aligned (Figure 10). They can then be carefully pulled apart.

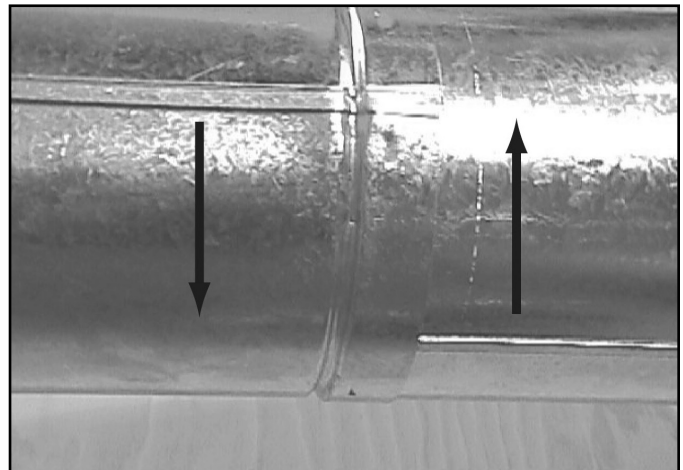


Figure 9 Rotate Seams for Disassembly

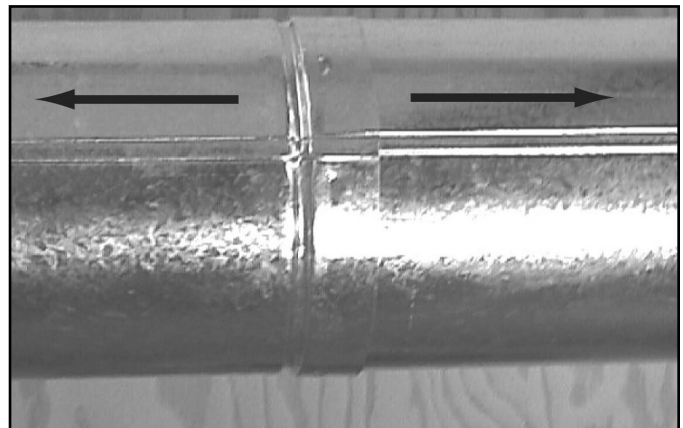


Figure 10 Align and Disassemble Vent Sections

INSTALL HORIZONTAL TERMINATION CAP

WARNING

Risk of Fire! The telescoping flue section of the termination cap MUST be used when connecting vent.

- 1½" (38 mm) minimum overlap of vent and telescoping flue section is required.

Failure to maintain overlap may cause overheating and fire.

Note: For horizontal vent runs through a combustible wall and framing dimensions, refer to appliance installation manual.

5" x 8" DVP Termination Kit

Attach slip section of cap to last vent section. Maintain 1-1/2 in. overlap between slip and vent sections.

Secure termination cap to exterior wall using provided holes and fasteners.

Vent termination must not be recessed in the wall. Siding may be brought to the edge of the cap base.

Flash and seal as appropriate for siding material at outside edges of cap.

When installing a horizontal termination cap, follow the cap location guidelines as prescribed by current ANSI Z223.1 and CAN/CGA-B149 installation codes.

Divert Roof Run-off

VCG/HHT recommends, where excessive water run-off is possible, use of one of the two options shown below to prevent water running off the roof and onto/into the horizontal termination cap.

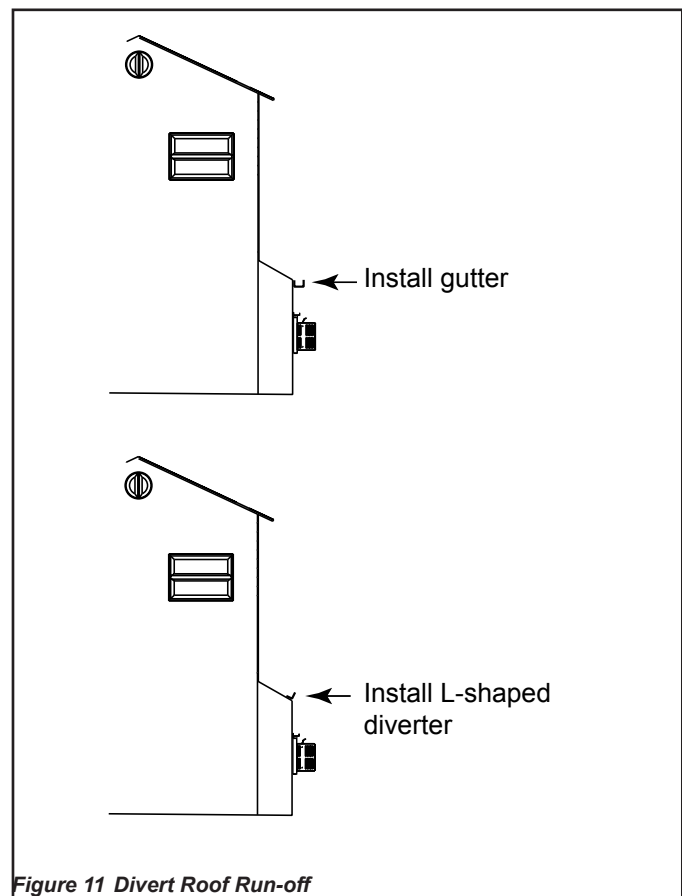


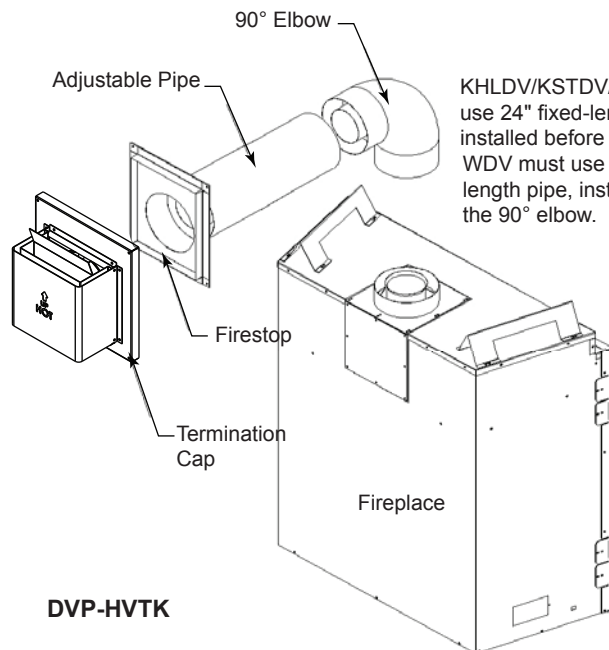
Figure 11 Divert Roof Run-off

DVP-RVTK, DVP-RVTM, DVP-HVTK HORIZONTAL TERMINATION KIT

Installation Instructions

Figure 12

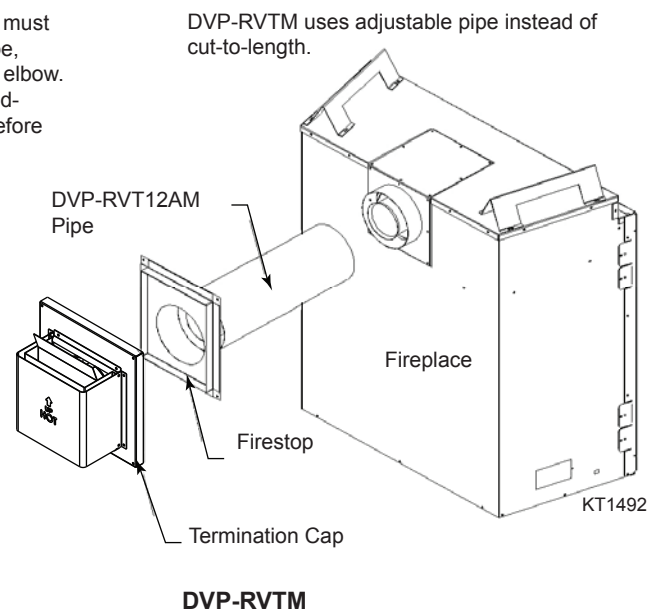
1. **KHLDV, KSTDV & VWDV FIREPLACES REQUIRED:**
Attach 24" (610 mm) fixed-length pipe to the starting collar on the unit.
WDV REQUIRED: Attach 12" (305 mm) fixed-length pipe to the starting collar on the unit.
2. a. **DVP-HVTK ONLY:** Attach the 90° elbow to the pipe connector (or 24" pipe). See page 3 for directions on how pipe and elbows are connected.
b. **DVP-RVTK & DVP-RVTM ONLY:** Determine final location of termination cap.



DVP-HVTK

Figure 12 Installation of Horizontal Termination Kit

4. A wall square firestop **MUST BE** installed if the vent passes through a ceiling or exterior combustible wall. Cut a 10" wide x 10" high (254 x 254 mm) opening through the wall or framing. A wall rectangular firestop **MUST BE** installed if the vent passes through interior walls. In that case, cut a 10" wide x 12" high (254 x 305 mm) opening through the wall or framing. The framing members may need to be reinforced. Position the firestop on the hole previously cut and secure with screws or nails (not provided). Run vent pipe through firestop. The gap between the vent pipe and the firestop may be sealed.
5. Attach slip section of cap to last vent section. Maintain 1½ in. overlap between slip and vent sections. Make sure the termination cap is installed with embossed arrow pointing up.



DVP-RVTM

3. a. **DVP-RVTK, DVP-RVTM, DVP-HVTK:** Attach the adjustable pipe to the pipe connector (or elbow). See page 3 for directions on how pipe and elbows are connected.
b. **DVP-RVTM, DVP-HVTK:** During shipping, the DVP6A is slid over the DVP6 to make an adjustable pipe. In some installations, you may want to use only the DVP6 (for instances in which the adjustable pipe is too long for installation.) Otherwise, adjust pipe to desired length.

6. If the house has vinyl siding, mark and cut the vinyl siding around the pipe so the termination cap can be mounted flush to the wall. Finish the siding edges with trim or "J channel" and caulking to prevent water from leaking into the building. *Figure 13*
7. Attach the termination cap to the exterior wall using the four (4) screws provided.

NOTE: You may use the DVP-RVTK OR DVP-RVTM for corner installations. You may also use the DVP45M off the rear of the unit with a 45° elbow (p/n 1245) and proper length of pipe(s). Refer to appropriate venting charts in appliance installation manual.

5" x 8" DVP Termination Kit

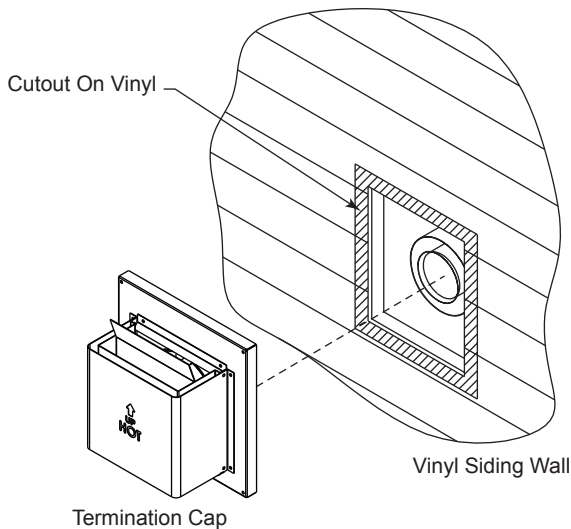


Figure 13 Horizontal Termination Cap on a Vinyl Siding Wall

DVP-HSFTK - HORIZONTAL TERMINATION KIT

Figure 14

Installation Instructions

1. Set the unit in place and survey how best to vent the unit.
2. A wall square firestop **MUST BE** installed if the vent passes through a ceiling or exterior wall. Cut a 10" wide x 10" high (254 x 254 mm) opening through the exterior wall or framing. A wall rectangular firestop

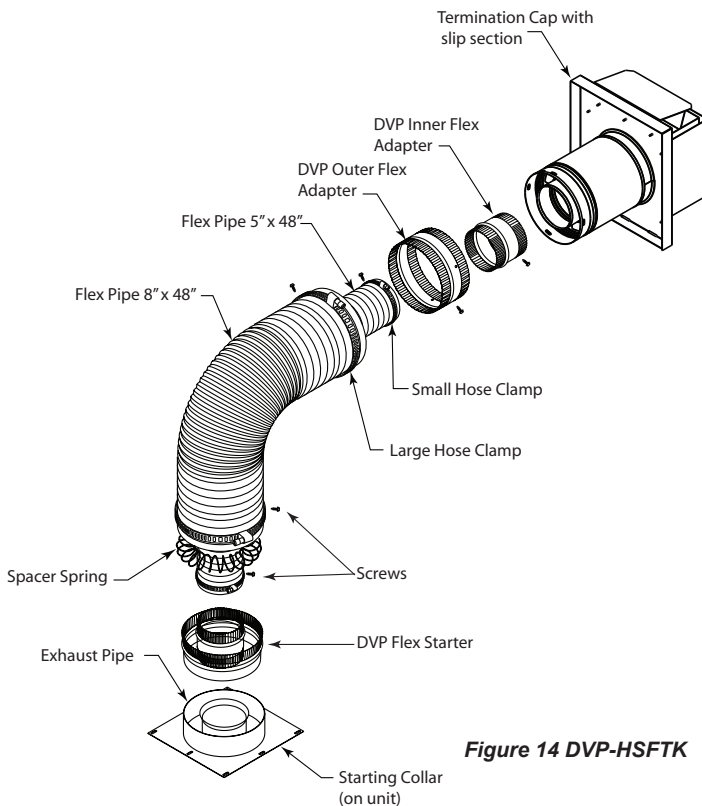


Figure 14 DVP-HSFTK

WARNING

Refer to your fireplace Homeowner's Manual for the minimum and maximum venting requirements of your fireplace and for approved horizontal vent termination locations prior to installation. Failure to do so may cause fire hazard.

WARNING

Any horizontal run must have a 1/4" rise for every one (1) foot of run towards the vent termination. Never allow the vent pipe to run down. This could cause high temperatures and may present a fire hazard.

WARNING

Termination cap must be positioned so the embossed arrow is pointed up.

WARNING

This flexible pipe termination kit is **ONLY** for horizontal terminations with one (1) 90° bend.

(not provided) **MUST BE** installed if the vent passes through interior walls. In that case, cut a 10" wide x 12" high (254 x 305 mm) opening through the wall or framing. The framing members may need to be reinforced. Position the firestop on the hole previously cut and secure with screws or nails (not provided). Run vent pipe through firestop. The gap between the vent pipe and firestop may be sealed.

3. If the house has vinyl siding, after the termination cap location has been decided, mark and cut the vinyl siding around the termination cap so that the cap can be mounted flush to the wall.
4. Attach the DVP flex starter onto the starting collar on the unit. Slide the male end of the inner flue over the inner collar of the appliance, at the same time, slide the outer flue over the outer collar of the appliance. Push the flex starter section into the appliance collar until all the lances have snapped in place. Tug slightly on the section to confirm it has completely locked into place. Install three (3) self tapping #10 screws through the DVP flex starter into the starting collar of the appliance.
5. Slide one end of the 5" flex pipe over the inner pipe of the DVP flex starter that is attached to the unit. Secure the flex pipe to the inner of the DVP flex starter with one (1) small band clamp and three (3) self tapping #10 screws.

6. Slide the 8" flex pipe over the outer pipe of the DVP flex starter that is attached to the unit. Secure the flex pipe to the outer of the DVP flex starter with one (1) large band clamp and three (3) self tapping #10 screws.
7. Remove the slip section from the termination cap.
8. Attach the DVP inner flex adapter to the inner pipe of the slip section for the termination cap using three (3) self tapping #10 screws.
9. Attach the DVP outer flex adapter to the outer pipe of the slip section for the termination cap using three (3) self tapping #10 screws.
10. Extend 5" inside flex pipe to reach the inner flex adapter on the slip section of the termination cap and install spacer springs. Spacer springs should be equally spaced to prevent the inside and outside flex pipe from touching each other and should be placed in locations where the vent must bend.
11. Extend 8" outside flex pipe to reach the outer flex adapter on the slip section of the termination cap.
12. Slide 5" inner flex pipe over the inner flex adapter on the slip section and secure it with one (1) small band clamp and three (3) self tapping #10 screws.
13. Slide 8" outer flex pipe over the outer flex adapter on the slip section and secure it with one (1) large band clamp and three (3) self tapping #10 screws.
14. Carefully form the flexible duct so the end attached to the slip section aligns with the 8.25" diameter opening in the DVP-FS 1" firestop.

CAUTION

DO NOT crush, distort, or otherwise modify the dimension of the flexible vent. Damage could cause appliance to overheat or have performance issues.

15. Install the termination cap to the exterior wall with four (4) #8 x 3" screws provided. In some installations the flexible vent may need to pass through the DVP-FS wall shield firestop. The flexible vent outside diameter exceeds the diameter of the hole in the DVP-FS. The diameter of the inner hole of the DVP-FS will need to be increased from 8¼" to 8⅝". This modification can be made by trimming 3/16" evenly around the circumference of the inner hole in the DVP-FS. This modification is not required in installations where the DVP slip section projects through the DVP-FS.
16. Install the slip section on the end of the flex onto the collars on the termination cap. Ensure that the two overlap at least 1½". See page 6.
17. When using aluminum or vinyl siding, finish the edges of the siding around the termination cap with "J channel" and caulking to prevent water from leaking into the building.

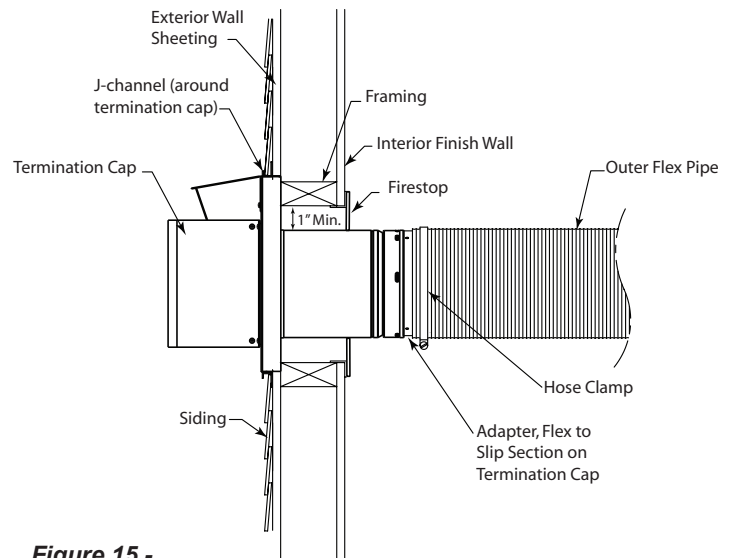


Figure 15 -
DVP-HSFTK Side View

WARNING

Termination cap must be positioned so the embossed arrow is pointed up.

DVP-RVTM HORIZONTAL TERMINATION KIT Installation Instructions

1. A wall square firestop **MUST BE** installed if the vent passes through a ceiling or exterior wall. Cut a 10" wide x 10" high (254 x 254 mm) opening through the exterior wall or framing. A wall rectangular firestop (not provided) **MUST BE** installed if the vent passes through interior walls. In that case, cut a 10" wide x 12" high (254 x 305 mm) opening through the wall or framing. The framing members may need to be reinforced. Position the firestop on the hole previously cut and secure with screws or nails (not provided). Run vent pipe through firestop. The gap between the vent pipe and firestop may be sealed.
2. Attach slip section of cap to last vent section. Maintain 1½ in. overlap between slip and vent sections. Make sure the termination cap is installed with the embossed arrow pointing up.
3. If the house has vinyl siding, mark and cut the vinyl siding around the pipe so the termination cap can be mounted flush to the wall. Finish the edges of the siding with trim or "J channel" and caulking to prevent water from leaking into the building. *Figure 3*
4. Attach the termination cap to the exterior wall using four (4) screws provided.

VERTICAL THROUGH-ROOF FLEX VENTING

1. Flexible UL1777 listed venting may be used in any venting application where rigid direct vent components can be used. **All restrictions, clearances and allowances that pertain to the rigid piping apply to the flexible venting.** Flex kits may not be modified. Flex kits may be added to the end of a vent run made of rigid vent sections using pipe manufacturer's approved flex to pipe adapters. This may occur only if doing so does not violate any of the venting length, height, routing, horizontal to vertical ratio requirements or clearance considerations detailed in this manual.
2. The flex adapter starter is used to attach flex venting to the appliance starting collar. It includes a 5" inner and 8" outer unitized flex adapter starter. *Figure 1*
 - The flex adapter starter is required to start all flex runs.
 - Never install damaged or torn flexible venting.
 - Over tightening clamps may rip, tear, or otherwise damage flexible venting.
 - The adaptor kit does not include individual flex pipe sections which may be purchased separately. (UL1777 listed type venting only.)

3. Start the flexible vent as follows—

A. Installing the inner flex adaptor and pipe. *Figure 16*

1. Attach the DVP flex starter onto the starting collar on the unit. Slide the male end of the inner flue over the inner collar of the appliance, at the same time, slide the outer flue over the outer collar of the appliance. Push the flex starter section into the appliance collar until all the lances have snapped in place. Tug slightly on the section to confirm it has completely locked into place. Install three (3) self tapping #10 screws through the DVP flex starter into the starting collar of the appliance.
2. Slide the small gear clamp over the inner flexible vent pipe, and push out of the way.
3. Pull and extend the inner flexible vent.
4. Slide the inner vent onto the adapter collar, for a minimum 2" overlap.
5. Locate the clamp at approximately 3/4" from the flex end and tighten.

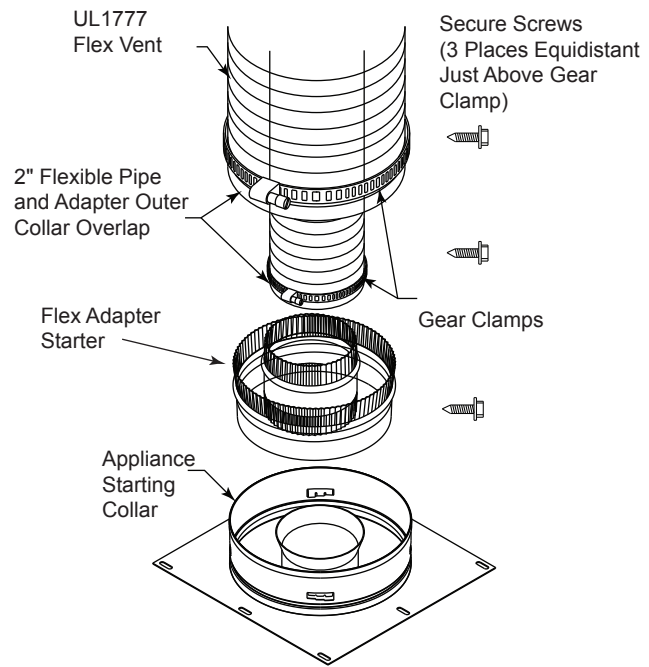


Figure 16 Typical Appliance Connection

6. Secure the clamped inner section with three self tapping screws, drilled equidistant, just above the clamp perimeter.
- B. Installing the outer flex pipe. *Figure 16*
1. Slide the large gear clamp over the outer flexible vent pipe, and push out of the way.
 2. Pull and extend the outer flexible vent.
 3. Slide the outer vent onto the appliance collar outer adapter for a minimum 2" overlap.
 4. Locate the clamp at approximately 3/4" from the flex end and tighten.
 5. Secure the clamped outer section with three self tapping screws, drilled equidistant, just above the clamp perimeter.
- C. Routing UL1777 flex pipe.
1. Always maintain the required clearance when routing the flex vent assembly.
 2. Install firestop spacers, *Figure 18*, when penetrating ceilings, attic spaces, or walls.
 3. Do not allow the flexible vent to bend in radius tighter than 5" (127 mm). *Figure 17*
 4. Horizontal runs of flexible vent shall be supported at maximum 2 foot intervals; vertical runs, five feet intervals. Metal strapping, properly secured, is an acceptable means to support the flexible vent.
 5. Flexible vent spacers are to be installed at intervals prescribed by the flexible vent manufacture; and in such a way as to maintain concentric inner and outer vent spacing.

NOTE: Flex vent pipe spacers: Refer to manufacturer's specifications for correct positioning of the spacer springs to maintain proper distance between inside and outside pipe.

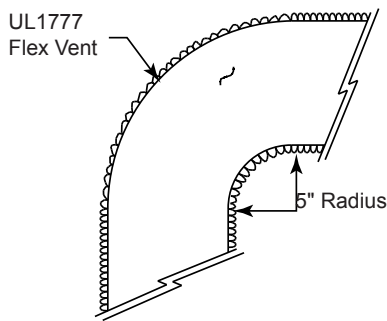
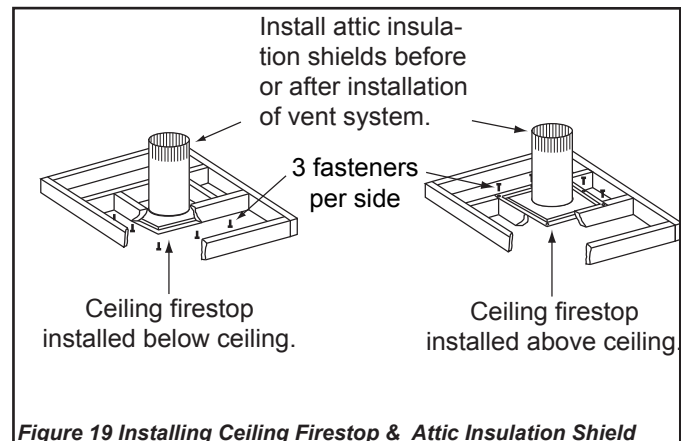
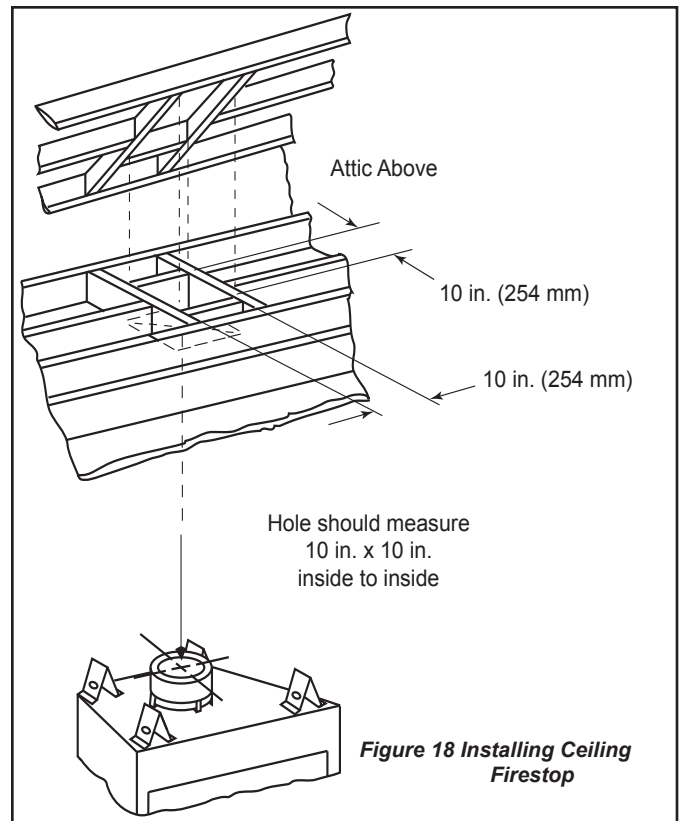


Figure 17 Minimum Radius for Flex Vent Section

Install the Ceiling Firestop

- Frame an opening 10 in. x 10 in. (254 mm x 254 mm) whenever the vent system penetrates a ceiling/floor (see Figure 18)
- Frame the area with the same sized lumber as used in ceiling/floor joist.
- When installing a top vent vertical termination appliance the hole should be directly above the appliance, unless the flue is offset.
- The ceiling firestop may be installed above or below the ceiling. Refer to Figure 19.
- Secure with three fasteners on each side.
- Do not pack insulation around the pipe. Insulation must be kept away from the pipe.
- The gap between the vent pipe and firestop may be sealed.



Install Attic Insulation Shield

WARNING

FIRE RISK. DO NOT allow loose materials or insulation to touch vent. VCG/HHT REQUIRES the use of an attic shield.

The National Fuel Gas Code ANSI Z223.1 requires an attic shield constructed of 26 gauge minimum metal that extends at least 2 in. (51 mm) above insulation.

Attic shields must meet specified clearance and be secured in place.

5" x 8" DVP Termination Kit

Flat Ceiling Installation

- Remove one shield from box.
Note: Cut previously installed batt insulation to make room for the attic insulation shield.
- Wrap shield around pipe if pipe is already installed in area to be insulated.
- Match the three holes in each side and fasten with three screws to form a tube.
- One or more tabs may be folded outward on the bottom of the shield to allow attachment to ceiling firestop.
- Bend remaining tabs inward on bottom of shield where it rests on the ceiling firestop to maintain the air space between the pipe and shield. Set the shield on the ceiling firestop.
- Bend all tabs inward 90° around the top of the shield. These tabs must be used to prevent blow-in insulation from getting between the shield and vent pipe, and to maintain clearance.

Vaulted Ceiling Installation

- Remove one shield from box.

Note: Cut previously installed batt insulation to make room for the attic insulation shield.

- Cut the attic insulation shield (if application is for vaulted ceiling) using a laser-etched cut line, to fit your ceiling pitch. Snip cut edge to create three bend tabs.
- Wrap shield around pipe if pipe is already installed in area to be insulated.
- Match the three holes in each side and fasten with three screws to form a tube.
- One or more tabs may be folded outward on the bottom of the shield to allow attachment to ceiling firestop.
- Bend remaining tabs inward on bottom of shield where it rests on the ceiling firestop to maintain the air space between the pipe and shield. Set the shield on the ceiling firestop.
- Bend all tabs inward 90° around the top of the shield. These tabs must be used to prevent blow-in insulation from getting between the shield and vent pipe, and to maintain clearance.

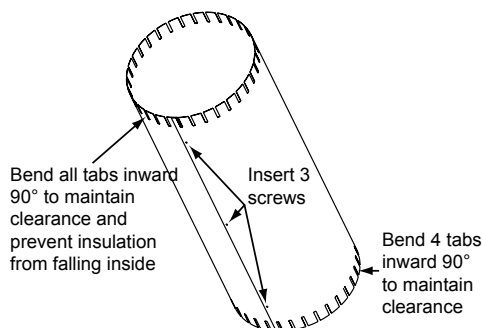


Figure 20 Attic Insulation Shield

Roof Support

- Fasten the roof support to the roof sheathing using 2" wood screws provided. *Figure 21.* Ensure that the termination pipe is centered and has a minimum of 1" clearance on all sides from combustible materials. *Figure 22*
- Slip the rigid pipe section into the roof support to the required height and tighten the two clamping bolts to secure pipe. Also, level pipe vertically (plumb) and secure by tightening the leveling bolts. (Refer to fireplace instructions for chimney minimum heights and clearances.)

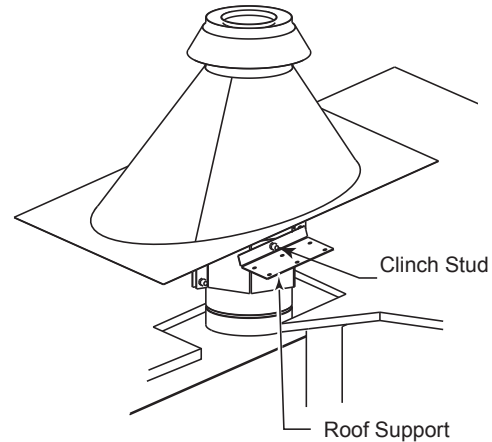


Figure 21 Roof Support

NOTE: The roof support must be installed as shown. Weld stud location to top for ease of installation.

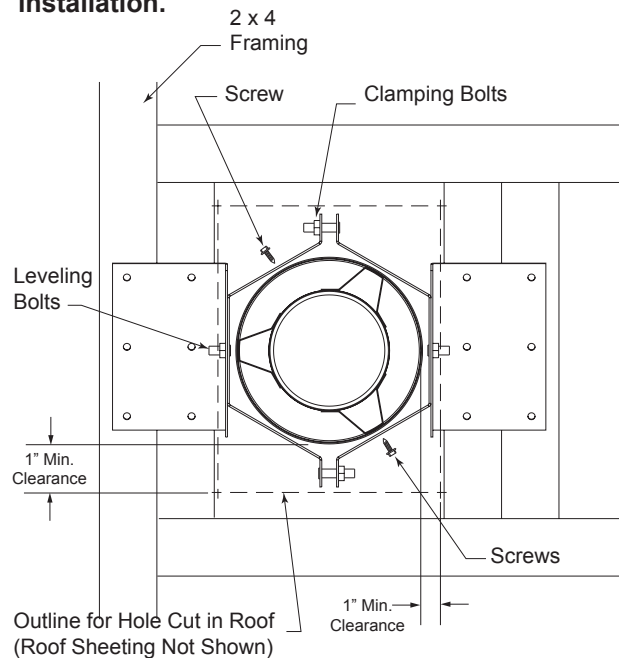


Figure 22 Typical Roof Support (top view)

Install Roof Flashing

To install roof flashing see Figures 24 and 25.

For installation of vertical termination cap see minimum vent heights for various pitched roofs (see Figure 23) .

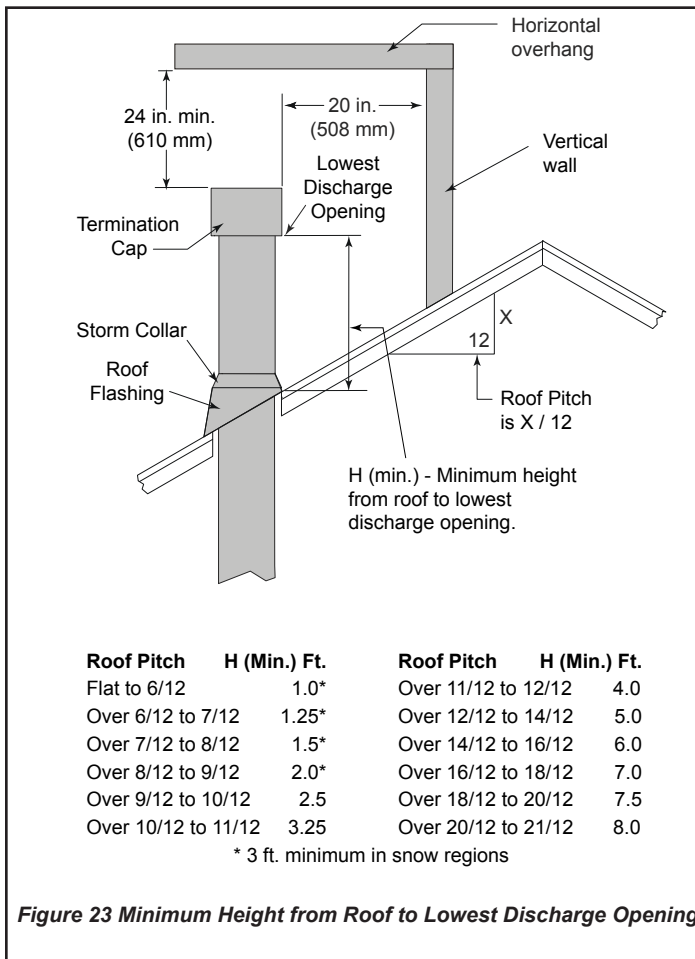


Figure 23 Minimum Height from Roof to Lowest Discharge Opening

Caulk the gap between the roof flashing and the outside diameter of the pipe. Caulk the perimeter of the flashing where it contacts the roof surface.

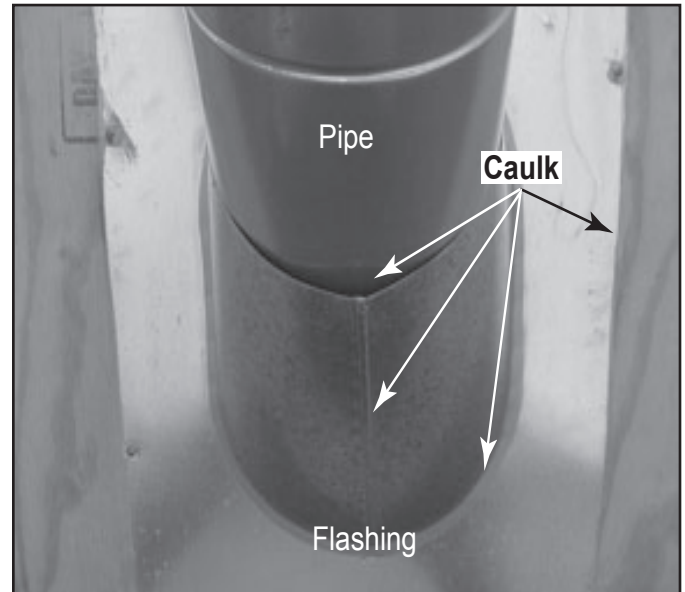


Figure 24 Caulk the Gap

Assemble and Install Storm Collar

- Slide the storm collar onto the exposed pipe section and align brackets.
- Insert a bolt (provided) through the brackets and install nut (do not completely tighten).



Figure 25 Insert Bolt into Brackets

- Slide the assembled storm collar down the pipe section until it rests on the roof flashing.
- Tighten nut and make sure the collar is tight against the pipe section.
- Caulk around the top of the storm collar.

5" x 8" DVP Termination Kit

Install Vertical Termination Cap

To attach the vertical termination cap, slide the inner collar of the cap into the inner flue of the vent section and place the outer collar of the cap over the outer flue of the vent section.

Secure the cap by driving the three self-tapping screws (supplied) through the pilot holes or dimples in the outer collar of the cap into the outer flue of the vent. See Figure 26.



Figure 26 Secure with Screws

Attaching Flexible Venting to Vertical Termination Kit

1. Attach the inner flex adapter to the inner pipe of the rigid pipe length using three (3) self tapping #10 screws.
2. Attach the outer flex adapter to the outer pipe of the rigid pipe length using three (3) self tapping #10 screws.
3. Attach the 5" and 8" flex pipe to the flex pipe adapter in the same manner as the starting adapter. See Figure 28.

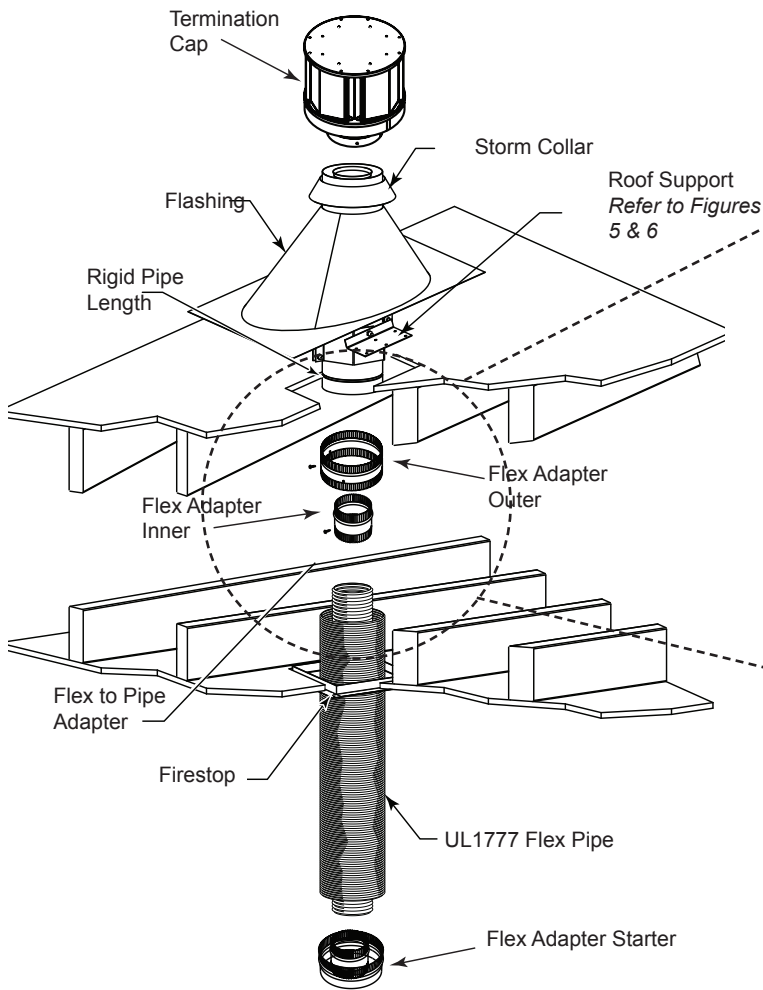


Figure 27 Typical Vertical Flex Vent Installation

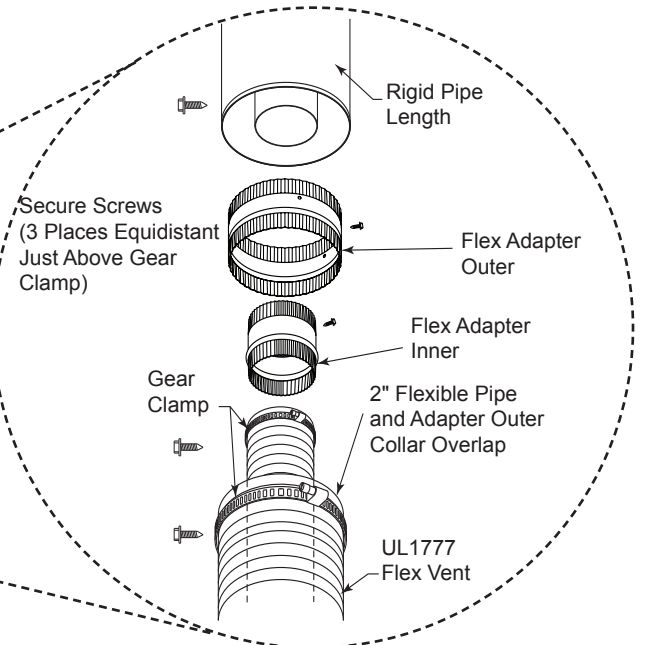


Figure 28 Typical Vertical Termination Connection



149 Cleveland Drive • Paris, Kentucky 40361
www.vermontcastingsgroup.com