



HEARTH & HOME
technologies™

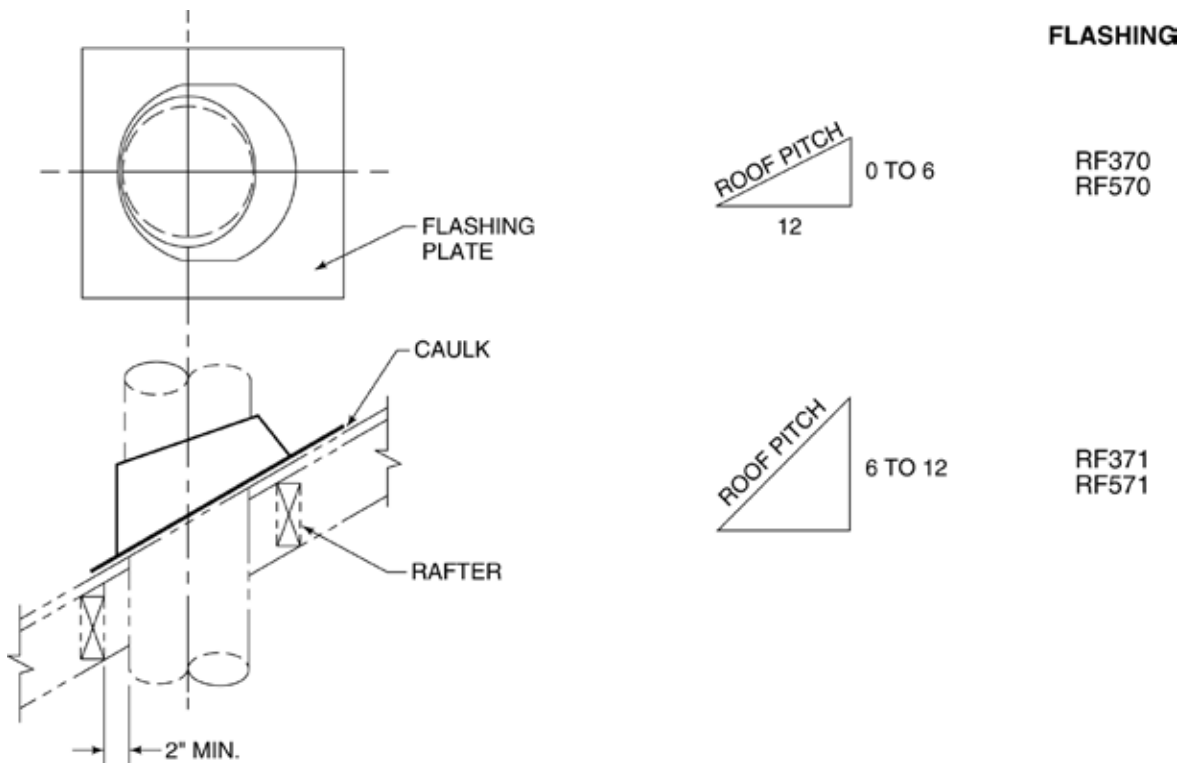
7571 215th Street West
Lakeville, MN 55044
www.fireplaces.com



INSTALLATION INSTRUCTIONS

RF370, RF371, RF570, RF571 - ROOF FLASHING

These roof flashings have been tested for use with specific Hearth & Home Technologies Inc. fireplaces and are listed as fireplace parts. Refer to the installation instructions supplied with the fireplace for the correct accessories to be used. Check with your local building code agency before you begin your installation to ensure compliance with local codes, including the need for permits and follow-up inspections. If you encounter problems regarding code approvals, or if you wish clarification of any of the instructions contained here, contact your local distributor/dealer.



WARNING!

Clear air space between the chimney and the enclosure must be 2 inches minimum. Lesser distance may increase the hazard of fire.

CAUTION:
Edges are sharp! Hand protection is recommended.

Step by Step Installation

1. The framed horizontal opening must be 14-1/2" x 14-1/2" minimum for the RF370 and the RF371, 17" x 17" for the RF570 and the RF571.
2. Assemble the chimney so it passes through the framed opening.

Note: This distance will be greater when measured along a sloped roof.

3. Slip the flashing over the chimney.
4. Nail the flashing to the roof. Keep gaps between the flashing plate and the roof to a minimum.
5. Caulk the flashing plate and roof junction as well as the vertical seam on the flashing. All nail heads must be caulked with a roofing sealant.

Note: Roofing shingles must be below the flashing plate on the lower side of a sloped roof and over the flashing plate on the sides and top.