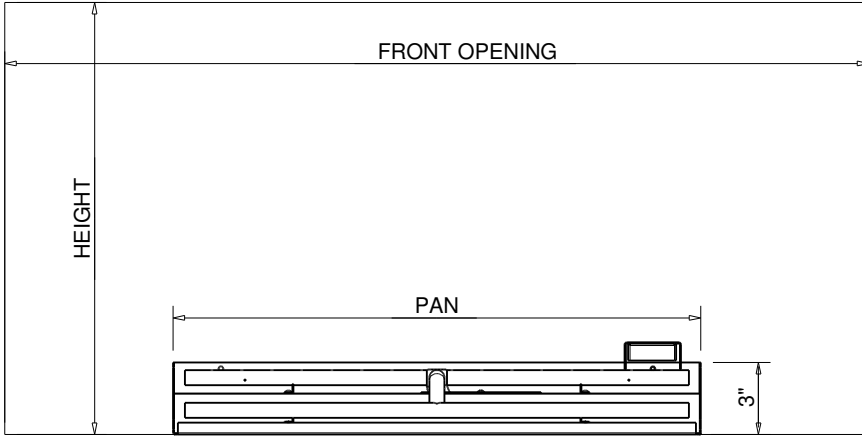
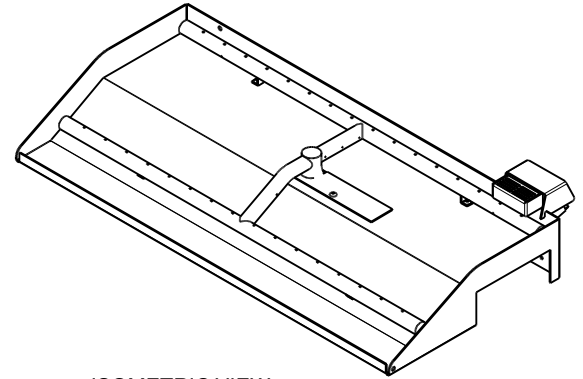




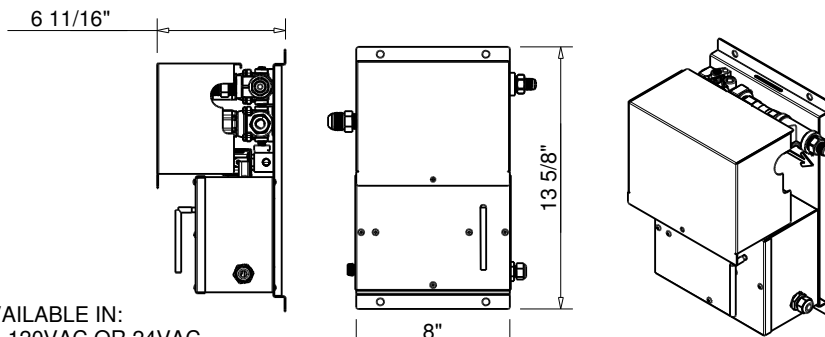
Hearth Products Controls Co
CSA CERTIFIED-OUTDOOR USE ONLY
FOR COMMERCIAL AND RESIDENTIAL USE



FRONT ELEVATION

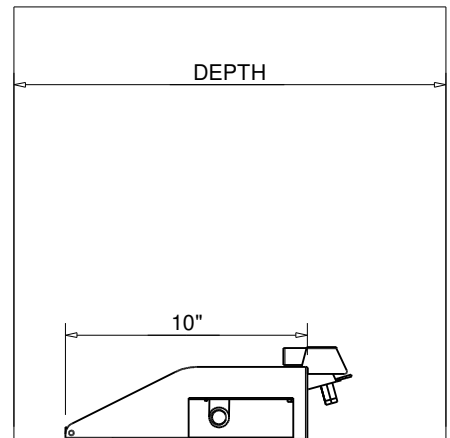


ISOMETRIC VIEW



EI CONTROL PANEL

AVAILABLE IN:
 • 120VAC OR 24VAC
 • ON/OFF OR HI/LOW
 MATERIAL: 304 STAINLESS STEEL



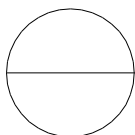
SIDE ELEVATION

PART NUMBERS	STND BTU	DIMENSION CHART		MINIMUM FIREPLACE OPENING		
		PAN	BURNER	HEIGHT	FRONT OPENING	DEPTH
DBOF22EI	90K	22"	21"	18"	36"	18"
DBOF28EI	110K	28"	27"	18"	42"	18"

Notes:

- FOR USE WITH FIXED PIPING SYSTEMS ONLY.
- NOT FOR USE WITH SMALL TANKS.
- MODIFICATION OF PRODUCT WILL VOID ANY CERTIFICATION AND WARRANTY.
- FOLLOW ALL MANUFACTURER INSTALLATION INSTRUCTIONS AND LOCAL CODES.
- ALL DIMENSIONS ARE CONSIDERED TRUE AND REFLECT MANUFACTURER'S SPECIFICATIONS AS OF THE REVISION DATE.
- DO NOT SCALE DRAWING.
- THESE DRAWINGS ARE FOR SIZING AND PLANNING PURPOSES. ALL INFORMATION CONTAINED HEREIN WAS CURRENT AT THE TIME OF DEVELOPMENT. THE MANUFACTURER'S RESPONSIBLE FOR THE ACCURACY OF THE DRAWING.
- CONTRACTOR'S NOTE: FOR PRODUCT AND COMANY INFORMATION VISIT www.CADdetails.com/info REFERENCE NUMBER 771-068.

⚠ WARNING	NG	LP
	ALTITUDE (FT)	0-4,500
MINIMUM INLET GAS SUPPLY PRESSURE	4.5" InWc (11.2mb)	11" InWc (27.4mb)
MAXIMUM INLET GAS SUPPLY PRESSURE	7" InWc (17.4mb)	13" InWc (32.4mb)
MANIFOLD PRESSURE (UNDER FLOW CONDITIONS)	3.5" InWc (8.4mb)	10" InWc (25mb)



HOT SURFACE IGNITION OUTDOOR FIREPLACE INSERT
EI DUAL BURNER - FLAME SENSING WITH ELECTRONIC HOT SURFUCE IGNITION