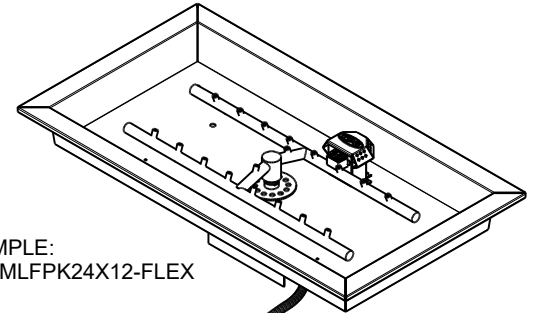
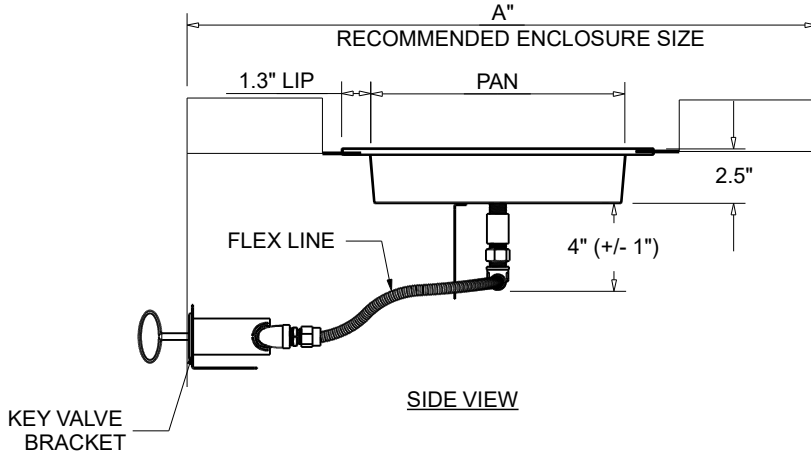




**FIRE INSPIRED<sup>®</sup>**  
**CSA CERTIFIED-OUTDOOR USE ONLY**  
**FOR COMMERCIAL AND RESIDENTIAL USE**

HEARTH PRODUCTS CONTROLS  
 2225 LYONS RD.  
 MIAMISBURG, OH 45342  
 TOLL FREE: 877.585.9800  
 PHONE: 937.436.9800  
 www.hpcfire.com



EXAMPLE:  
 TOR-MLFPK24X12-FLEX

BRACKET DETAIL

ISOMETRIC VIEW

MATERIAL: 304 STAINLESS STEEL

PART NUMBER	PAN	DIMENSION CHART				STND FLEX LINE LENGTH
		STANDARD BTU		A"		
		PENTA	TORPEDO			
TOR- MLFPK24X12-FLEX	24"X12"	65K	65K	56"X28"	36"	
TOR- MLFPK30X12-FLEX	30"X12"	65K	65K	56"X28"	36"	
TOR- MLFPK36X14-FLEX	36"X14"	65K	65K	64"X32"	36"	

\*FOR TORPEDO BURNERS ADD TOR-

NOTES:

1. PROPER VENTING

- ENCLOSURES:
  - For Fire Pit Inserts upto 65K BTU: Required 2 vents, 18 sq.in. each on opposing sides.
- BOWLS (Copper, concrete or metal) - Bowl to be raised above mounting surface minimum of 3/4" gap; Bowl to have a minimum of 6" diameter hole in bottom

2. GAS SUPPLY

- Natural Gas: Supply Pressure: Minimum: 3.5" W.C.; Maximum: 7.0" W.C.
- LP Gas: Supply Pressure: Minimum: 8.0" W.C.; Maximum 11.0" W.C.

IMPORTANT: Ensure any flex line that may be used from the permanent main fuel supply to the product is rated to the stated max btu of the product and certified to ANSI Z21.75\*CSA 6.27.

3. MODIFICATION OF PRODUCT WILL VOID ANY CERTIFICATION AND WARRANTY.

4. FOLLOW ALL MANUFACTURER INSTALLATION INSTRUCTIONS AND LOCAL CODES.

5. ALL DIMENSIONS ARE CONSIDERED TRUE AND REFLECT MANUFACTURER'S SPECIFICATIONS AS OF THE REVISION DATE.

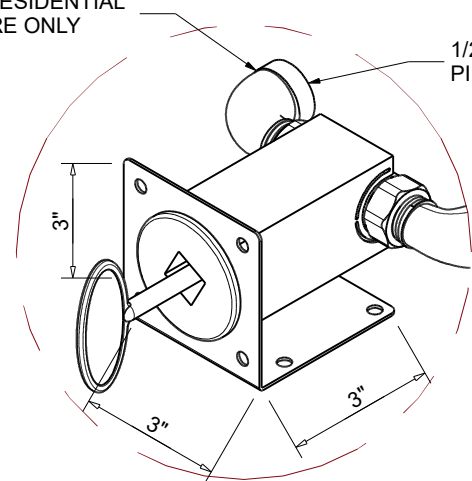
6. DO NOT SCALE DRAWING.

7. THESE DRAWINGS ARE FOR SIZING AND PLANNING PURPOSES. ALL INFORMATION CONTAINED HEREIN WAS CURRENT AT THE TIME OF DEVELOPMENT. THE MANUFACTURER'S RESPONSIBLE FOR THE ACCURACY OF THE DRAWING.

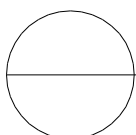
8. CONTRACTOR'S NOTE: FOR PRODUCT AND COMPANY INFORMATION VISIT [www.CADdetails.com/info](http://www.CADdetails.com/info) REFERENCE NUMBER 771-007

GAS IN: RESIDENTIAL  
 PRESSURE ONLY

1/2" FEMALE  
 PIPE THREAD



BRACKET DETAIL



MATCH LIT FIRE PIT INSERT - WITH FLEX LINE

RECTANGLE PAN - MLFPK