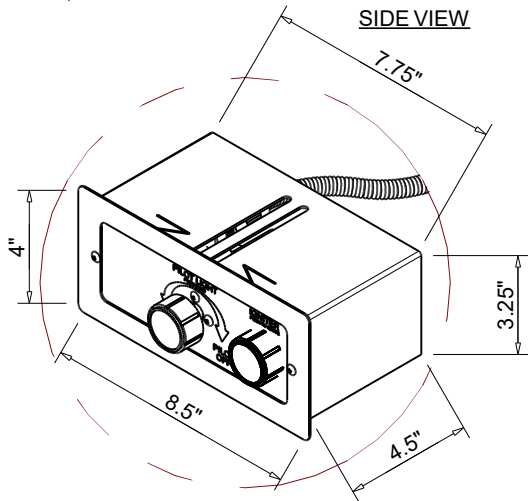
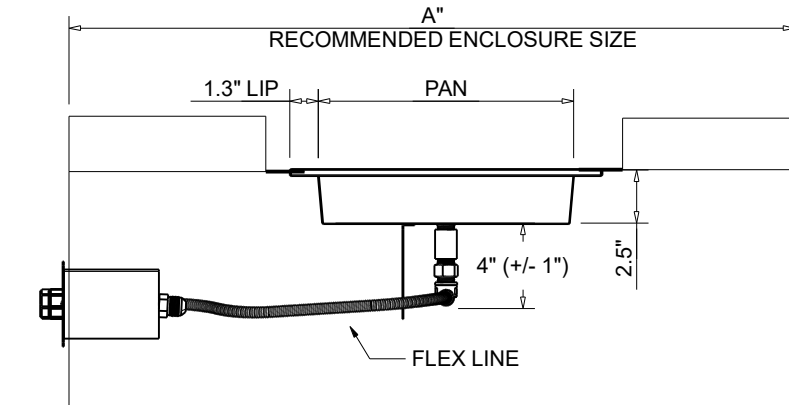




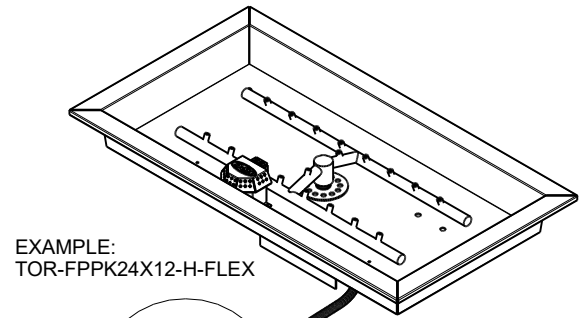
FIRE INSPIRED[®]

**CSA CERTIFIED-OUTDOOR USE ONLY
FOR COMMERCIAL AND RESIDENTIAL USE**

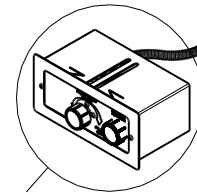
HEARTH PRODUCTS CONTROLS
2225 LYONS RD.
MIAMISBURG, OH 45342
TOLL FREE: 877.585.9800
PHONE: 937.436.9800
www.hpcfire.com



VALVE BOX DETAIL



EXAMPLE:
TOR-FPPK24X12-H-FLEX



VALVE BOX DETAIL

ISOMETRIC VIEW

SPARK IGNITION BY AA BATTERY
MATERIAL: 304 STAINLESS STEEL

PART NUMBERS		PAN	DIMENSION CHART			
			STANDARD BTU		A"	STND FLEX LINE LENGTH
			PENTA	TORPEDO		
TOR-	FPPK24X12-H-FLEX	24"X12"	75K	115K	56LX28W	36"
TOR-	FPPK30X12-H-FLEX	30"X12"	100K	150K	56LX28W	36"
TOR-	FPPK36X14-H-FLEX	36"X14"	125K	150K	64LX32W	36"
TOR-	FPPK42X14-H-FLEX	42"X14"	150K	200K	64LX32W	36"
TOR-	FPPK54X16-H-FLEX	54"X16"	200K	200K	76LX38W	36"

NOTES:

*FOR TORPEDO BURNERS ADD TOR-

1. PROPER VENTING

• ENCLOSURES:

- For Fire Pit Inserts upto 200K BTU: Required 2 vents, 18 sq.in. each on opposing sides.
- For Fire Pit Inserts 200K to 400K BTU: Required 4 vents, 18 sq.in. each on opposing sides.

• BOWLS (Copper, concrete or metal) - Bowl to be raised above mounting surface minimum of 3/4" gap; Bowl to have a minimum of 6" diameter hole in bottom

2. GAS SUPPLY

- Natural Gas: Supply Pressure: Minimum: 3.5" W.C.; Maximum: 7.0" W.C.
- LP Gas: Supply Pressure: Minimum: 8" W.C.; Maximum: 11.0" W.C.

IMPORTANT: Ensure any flex line that may be used from the permanent main fuel supply to the product is rated to the stated max btu of the product and certified to ANSI Z21.75*CSA 6.27.

3. MODIFICATION OF PRODUCT WILL VOID ANY CERTIFICATION AND WARRANTY.

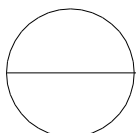
4. FOLLOW ALL MANUFACTURER INSTALLATION INSTRUCTIONS AND LOCAL CODES.

5. ALL DIMENSIONS ARE CONSIDERED TRUE AND REFLECT MANUFACTURER'S SPECIFICATIONS AS OF THE REVISION DATE.

6. DO NOT SCALE DRAWING.

7. THESE DRAWINGS ARE FOR SIZING AND PLANNING PURPOSES. ALL INFORMATION CONTAINED HEREIN WAS CURRENT AT THE TIME OF DEVELOPMENT. THE MANUFACTURER'S RESPONSIBLE FOR THE ACCURACY OF THE DRAWING.

8. CONTRACTOR'S NOTE: FOR PRODUCT AND COMPANY INFORMATION VISIT www.CADdetails.com/info REFERENCE NUMBER 771-002.



PUSH BUTTON/FLAME SENSING FIRE PIT INSERT - WITH FLEX LINE
RECTANGLE PAN - FPPK

