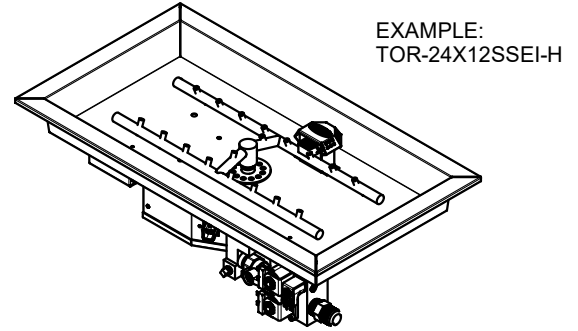
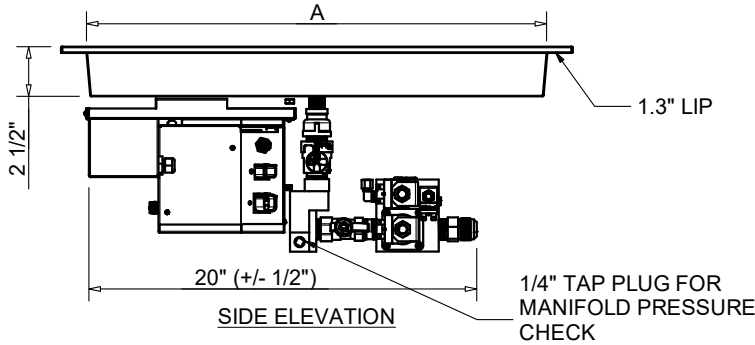




FIRE INSPIRED[®]

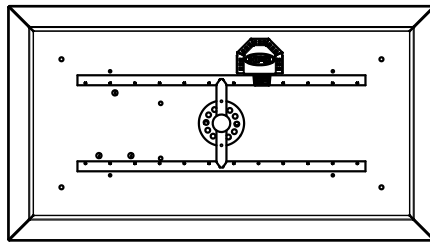
**CSA CERTIFIED-OUTDOOR USE ONLY
FOR COMMERCIAL AND RESIDENTIAL USE**

**HEARTH PRODUCTS CONTROLS
2225 LYONS RD.
MIAMISBURG, OH 45342
TOLL FREE: 877.585.9800
PHONE: 937.436.9800
www.hpcfire.com**

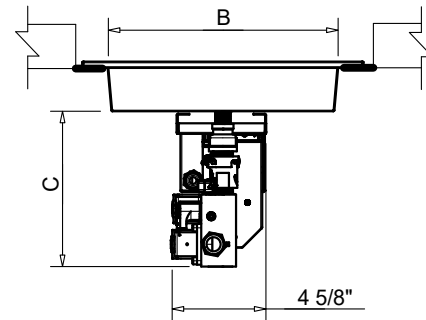


EXAMPLE:
TOR-24X12SSEI-H

ISOMETRIC VIEW



TOP VIEW



FRONT ELEVATION

AVAILABLE IN:

- 120VAC OR 24VAC
- ON/OFF OR HI/LO

MATERIAL: 304 STAINLESS STEEL

HI/LO MODELS HAVE A 40% REDUCTION IN BTU ON LOW SETTING

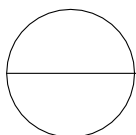
PART NUMBER	BTU	DIMENSION CHART		
		A"	B"	C" (+/- 1/2")
TOR-24X12SSEI-H	115K	24	12	7-3/4
TOR-30X12SSEI-H	150K	30	12	7-3/4
TOR-36X14SSEI-H	175K	36	14	7-3/4
TOR-42X14SSEI-H	200K	42	14	7-3/4
TOR-54X16SSEI-H	250K	54	16	7-3/4
TOR-66X16SSEI-H	300K	66	16	7-3/4
TOR-78X16SSEI-H	350K	78	16	7-3/4
TOR-90X16SSEI-H	400K	90	16	7-3/4

NOTES:

1. PROPER VENTING
 - ENCLOSURES:
 - For Fire Pit Inserts upto 200K BTU: Required 2 vents, 18 sq.in. each on opposing sides.
 - For Fire Pit Inserts 200K to 400K BTU: Required 4 vents, 18 sq.in. each on opposing sides.
 - BOWLS (Copper, concrete or metal) - Bowl to be raised above mounting surface minimum of 3/4" gap; Bowl to have a minimum of 6" diameter hole in bottom
2. GAS SUPPLY - FOR USE WITH FIXED PIPING SYSTEMS ONLY - NOT FOR USE WITH SMALL TANKS.
 - Natural Gas: Supply Pressure: Minimum: 3.5" W.C.; Maximum: 7.0" W.C.
 - LP Gas: Supply Pressure: Minimum: 8" W.C.; Maximum: 11.0" W.C.

IMPORTANT: Ensure any flex line that may be used from the permanent main fuel supply to the product is rated to the stated max btu of the product and certified to ANSI Z21.75*CSA 6.27.

3. MODIFICATION OF PRODUCT WILL VOID ANY CERTIFICATION AND WARRANTY.
4. FOLLOW ALL MANUFACTURER'S INSTALLATION INSTRUCTIONS AND LOCAL CODES.
5. ALL DIMENSIONS ARE CONSIDERED TRUE AND REFLECT MANUFACTURER'S SPECIFICATIONS AS OF THE REVISION DATE.
6. DO NOT SCALE DRAWING.
7. THESE DRAWINGS ARE FOR SIZING AND PLANNING PURPOSES. ALL INFORMATION CONTAINED HEREIN WAS CURRENT AT THE TIME OF DEVELOPMENT. THE MANUFACTURER IS RESPONSIBLE FOR THE ACCURACY OF THE DRAWING.
8. CONTRACTOR'S NOTE: FOR PRODUCT AND COMPANY INFORMATION VISIT www.CADdetails.com/info REFERENCE NUMBER 771-044



**ELECTRONIC IGNITION
EI RECTANGLE - H BURNER
FLAME SENSING WITH ELECTRONIC HOT SURFACE IGNITION**

