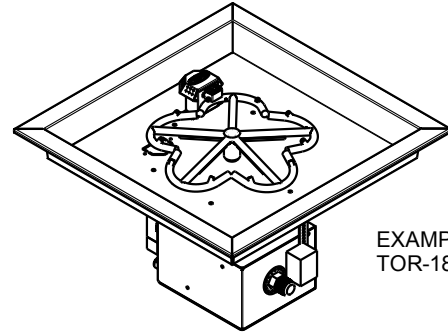
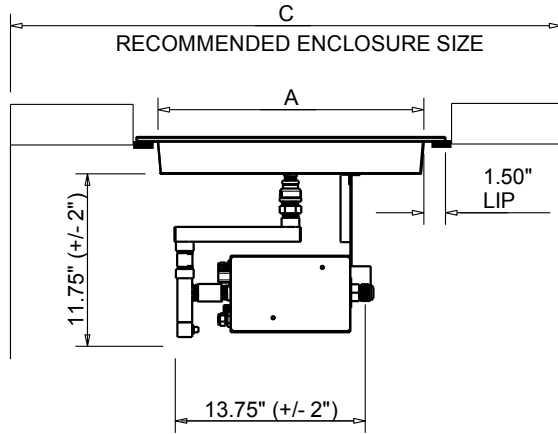




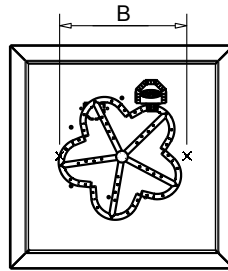
**FIRE INSPIRED<sup>®</sup>**

**CSA CERTIFIED-OUTDOOR USE ONLY  
FOR COMMERCIAL AND RESIDENTIAL USE**

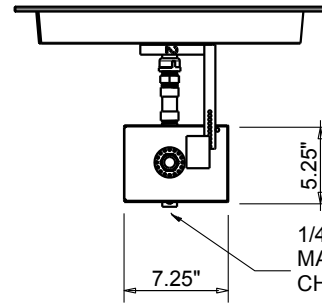


EXAMPLE:  
TOR-18SSEI-SQBL

ISOMETRIC VIEW



PLAN VIEW



SIDE ELEVATION

1/4" TAP PLUG FOR  
MANIFOLD PRESSURE  
CHECK

**AVAILABLE IN:**

- 120VAC OR 24VAC
- On/Off OR Hi/Low

**MATERIAL: 304 STAINLESS STEEL**

**Hi/Lo MODELS HAVE A 40% REDUCTION IN BTU ON LOW SETTING**

PART NUMBER	STANDARD BTU		DIMENSION CHART		
	PENTA	TORPEDO	A"	B"	C"
TOR- 18SSEI-SQBL	65K	65K	18	12	54
TOR- 24SSEI-SQBL	125K	125K	24	18	54
TOR- 30SSEI-SQBL	200K	200K	30	24	54
TOR- 36SSEI-SQBL	250K	275K	36	30	72
TOR- 42SSEI-SQBL	400K	375K	42	36	80

\*FOR TORPEDO BURNERS ADD TOR-

**Notes:**

**1. PROPER VENTING**

- ENCLOSURES: Recommend 4 each 18 sq.in. vents on opposing sides (Minimum 2 each 18 sq.in. vents).
- BOWLS (Copper, concrete or metal) - Bowl to be raised above mounting surface minimum of 3/4" gap; Bowl to have a minimum of 6" diameter hole in bottom

**2. GAS SUPPLY - FOR USE WITH FIXED PIPING SYSTEMS ONLY - NOT FOR USE WITH SMALL TANKS.**

- Natural Gas: Operating Supply Pressure: Minimum: 6.0" W.C.; Maximum: 7.0" W.C.
- LP Gas: Operating Supply Pressure: Minimum: 10.0" W.C.; Maximum: 11.0" W.C.

**IMPORTANT:** Ensure any flex line that may be used from the permanent main fuel supply to the product is rated to the stated max btu of the product and certified to ANSI Z21.75\*CSA 6.27.

5. MODIFICATION OF PRODUCT WILL VOID ANY CERTIFICATION AND WARRANTY.

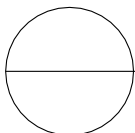
6. FOLLOW ALL MANUFACTURER INSTALLATION INSTRUCTIONS AND LOCAL CODES.

7. ALL DIMENSIONS ARE CONSIDERED TRUE AND REFLECT MANUFACTURER'S SPECIFICATIONS AS OF THE REVISION DATE.

8. DO NOT SCALE DRAWING.

9. THESE DRAWINGS ARE FOR SIZING AND PLANNING PURPOSES. ALL INFORMATION CONTAINED HEREIN WAS CURRENT AT THE TIME OF DEVELOPMENT. THE MANUFACTURER'S RESPONSIBLE FOR THE ACCURACY OF THE DRAWING.

10. CONTRACTOR'S NOTE: FOR PRODUCT AND COMPANY INFORMATION VISIT [www.CADdetails.com/info](http://www.CADdetails.com/info) REFERENCE NUMBER 771-061.



**ELECTRONIC IGNITION**

**EI SQUARE BOWL PAN- FLAME SENSING WITH ELECTRONIC HOT SURFACE IGNITION**