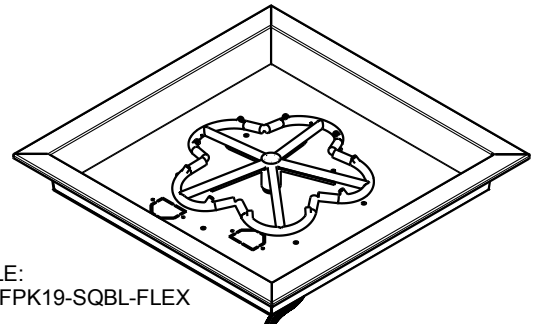
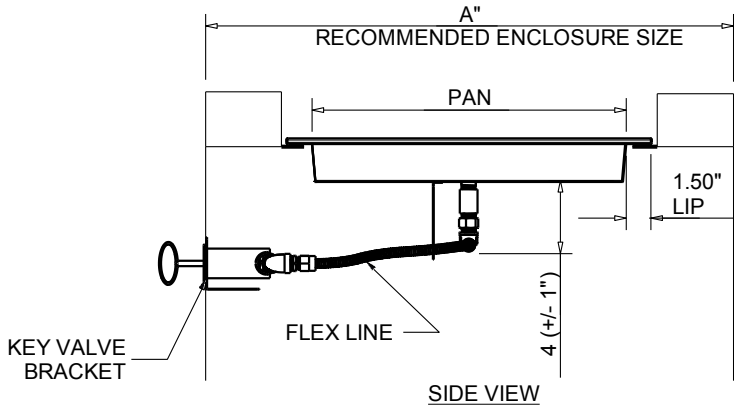




# FIRE INSPIRED<sup>®</sup>

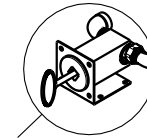
CSA CERTIFIED-OUTDOOR USE ONLY  
FOR COMMERCIAL AND RESIDENTIAL USE



EXAMPLE:  
TOR-MLFPK19-SQBL-FLEX

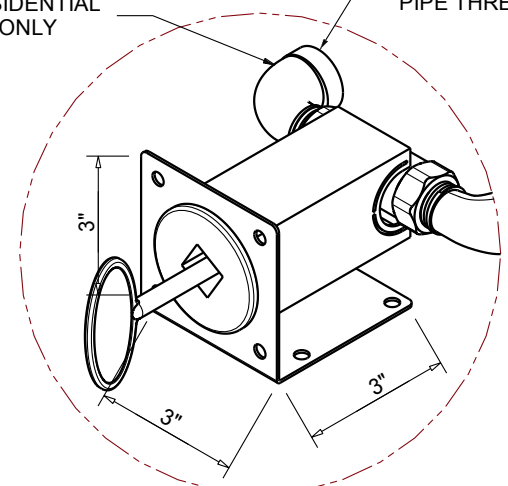
ISOMETRIC VIEW

BRACKET DETAIL



GAS IN: RESIDENTIAL  
PRESSURE ONLY

1/2" FEMALE  
PIPE THREAD



BRACKET DETAIL

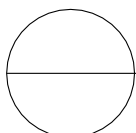
MATERIAL: 304 STAINLESS STEEL

PART NUMBER		DIMENSION CHART				
		PAN	STANDARD BTU		A"	STND FLEX LINE LENGTH
			PENTA	TORPEDO		
TOR-	MLFPK19-SQBL-FLEX	18"X18"	65K	65K	45"	36"
TOR-	MLFPK25-SQBL-FLEX	24"X24"	65K	65K	54"	36"
TOR-	MLFPK31-SQBL-FLEX	30"X30"	65K	65K	54"	36"

\*FOR TORPEDO BURNERS ADD TOR-

Notes:

- PROPER VENTING
    - ENCLOSURES: Recommend 4 each 18 sq.in. vents on opposing sides (Minimum 2 each 18 sq.in. vents).
  - GAS SUPPLY - FOR USE WITH FIXED PIPING SYSTEMS OR FOR USE WITH SMALL TANKS UP TO 90K.
    - Natural Gas: Operating Supply Pressure: Minimum: 6.0" W.C.; Maximum: 7.0" W.C.
    - LP Gas: Operating Supply Pressure: Minimum: 10.0" W.C.; Maximum: 11.0" W.C.
- IMPORTANT: Ensure any flex line that may be used from the permanent main fuel supply to the product is rated to the stated max btu of the product and certified to ANSI Z21.75\*CSA 6.27.
- MODIFICATION OF PRODUCT WILL VOID ANY CERTIFICATION AND WARRANTY.
  - FOLLOW ALL MANUFACTURER INSTALLATION INSTRUCTIONS AND LOCAL CODES.
  - ALL DIMENSIONS ARE CONSIDERED TRUE AND REFLECT MANUFACTURER'S SPECIFICATIONS AS OF THE REVISION DATE.
  - DO NOT SCALE DRAWING.
  - THESE DRAWINGS ARE FOR SIZING AND PLANNING PURPOSES. ALL INFORMATION CONTAINED HEREIN WAS CURRENT AT THE TIME OF DEVELOPMENT. THE MANUFACTURER'S RESPONSIBLE FOR THE ACCURACY OF THE DRAWING.
  - CONTRACTOR'S NOTE: FOR PRODUCT AND COMPANY INFORMATION VISIT [www.CADdetails.com/info](http://www.CADdetails.com/info) REFERENCE NUMBER 771-63.



MATCH LIT FIRE PIT INSERT - WITH FLEX LINE

BOWL SQUARE PAN - MLFPK