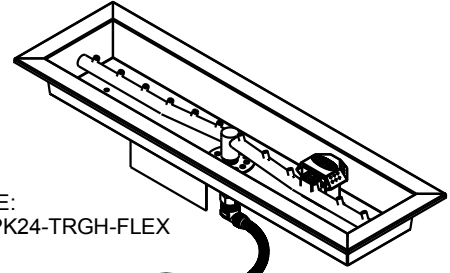
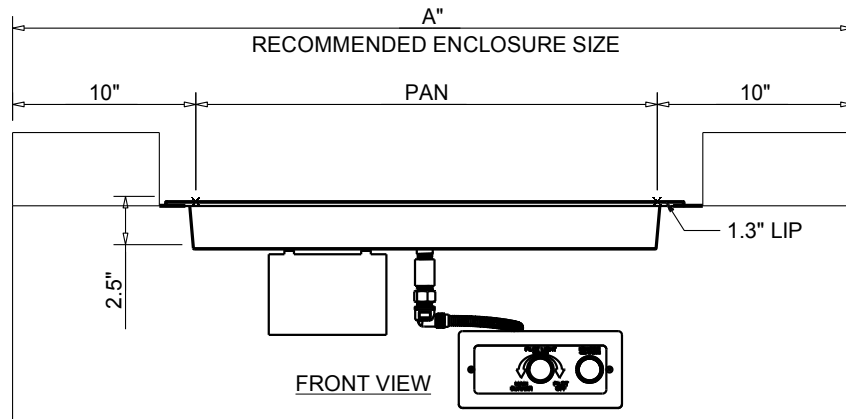
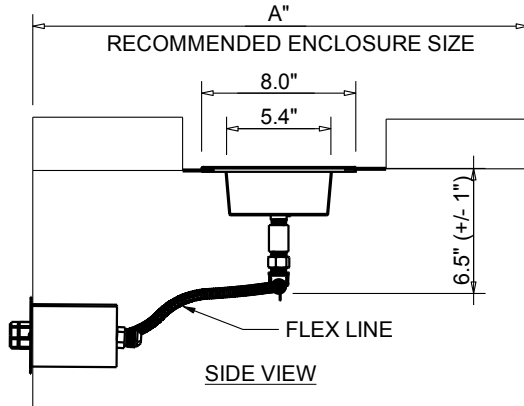


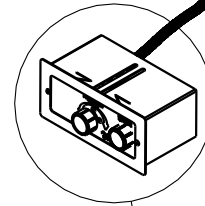


FIRE INSPIRED®

**CSA CERTIFIED-OUTDOOR USE ONLY
FOR COMMERCIAL AND RESIDENTIAL USE**

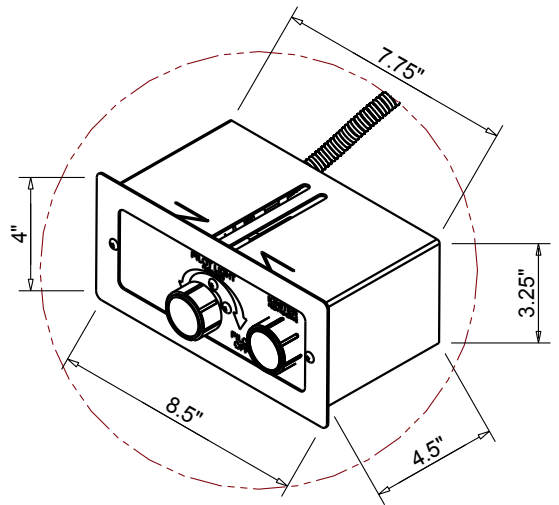


EXAMPLE:
TOR-FPPK24-TRGH-FLEX



ISOMETRIC VIEW

VALVE BOX DETAIL



VALVE BOX DETAIL

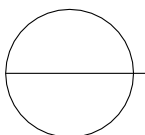
SPARK IGNITION BY AA BATTERY
MATERIAL: 304 STAINLESS STEEL

*FOR TORPEDO BURNERS ADD TOR-

| PART NUMBER | PAN | STANDARD BTU | | A" | STND FLEX LINE LENGTH |
|----------------------|-------|--------------|---------|----------|-----------------------|
| | | PENTA | TORPEDO | | |
| TOR-FPPK24-TRGH-FLEX | 24.5" | 50K | 75K | 44LX24W | 36" |
| TOR-FPPK36-TRGH-FLEX | 36.5" | 75K | 115K | 56LX24W | 36" |
| TOR-FPPK48-TRGH-FLEX | 48.5" | 90K | 150K | 68LX24W | 36" |
| TOR-FPPK60-TRGH-FLEX | 60.5" | 90K | 175K | 80LX24W | 36" |
| TOR-FPPK72-TRGH-FLEX | 72.5" | 140K | 200K | 92LX24W | 36" |
| TOR-FPPK96-TRGH-FLEX | 96.5" | 140K | 250K | 116LX24W | 36" |

Notes:

1. PROPER VENTING
 - ENCLOSURES: Recommend 4 each 18 sq.in. vents on opposing sides (Minimum 2 each 18 sq.in. vents).
 2. GAS SUPPLY - FOR USE WITH FIXED PIPING SYSTEMS OR FOR USE WITH SMALL TANKS UP TO 90K.
 - Natural Gas: Operating Supply Pressure: Minimum: 6.0" W.C.; Maximum: 7.0" W.C.
 - LP Gas: Operating Supply Pressure: Minimum: 10.0" W.C.; Maximum: 11.0" W.C.
- IMPORTANT: Ensure any flex line that may be used from the permanent main fuel supply to the product is rated to the stated max btu of the product and certified to ANSI Z21.75*CSA 6.27.
5. MODIFICATION OF PRODUCT WILL VOID ANY CERTIFICATION AND WARRANTY.
 6. FOLLOW ALL MANUFACTURER INSTALLATION INSTRUCTIONS AND LOCAL CODES.
 7. ALL DIMENSIONS ARE CONSIDERED TRUE AND REFLECT MANUFACTURER'S SPECIFICATIONS AS OF THE REVISION DATE.
 8. DO NOT SCALE DRAWING.
 9. THESE DRAWINGS ARE FOR SIZING AND PLANNING PURPOSES. ALL INFORMATION CONTAINED HEREIN WAS CURRENT AT THE TIME OF DEVELOPMENT. THE MANUFACTURER'S RESPONSIBLE FOR THE ACCURACY OF THE DRAWING.
 10. CONTRACTOR'S NOTE: FOR PRODUCT AND COMPANY INFORMATION VISIT www.CADdetails.com/info REFERENCE NUMBER 771-005.



PUSH BUTTON/FLAME SENSING FIRE PIT INSERT - WITH FLEX LINE
LINEAR TROUGH PAN - FPPK