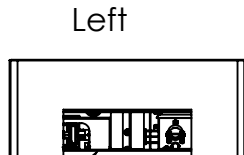
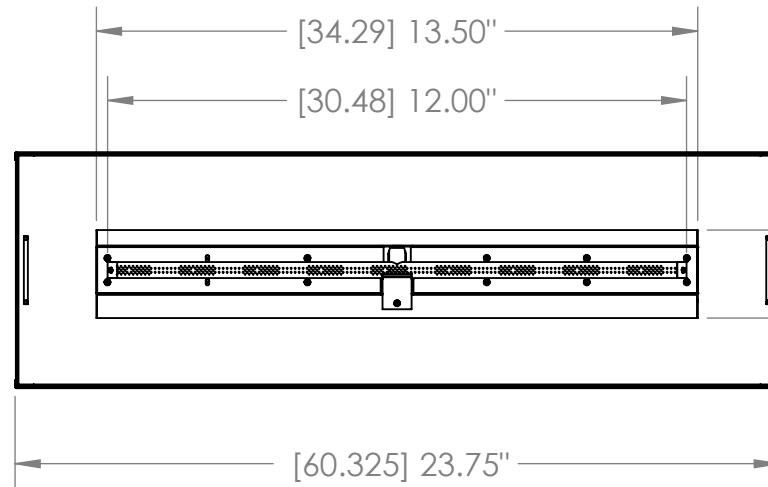
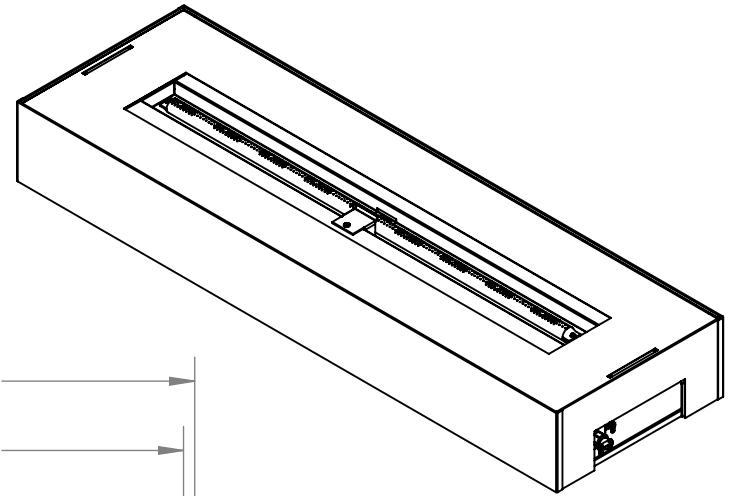
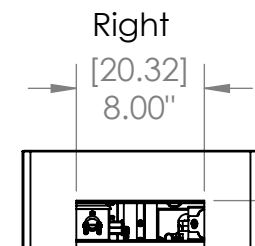
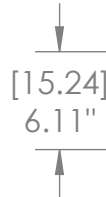


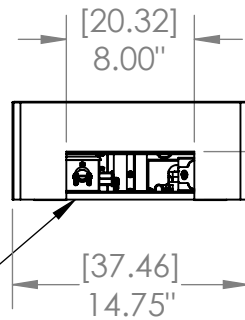
Volts	AC 120V/60Hz	
Lamps	LED 5V RGB	
	IR Remote Control	
	Wifi App capable	
Proflame II system	5 levels of Flame Intensity	
	Remote Ignition	
	Vented	
Max. Heat	30,000 BTU/hr	8.75kW
Low Heat (NG)	20,000 BTU/hr	5.85kW
Low Heat (LP)	15,000 BTU/hr	4.39kW



Gas Out



Power Out

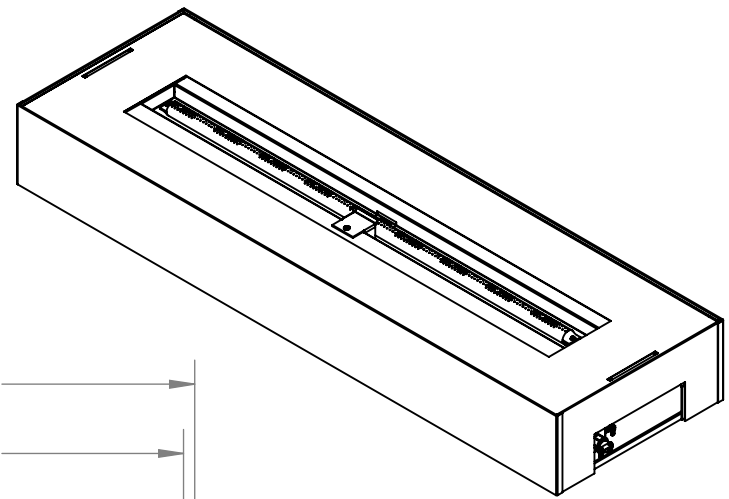


Part Number	LDB24L-EN LDB24L-EP
Series	Bedrock Burner

2

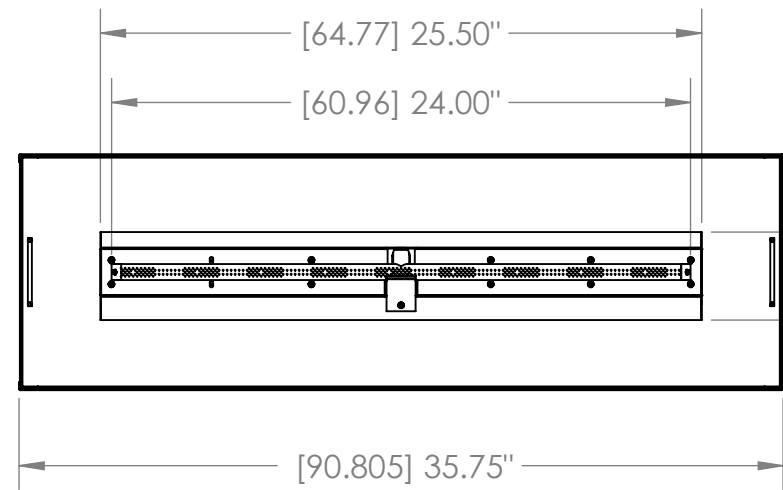
1

Volts	AC 120V/60Hz	
Lamps	LED 5V RGB	
	IR Remote Control	
	Wifi App capable	
Proflame II system	5 levels of Flame Intensity	
	Remote Ignition	
	Vented	
Max. Heat	45,000 BTU/hr	13.17kW
Low Heat (NG)	30,000 BTU/hr	8.75kW
Low Heat (LP)	20,000 BTU/hr	5.85kW



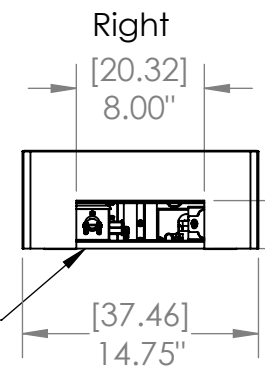
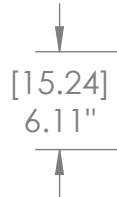
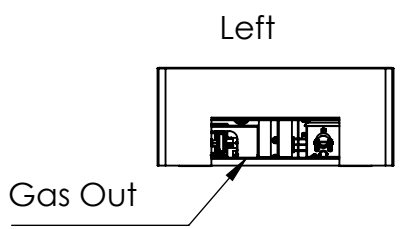
B

B



A

A



Part Number	LDB36L-EN LDB36L-EP
Series	Bedrock Burner

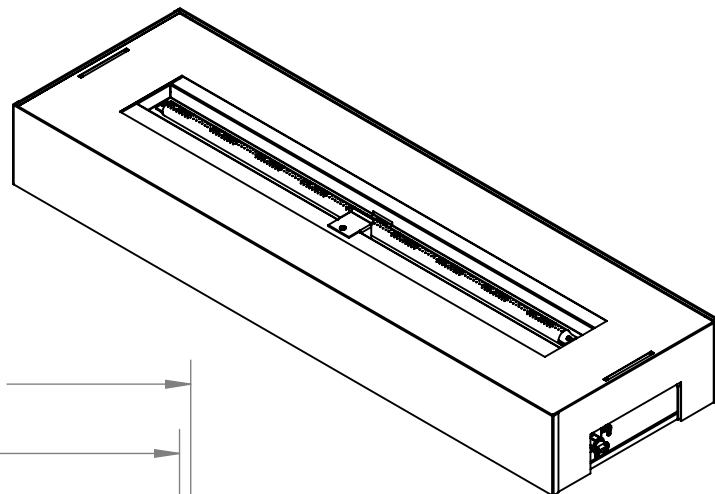
2

1

2

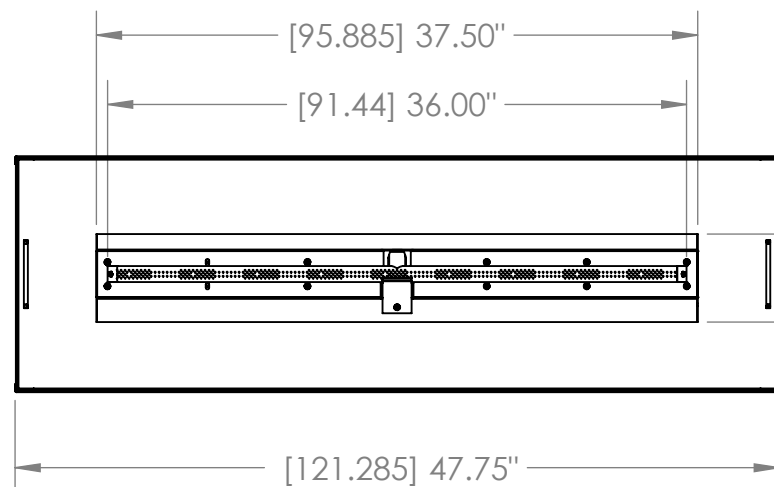
1

Volts	AC 120V/60Hz	
Lamps	LED 5V RGB	
	IR Remote Control	
	Wifi App capable	
Proflame II system	5 levels of Flame Intensity	
	Remote Ignition	
	Vented	
Max. Heat	60,000 BTU/hr	17.56kW
Low Heat (NG)	40,000 BTU/hr	11.71kW
Low Heat (LP)	30,000 BTU/hr	8.78kW



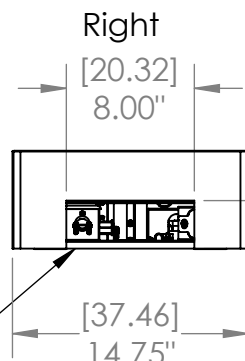
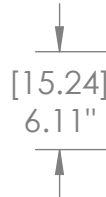
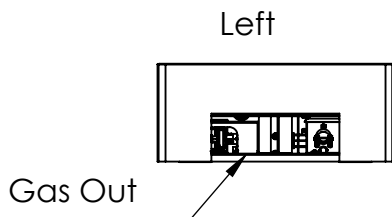
B

B



A

A



Part Number	LDB48L-EN LDB48L-EP
Series	Bedrock Burner

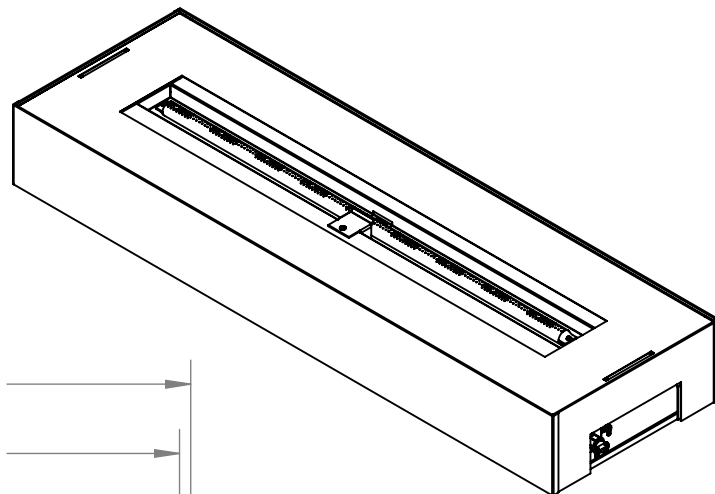
2

1

2

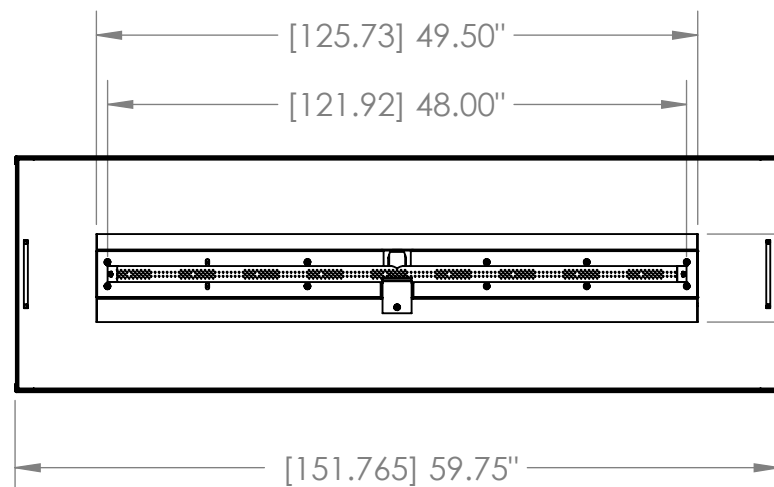
1

Volts	AC 120V/60Hz	
Lamps	LED 5V RGB	
	IR Remote Control	
	Wifi App capable	
Proflame II system	5 levels of Flame Intensity	
	Remote Ignition	
	Vented	
Max. Heat	75,000 BTU/hr	21.96kW
Low Heat (NG)	50,000 BTU/hr	14.64kW
Low Heat (LP)	40,000 BTU/hr	11.71kW



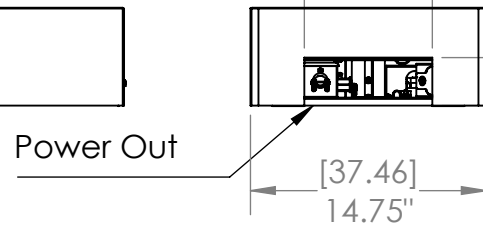
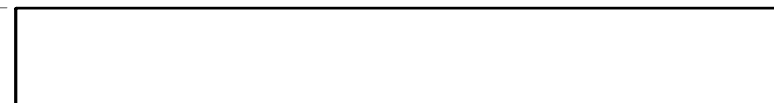
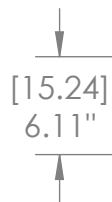
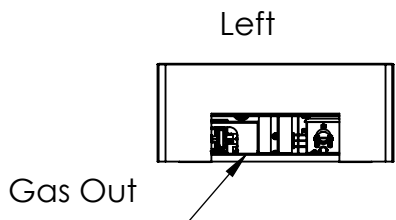
B

B



A

A

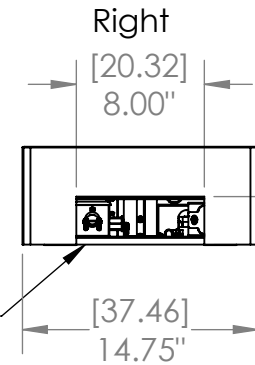
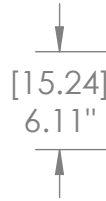
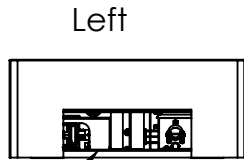
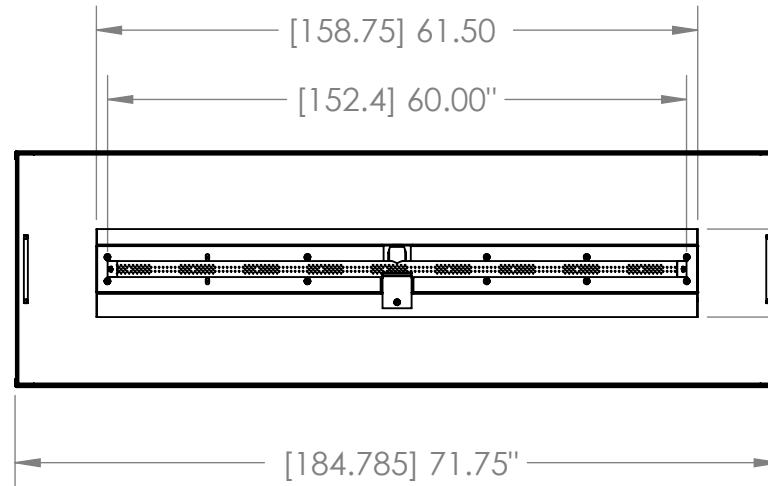
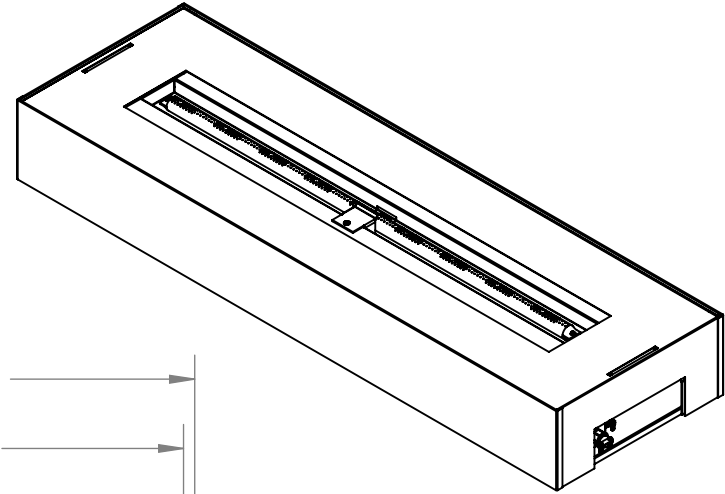


Part Number	LDB60L-EN LDB60L-EP
Series	Bedrock Burner

2

1

Volts	AC 120V/60Hz	
Lamps	LED 5V RGB	
	IR Remote Control	
	Wifi App capable	
Proflame II system	5 levels of Flame Intensity	
	Remote Ignition	
	Vented	
Max. Heat	90,000 BTU/hr	26.35kW
Low Heat (NG)	60,000 BTU/hr	17.56kW
Low Heat (LP)	50,000 BTU/hr	14.64kW

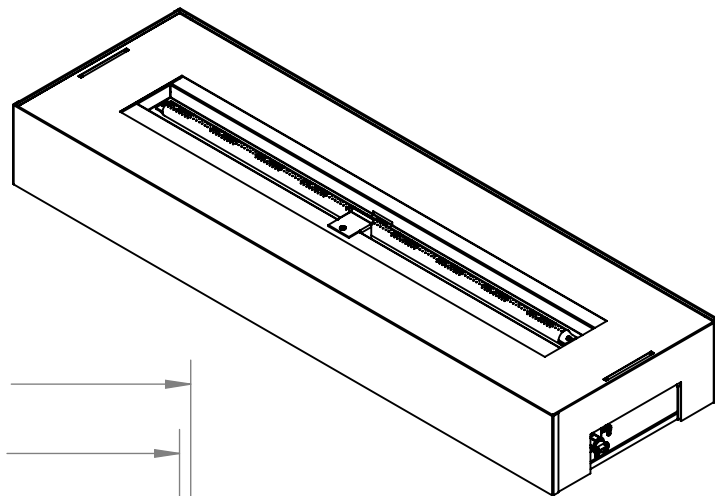


Part Number	LDB72L-EN LDB72L-EP
Series	Bedrock Burner

2

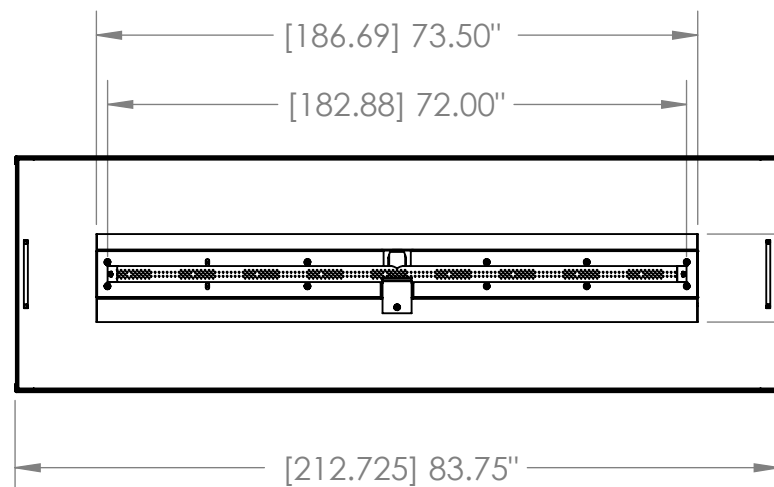
1

Volts	AC 120V/60Hz	
Lamps	LED 5V RGB	
	IR Remote Control	
	Wifi App capable	
Proflame II system	5 levels of Flame Intensity	
	Remote Ignition	
	Vented	
Max. Heat	105,000 BTU/hr	30.74kW
Low Heat (NG)	70,000 BTU/hr	20.49kW
Low Heat (LP)	55,000 BTU/hr	16.10kW



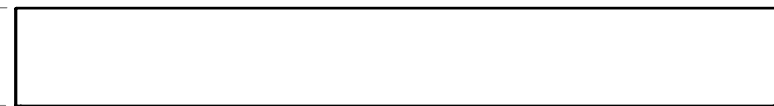
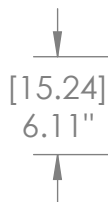
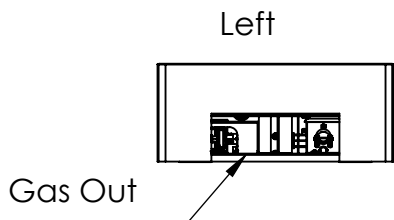
B

B

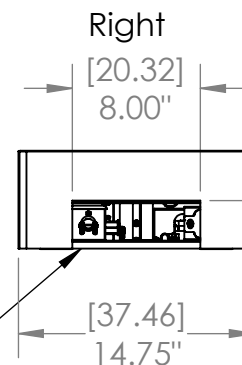


A

A



Power Out



Part Number	LDB84L-EN LDB84L-EP
Series	Bedrock Burner

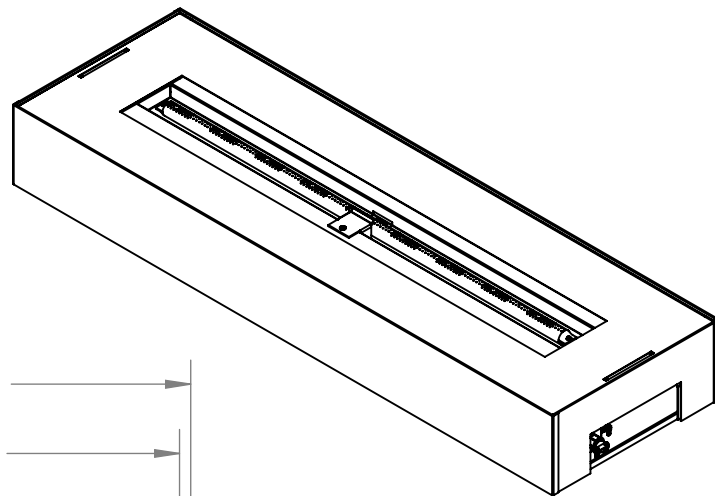
2

1

2

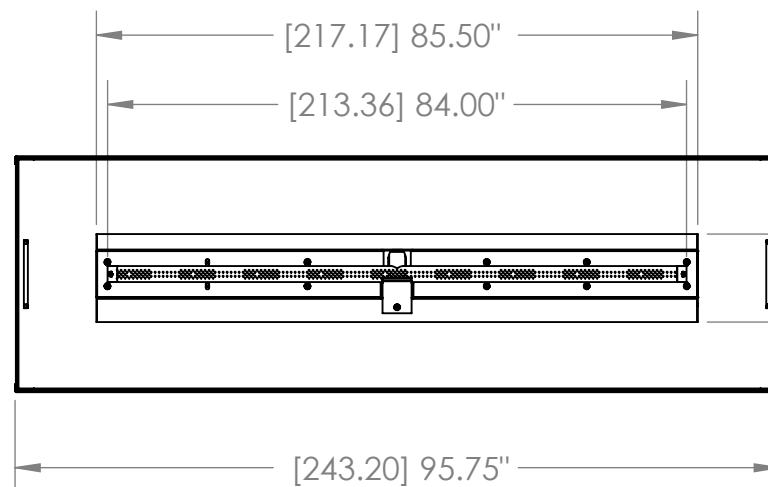
1

Volts	AC 120V/60Hz	
Lamps	LED 5V RGB	
	IR Remote Control	
	Wifi App capable	
Proflame II system	5 levels of Flame Intensity	
	Remote Ignition	
	Vented	
Max. Heat	120,000 BTU/hr	35.13kW
Low Heat (NG)	80,000 BTU/hr	23.42kW
Low Heat (LP)	60,000 BTU/hr	17.56kW



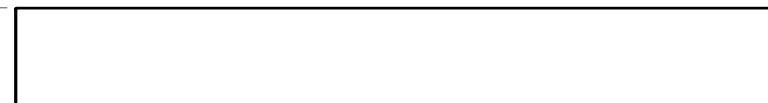
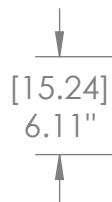
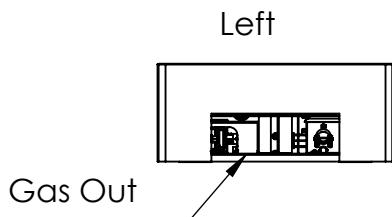
B

B

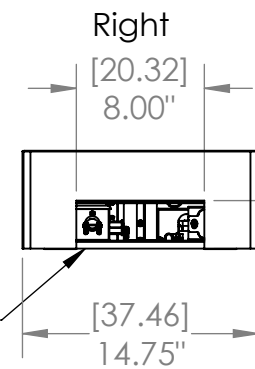


A

A



Power Out



Part Number	LDB96L-EN LDB96L-EP
Series	Bedrock Burner

2

1