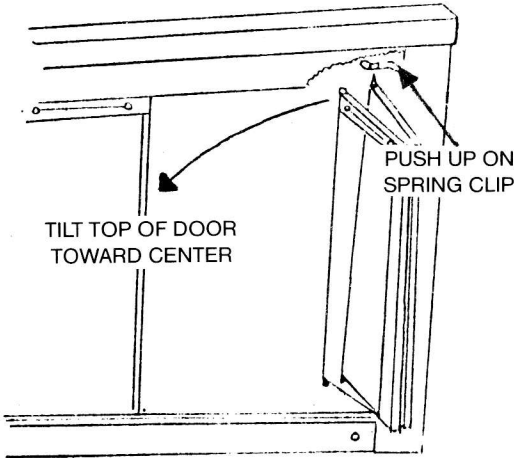


To open doors - lift up on handles.

INSTALLATION INSTRUCTIONS

CAUTION!

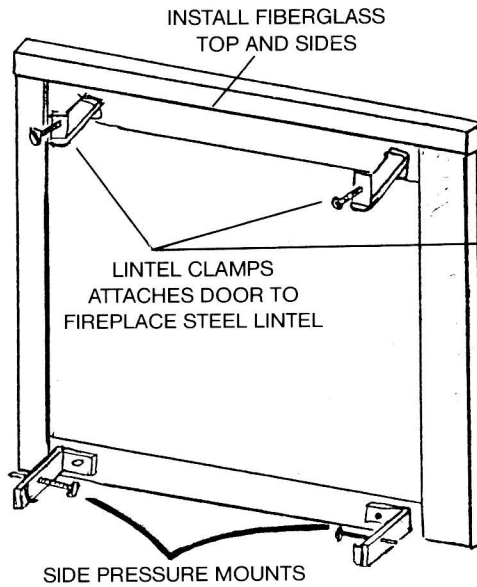
If your fireplace is new, make sure it has been neutralized before starting installation. Ask your builder. To neutralize, brush a mild solution of household ammonia and water on all brick, stone or mortar and rinse thoroughly.



TILT TOP OF DOOR TOWARD CENTER

PUSH UP ON SPRING CLIP

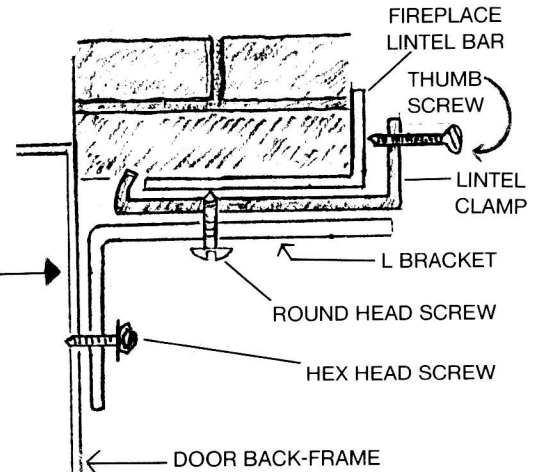
- Remove doors by pushing up on the spring retainers above each door and tilt doors to center.
- Later reinstall by first inserting the bottom hinge pins before pushing door to the vertical position.



INSTALL FIBERGLASS TOP AND SIDES

LINTEL CLAMPS ATTACHES DOOR TO FIREPLACE STEEL LINTEL

SIDE PRESSURE MOUNTS



FIREPLACE LINTEL BAR

THUMB SCREW

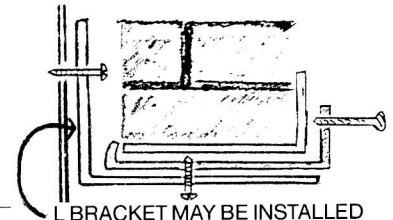
LINTEL CLAMP

L BRACKET

ROUND HEAD SCREW

HEX HEAD SCREW

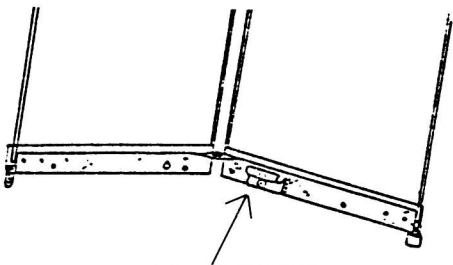
DOOR BACK-FRAME



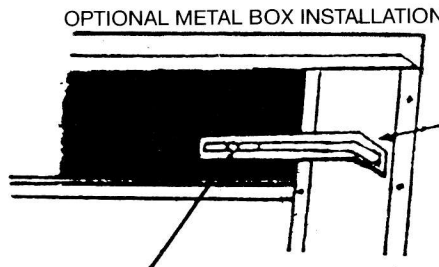
L BRACKET MAY BE INSTALLED IN THE UP POSITION IF REQUIRED FOR FIT

CARE OF GLASSDOOR

- The metal surface is protected with a special hi-temp enamel. Clean with mild soap and water. Do not use abrasive or metal polish cleaners.
- Do not burn large fires as excessive heat can damage the finish.
- The fireplace grate should be positioned in the rear of the fireplace.



DOOR LOCK-TABS MAY BE BENT UP OR DOWN TO INCREASE OR REDUCE TENSION



HEX HEAD SCREW

ATTACH L BRACKETS AT EACH CORNER. DRILL HOLES IN SIDES OF FIREPLACE AND ATTACH WITH METAL SCREWS (NOT INCLUDED IN HARDWARE KIT).

10 Year Limited Warranty

All mechanical components and glass panels of the Golden Blount Glass Firescreen are warranted against defects in material or workmanship for a period of ten years. The finish is guaranteed for one year.

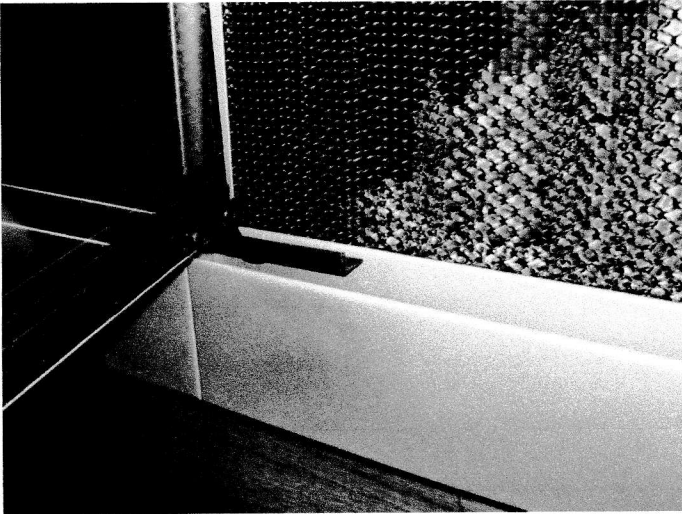
Damage caused by misuse, acid hearth, overfiring or rust caused by excessive moisture is not warranted.

For warranty service contact the factory direct or your selling dealer. Returns must be prepaid to the factory with proof of purchase sales ticket. Factory must approve returns prior to shipment.

Defective parts will be replaced at no charge and returned to you prepaid by the factory.

GOLDEN BLOUNT, 4200 Westgrove Drive, Dallas, TX 75248, 214-250-3113.

FOLDBACK DOOR INSTALLATION INSTRUCTIONS



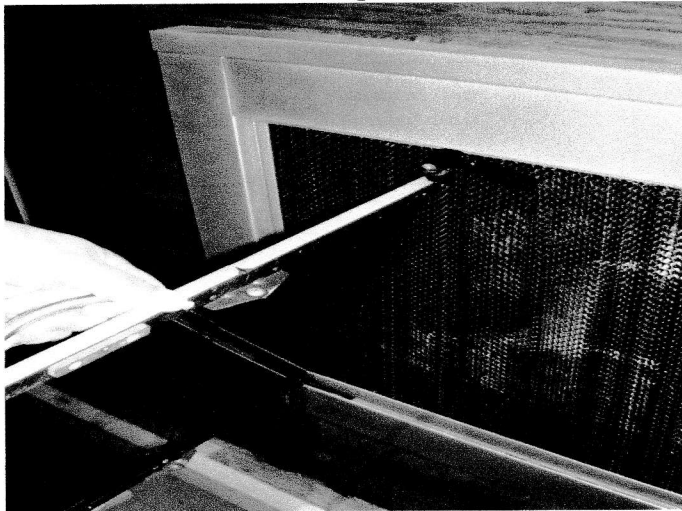
Step 1

Remove (4) screws from door tracks, align bottom foldback hinge with door track.



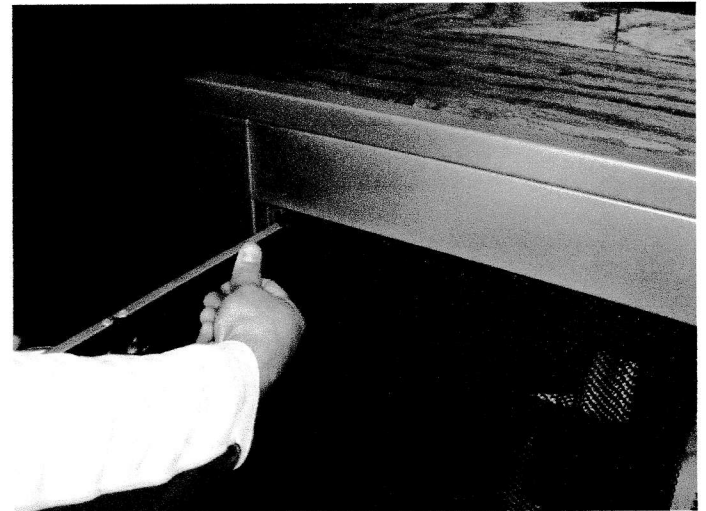
Step 2

Insert bottom foldback hinge in door track.



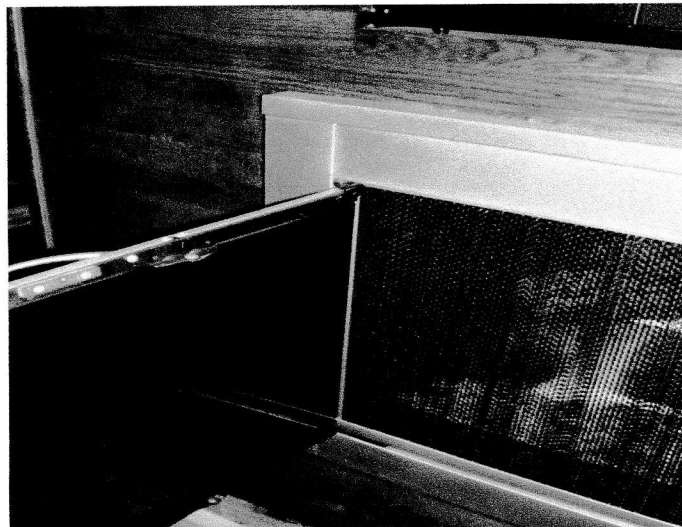
Step 3

Align top foldback hinge with door track.



Step 4

Slide top foldback hinge in door track.



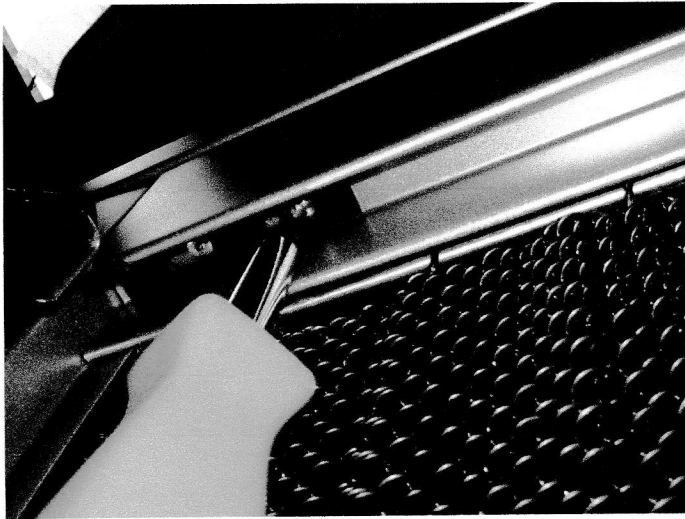
Step 5

Foldback hinges vertical to each other.



Step 6

Insert bottom screw.



Step 7
Insert top screw.



Step 8
Slightly loosen screws and adjust hinges so that bifolds are level at center and tighten screws



PROPERLY ALIGNED BIFOLDS