

MODEL:
PAVER-CP-TPSI

PAVER CONTROL PANEL-TPSI

Stainless Steel Control Panel for use with Fire Pits built with Patio Paver Blocks

Installation and Operating Instructions

**IF YOU CANNOT READ OR UNDERSTAND THESE INSTALLATION INSTRUCTIONS
DO NOT ATTEMPT TO INSTALL OR OPERATE THIS APPLIANCE**

CALIFORNIA PROPOSITION 65

WARNING

This product can expose you to Chromium, which is known to the state of California to cause cancer and birth defects or other reproductive harm.

(For more information, go to www.p65warnings.ca.gov)



Warning: For Outdoor Use Only



We recommend that our gas hearth products be installed and serviced by professionals who are certified in the U.S. by the National Fireplace Institute® (NFI) as NFI Gas Specialists.

PLEASE RETAIN THIS MANUAL FOR FUTURE REFERENCE

DESCRIPTION: The Paver Kit face plate bracket (control panel) is designed to install in conjunction with a typical Patio Block fire pit kit (purchased separately). It installs underneath the fire pit pan or disc in place of one patio block. The control panel itself provides a convenient location to house the gas valve and Piezo ignition (if applicable) then is easily removed for servicing.

PRECAUTION: Ensure the PAVER-CP-TPSI control panel is within 40-inches of the 2-probe Piezo ignitor. This will allow enough “play” in the wires to make your connections. See Fig. 9.

TOOLS NEEDED: (1) Drill/driver, Gas Rated Teflon Tape or Compound, 5/16” Hex head driver, (1) 3/16” Concrete Drill Bit, (2) Adjustable Wrenches, Assorted Open-end Wrenches

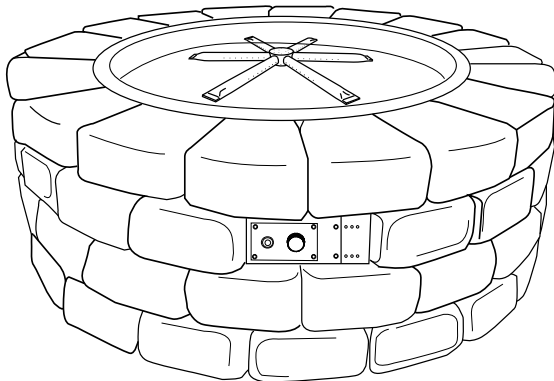


Fig. 1 Paver kit with fire pit pan.

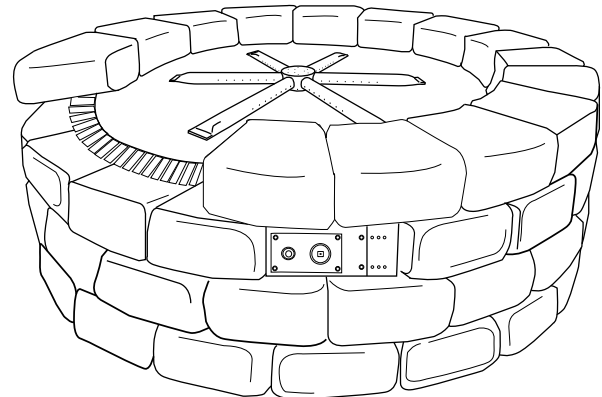


Fig. 2 Paver kit with fire pit flat disc.

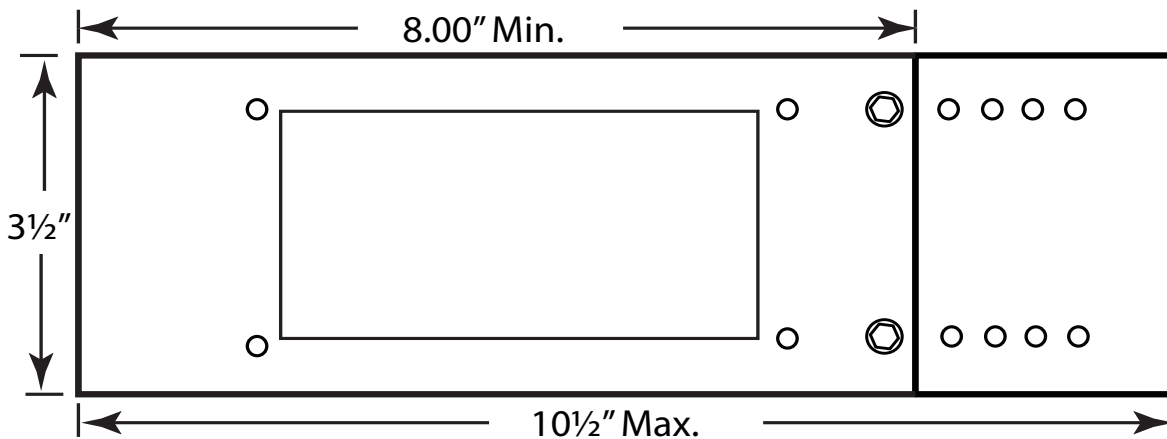


Fig 3. Paver Kit Control Panel Dimensions

DIMENSIONS: The Paver Kit bracket and extension will fit an opening with a maximum of 10 1/2” wide x 3 1/2” tall. Without the Bracket Extension plate the maximum width is 8.00” wide. The holes in the Extension Bracket are spaced every 1/2”.

GENERAL INSTRUCTIONS

NOTE: This section provides a general overview of the Paver Kit Control Panel. Follow the directions from your paver block fire pit kit to build the actual fire pit. Depending on your fire pit pan (flat disc or pan) ensure the Paver Kit control panel is installed underneath the pan or disc.

Be sure the paver patio block kit fits the opening of the fire pit pan or disc before beginning your installation.

STEP 1: Determine the best location to install the paver kit control panel per your installation.

STEP 2: Remove one or two blocks from the fire pit enclosure then measure the width between the opening. The bracket will fit and opening. Depending on the block width the control panel can be adjusted to fit from 8" to 10 1/2". **NOTE:** When measuring it is recommended but not required to recess the control panel to protect the valve components from weather.

Note: Use the lintel (supplied with kit) to support the paver patio blocks above control panel opening. The lintel simply lays on top of the paver as shown in Fig. 4.

STEP 3: After you have determined the location and measured the width to install the Paver Kit control panel mark the inside of the control panel as shown in Fig. 4.

STEP: 4 Drill the two holes with a 3/16" concrete drill bit and secure the paver kit control panel with concrete screws.

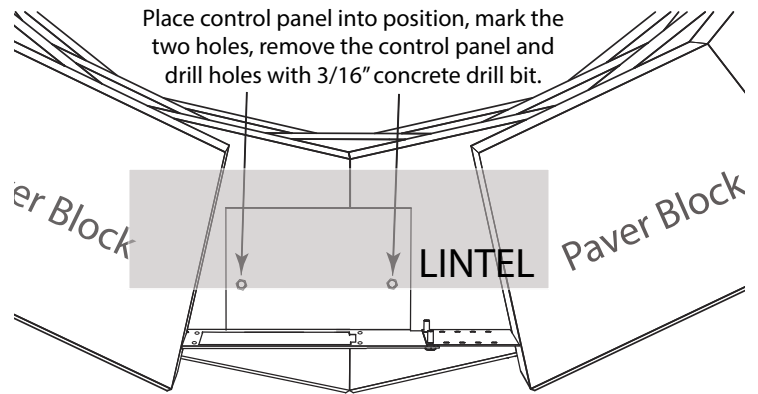


Fig. 4 Securing the control panel into the paver block. Lintel is shown in the gray shading.

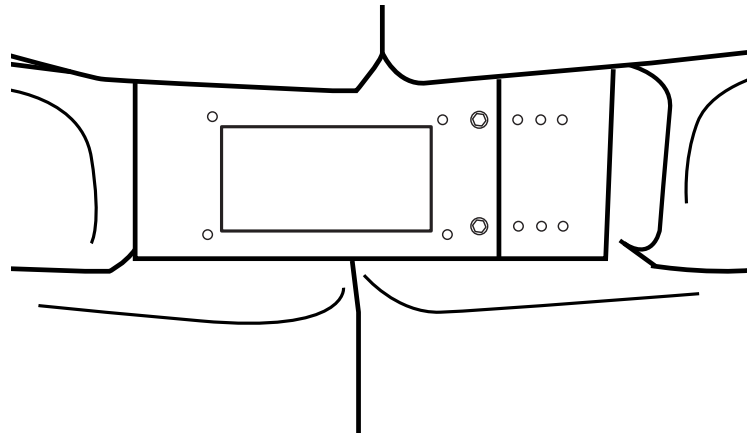


Fig. 5 Control panel installed, ready for valve bracket.

TPSI VALVE INSTALLATION

Remove the TPSI valve and bracket assembly from the carton.

STEP 1: Prepare the fire pit gas valve by installing a 3/8" close nipple and 1/2" OD Flare x 3/8" brass fitting that comes with the PAVER-CP-TPSI kit into the gas inlet. Use gas rated Teflon tape or compound on the male threads. Ensure the fittings are tight to prevent any gas leaks.

CAUTION: Do not use any Teflon tape or compound on the flared ends of the fittings.

STEP 2: The TPSI gas valve is supplied partially assembled. You will need to connect the Piezo wires, pilot tubing, inlet gas supply and flex line to the fire pit. See Fig. 7.

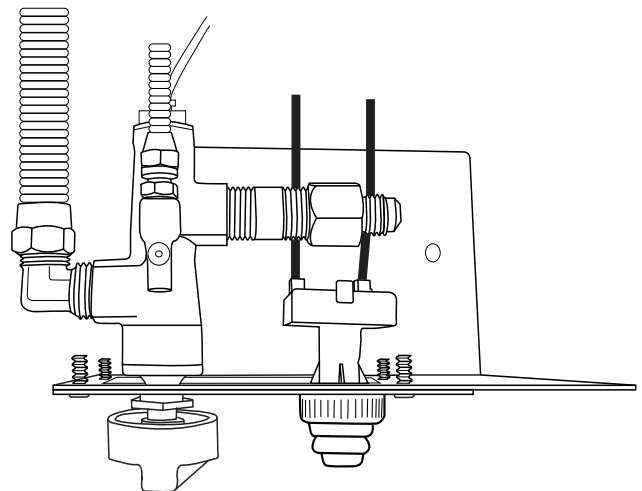


Fig. 6 Shows valve assembly removed from shipping bag.



STEP 3: Install the main burner orifice on burner pan of the fire pit. and secure the flex connector to the ½" flared fitting. See fire pit manual.

STEP 4: Temporarily set fire pit into the enclosure to make the following connections:

- A. Install flex connector to main burner orifice at bottom of fire pit then bring other end through the paver bracket.
- B. Install flex connector to primary gas supply and feed the other end through the paver bracket.
- C. Feed the Piezo wires and pilot tubing through paver bracket.

See Figs. 7-10 for details.

STEP 5: Secure the flex connectors to the gas valve and plug the Piezo wires into the back of the Piezo module.

Note: The Piezo wires are not polarity sensitive therefore they can plug into either connection of the Piezo module.

Check for gas leaks before final assembly.

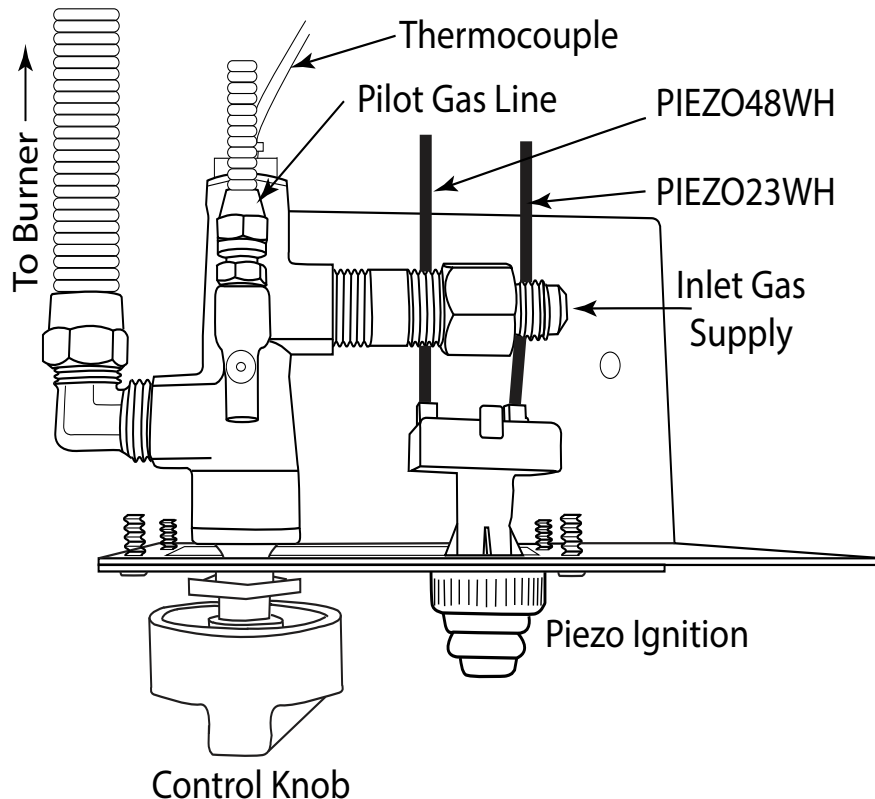


Fig. 7. Installing fittings.



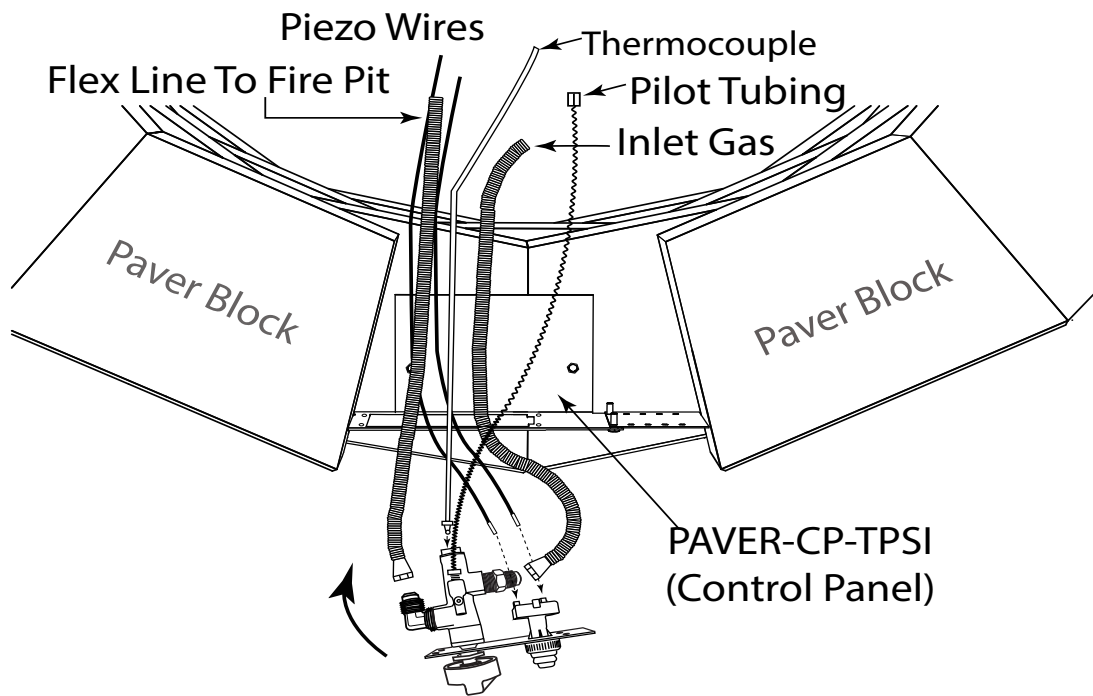


Fig. 8 Installing connections to valve bracket.

STEP 7: Once the fittings and wires are installed into the TPSI valve bracket then insert the valve bracket into Paver Kit Bracket as shown in Fig. 8.

STEP 8: Conduct a trial burn test and check for any gas leaks before completing the installation. See install manual of the fire pit or page 7 for lighting instructions.

STEP 9: After burn test is complete, finish the patio paver block installation by securing the TPSI valve bracket into place using the (4) stainless thread cutting screws. See Fig. 9.

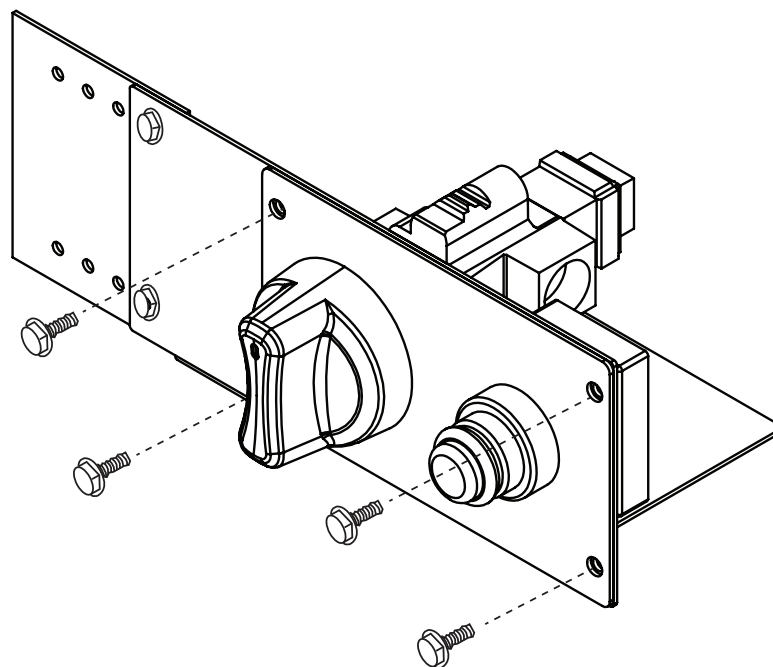


Fig. 9 Close up view securing TPSI valve bracket to control panel.

Step 10: Test the ignitor by pushing and holding the red button to ensure the 2-probe ignitor is sparking inside the ignition box in the burner pan. The spark should be located directly over top of the burner port hole for proper ignition of the gas as previously discussed. **Note:** Fig. 10 show details of the wiring.

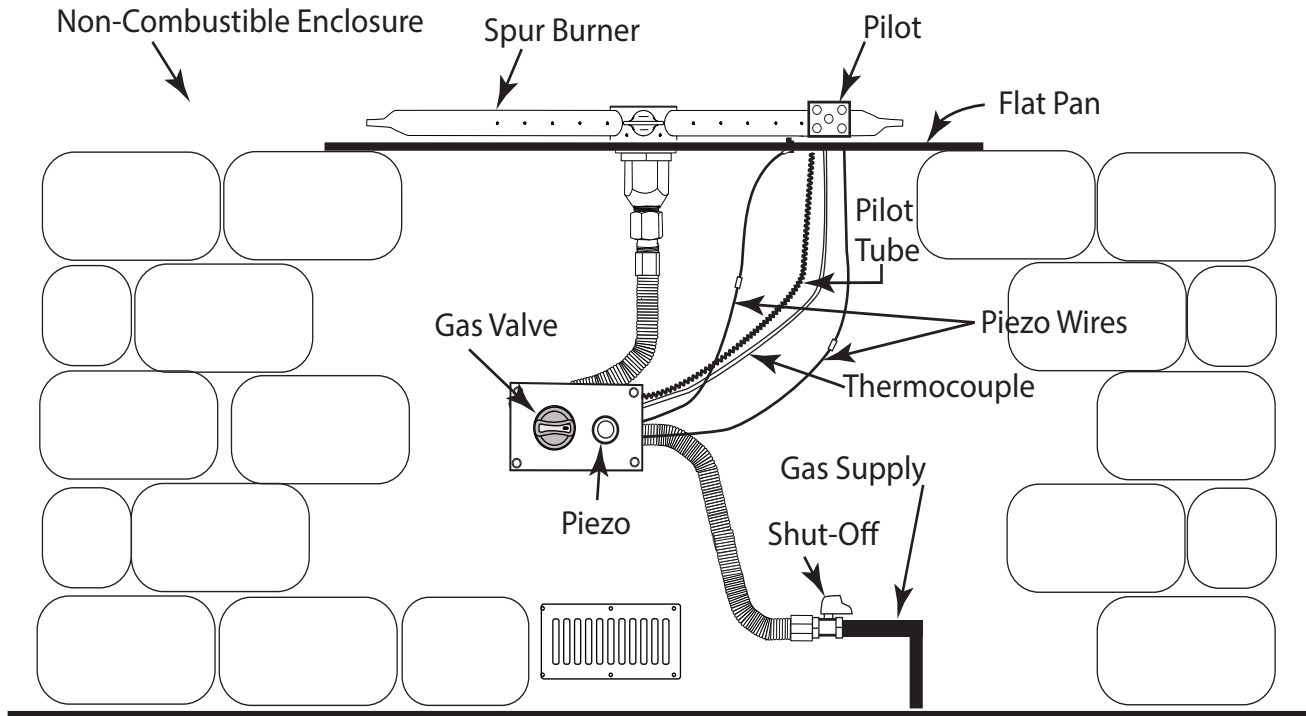


Fig. 10 Wiring diagram for complete system.

Step 11: Install the ignition hood screen. Ensure no media covers hood. See Fig. 11. Install the lava rock/media material according to fire pit install manual then turn the main gas supply back ON.

Installation is now complete.

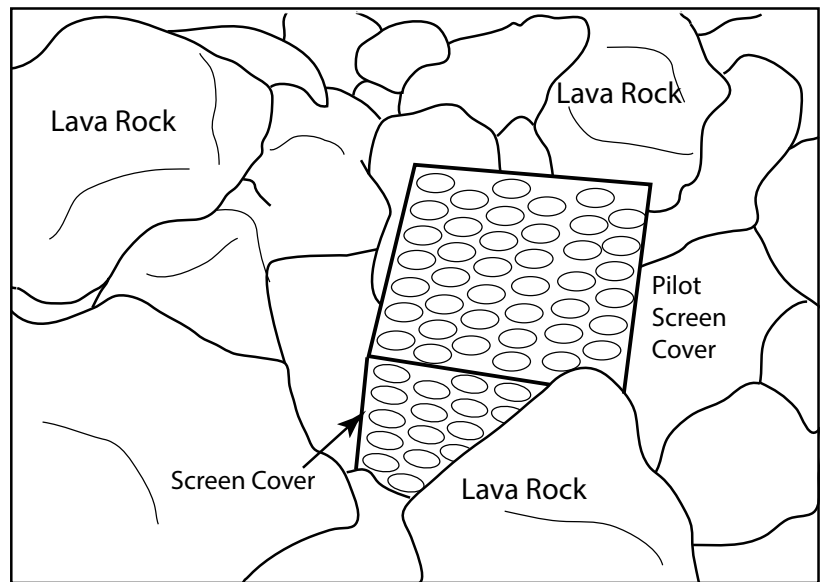


Fig. 11 Ensure pilot screen cover is not blocked with media.

CAUTION: ENSURE YOU HAVE LEAK TESTED THE FIRE PIT BEFORE LIGHTING AND OPERATING.



LIGHTING INSTRUCTIONS

CAUTION: Children and adults should be alerted to the hazards on high surface temperatures and should stay away to avoid burns or clothing ignition. Young children should be carefully supervised when they are in the area of the appliance.

WARNING: Do not use this appliance if any part has been under water. Immediately call a qualified service technician to inspect the appliance and to replace any part of control system and any gas control, which has been under water.

SAFETY WARNINGS

1. Never leave the fire pit unattended during operation.
2. Clothing or other flammable materials should not be placed on or near the appliance.
3. Any guard or other protective device removed for servicing the appliance must be replaced prior to operating the appliance.
4. Installation and repair should be done by a qualified service person. The appliance should be inspected before use and at least annually by a qualified service person. More frequent cleaning may be required as necessary. It is imperative the control compartment, burners and circulating air passageways of the appliance be kept clean.
5. Inspect the fuel supply connection before each use of the appliance.
6. Temporary storage of this appliance indoors is permissible only if it has been disconnected from its fuel supply (Natural or L.P. gas line).

WARNING

1. This appliance is hot when operated and can cause severe burns if contacted.
2. Do not burn any solid fuels in this appliance.

READ ALL LIGHTING INSTRUCTIONS BEFORE ATTEMPTING TO LIGHT FIRE PIT

CAUTION: ENSURE YOU HAVE LEAK TESTED THE FIRE PIT BEFORE OPERATING.

WARNING: Do not stand over fire pit during ignition or operation due to high surface temperatures.

LIGHTING INSTRUCTIONS

TURNING ON FIRE PIT

1. Depress and hold the red Piezo button and ensure sparking is occurring inside the pilot hood. An audible sparking sound can be heard.
2. While holding the Piezo button, slightly depress the control knob inward and rotate counter clockwise to the PILOT position. Depress and hold control knob inward for at least 30 to 60 seconds; to light the PILOT.
3. Once the pilot lights, release the Piezo button and turn control knob counter clockwise to the ON position. If pilot does not stay lit, release the control knob, turn the control knob clockwise to turn OFF and wait 5 minutes before trying again. Turn gas supply OFF to check ignitor spacing and Piezo battery if no sparking occurs.
4. Repeat steps 1-4 to try again.

TURNING OFF FIRE PIT

1. Slightly depress the control knob inward and rotate the knob clockwise to OFF position. Fire pit will turn OFF.
2. After cooling off install cover (if applicable).

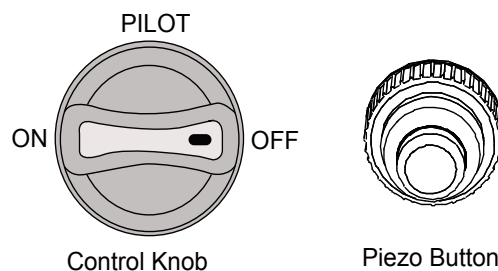
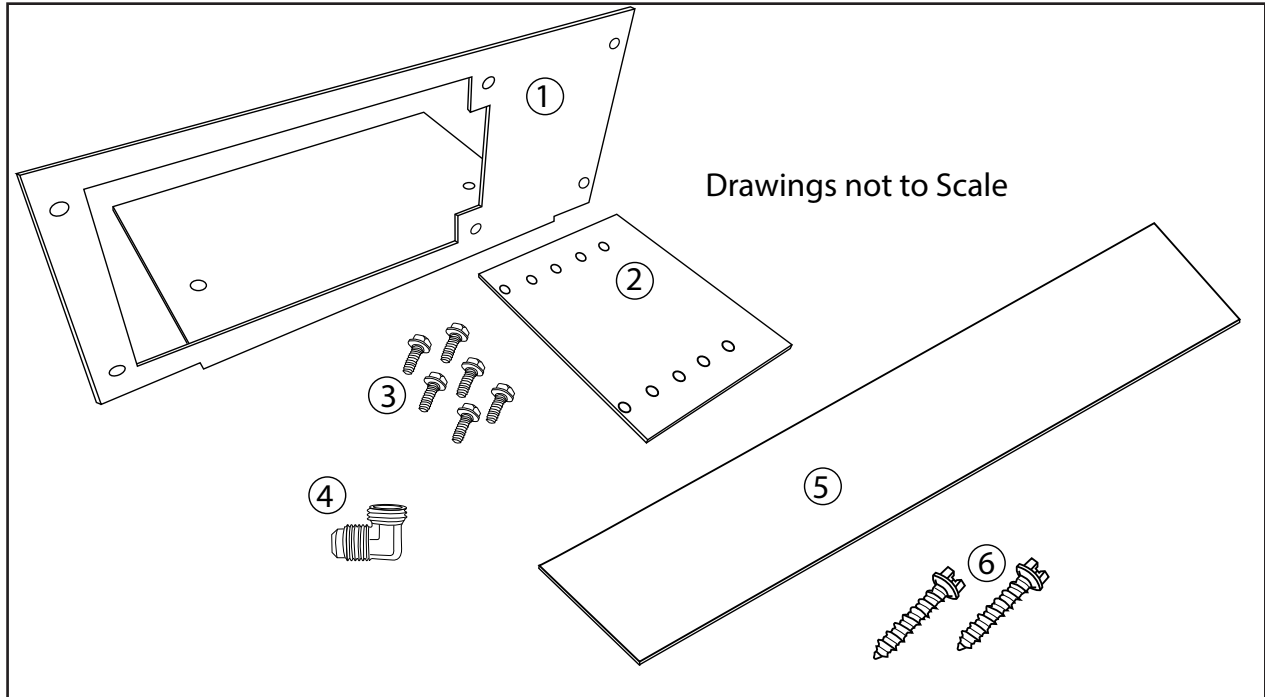


Fig. 12 Control panel with gas valve knob and Piezo.



PAVER-CP-TPSI REPLACEMENT PARTS



| Item # | Qty. | Description | Part Number |
|--------|------|---------------------------------------|-----------------------|
| 1 | 1 | Paver Kit Bracket | PAVERKITBRACKET-SS |
| 2 | 1 | Paver Kit Bracket Extension | PAVERKITBRACKETEXT-SS |
| 3 | 6 | 10-24 x 1/2" Stainless Hex Head Screw | 10759 |
| 4 | 1 | 1/2" OD Flare x 1/2" MIP (90° elbow) | 49-88 |
| 5 | 1 | 3" X 12" Steel lintel | PAVER-LINTEL |
| 6 | 2 | 1/4" x 1 1/4" Masonry Screws | SCREW.25MASONRY |

* Some part quantities will vary depending upon kit used.

FOR TECHNICAL SERVICE, CALL: (800) 966-8126

Firegear Outdoors
 17322 Gothard St
 Huntington Beach, CA 92647
 Web Site: www.firegearoutdoors.com

Manual changes often occur, ensure to check the Firegear Outdoor website for any recent updates and warranty information.

