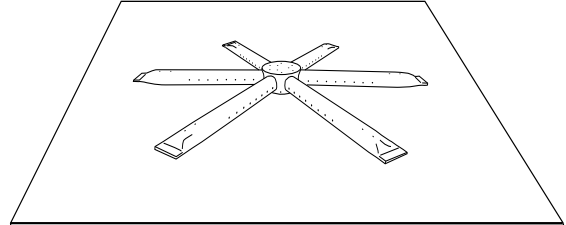
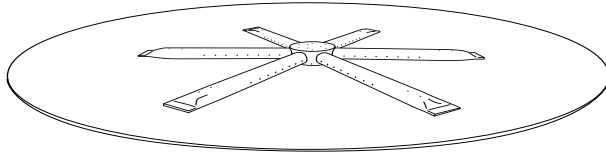




**DO NOT DISCARD. THIS MANUAL HAS IMPORTANT OPERATING AND MAINTENANCE INSTRUCTIONS. LEAVE WITH THE HOMEOWNER.**

**MODEL:**

**SERIAL #:**



## MODELS

| Natural Gas      | Description   |
|------------------|---|
| FPB-26DBS22MT-N  | 26" Round Stainless Flat Pan with 22" Burning Spur  |
| FPB-29DBS22MT-N  | 29" Round Stainless Flat Pan with 22" Burning Spur  |
| FPB-34DBS31MT-N  | 34" Round Stainless Flat Pan with 31" Burning Spur  |
| FPB-39DBS36MT-N  | 39" Round Stainless Flat Pan with 36" Burning Spur  |
| FPB-44DBS36MT-N  | 44" Round Stainless Flat Pan with 36" Burning Spur  |
| FPB-25SFBS22MT-N | 25" Square Stainless Flat Pan with 22" Burning Spur |
| FPB-30SFBS22MT-N | 30" Square Stainless Flat Pan with 22" Burning Spur |
| FPB-34SFBS31MT-N | 34" Square Stainless Flat Pan with 31" Burning Spur |
| FPB-40SFBS36MT-N | 40" Square Stainless Flat Pan with 36" Burning Spur |
| FPB-46SFBS36MT-N | 46" Square Stainless Flat Pan with 36" Burning Spur |

## Outdoor Round/Square Flat Pan Fire Pits (Match Throw (MT) Ignition) Installation and Operating Instructions

**IF YOU CANNOT READ OR UNDERSTAND THESE INSTALLATION INSTRUCTIONS DO NOT ATTEMPT TO INSTALL OR OPERATE THIS APPLIANCE**

### **INSTALLATION PRECAUTION:**

This fire pit requires a minimum 18-square inches (per side) of cross ventilation. Failure to provide proper ventilation can void the warranty.



**Warning: For Outdoor Use Only**



We recommend that our gas hearth products be installed and serviced by professionals who are certified in the U.S. by the National Fireplace Institute® (NFI) as NFI Gas Specialists.



**DANGER**

**CARBON MONOXIDE HAZARD**

This appliance can produce carbon monoxide which has no odor.

Using it in an enclosed area can kill you.

Never use this appliance in an enclosed space such as a camper, tent, car or home.



**DANGER  
FIRE OR EXPLOSION  
HAZARD**

If you smell gas:

1. Shut off gas to the appliance
2. Extinguish any open flame.
3. If odor continues, leave the area immediately.
4. After leaving the area, call your gas supplier or fire department.



**WARNING**

Do not store or use gasoline or other flammable vapors and liquids in the vicinity of this or other appliance.

An LP cylinder not connected for use shall not be stored in the vicinity of this or any other appliance.

**WARNING**

Do not leave unattended during use.  
Do not use for cooking.  
Follow all gas leak procedures in this manual prior to operation.



**WARNING**

Improper installation, adjustment, alteration, service or maintenance can cause injury or property damage, personal injury or loss of life  
Read the owner's information manual provided with this appliance.  
Installation and service must be performed by a qualified installer, service agency, or the gas supplier.

**WARNING**

If the information in this manual is not followed exactly, a fire or explosion may result causing property damage, personal injury, or **loss of life**.

**FOR YOUR SAFETY**

Do not store or use gasoline or other flammable vapors and liquids in the vicinity of this or other appliances.



Fuels used in gas fired appliances, and the products of combustion such as fuels, contain chemicals known to cause cancer, birth defects and/or other reproductive harm.  
This warning is issued pursuant to the California Health & Safety Code Sec. 25249.1

## CALIFORNIA PROPOSITION 65



### WARNING

This product is designed to operate with one of the following fuel sources: Liquid Propane or Natural Gas. The fuel used to operate this product, and the products of combustion of such fuel, can expose you to chemicals including Benzene which is known to the State of California to cause cancer, birth defects and other reproductive harm and Carbon Monoxide which is known to the State of California to cause birth defects or other reproductive harm.

(For more information go to: [www.p65Warnings.ca.gov](http://www.p65Warnings.ca.gov).)

## TABLE OF CONTENTS

|  |    |
|--|----|
| <b>Specifications</b>                            | 4  |
| <b>Gas Pipe Sizing Chart</b>                     | 5  |
| <b>Preparation for Non-Combustible Structure</b> | 6  |
| Hard Piping to Fire Pit                          | 6  |
| Cross Ventilation Requirements                   | 6  |
| High Elevation                                   | 6  |
| <b>Installation into an Approved Enclosure</b>   | 7  |
| Installing Key Valve and Orifice                 | 8  |
| Typically Installation Drawings                  | 9  |
| Expanded View Drawing                            | 10 |
| <b>Operation &amp; Lighting Instructions</b>     | 11 |
| <b>Replacement Parts</b>                         | 12 |
| <b>Replacement Parts List</b>                    | 13 |
| <b>Fire Pit Maintenance</b>                      | 13 |
| <b>Converting to LP Gas</b>                      | 14 |
| <b>Trouble Shooting</b>                          | 15 |
| <b>Optional Accessories</b>                      | 16 |
| <b>Warranty</b>                                  | 17 |



All media (i.e. lava rock, lava stones, lava boulders and fire glass) has the potential of thermal spalling. This is a process that may occur when media is wet and moisture gets trapped inside of the material due to rapid temperature differences. When this happens the media has the potential to crack or “pop” outside the fireplace.

**WE HIGHLY RECOMMEND COVERING ALL FIRE FEATURES WHEN NOT IN USE**

The use of a cover can lessen the impact of thermal spalling; however, heavy rains, high humidity and the presence of moisture may still cause the media to pop.

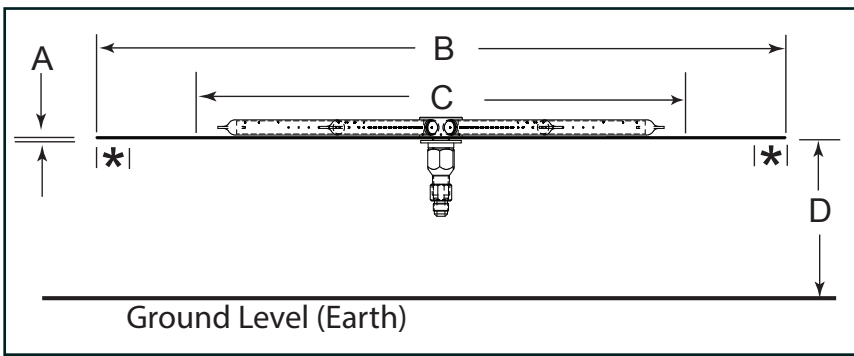
**ALWAYS USE CAUTION WHEN USING THE FIRE FEATURE**

Extra caution should be taken when lighting a fireplace when heavy rains, high humidity and moisture are present. Light the fireplace; leave the area allowing any moisture in the media to dissipate. We strongly recommend that during this drying out time that you monitor the fire feature from a distance. This drying out period should be no less than 30 minutes. Continue monitoring the flame from distance to ensure that all popping has ceased before fully enjoying the fire.

# SPECIFICATIONS

| Model:<br>Natural Gas =N | A<br>Disc<br>Depth | B<br>Pan<br>Diameter | C<br>Min.<br>Opening | D<br>Ground<br>Level | E<br>Side<br>Wall | F<br>Combustible<br>Ceiling | G<br>Combustible<br>Floor |
|--------------------------|--------------------|----------------------|----------------------|----------------------|-------------------|-----------------------------|---------------------------|
| FPB-26DBS22MT-N          | 1/16"              | 26"                  | 25"                  | 8"                   | 36"               | 96"                         | 18"                       |
| FPB-29DBS22MT-N          | 1/16"              | 29"                  | 28"                  | 8"                   | 36"               | 96"                         | 18"                       |
| FPB-34DBS31MT-N          | 1/16"              | 34"                  | 33"                  | 8"                   | 36"               | 120"                        | 18"                       |
| FPB-39DBS36MT-N          | 1/16"              | 39"                  | 38"                  | 8"                   | 36"               | 120"                        | 18"                       |
| FPB-44DBS36MT-N          | 1/16"              | 44"                  | 43"                  | 8"                   | 36"               | 120"                        | 18"                       |
| FPB-25SFBS22MT-N         | 1/16"              | 25"                  | 24"                  | 8"                   | 36"               | 96"                         | 18"                       |
| FPB-30SFBS22MT-N         | 1/16"              | 30"                  | 29"                  | 8"                   | 36"               | 96"                         | 18"                       |
| FPB-34SFBS31MT-N         | 1/16"              | 34"                  | 33"                  | 8"                   | 36"               | 120"                        | 18"                       |
| FPB-40SFBS36MT-N         | 1/16"              | 40"                  | 39"                  | 8"                   | 36"               | 120"                        | 18"                       |
| FPB-46SFBS36MT-N         | 1/16"              | 46"                  | 45"                  | 8"                   | 36"               | 120"                        | 18"                       |

**Table 1** Specifications.



**Fig. 1** Flat pan dimensions; refer to Table 1.

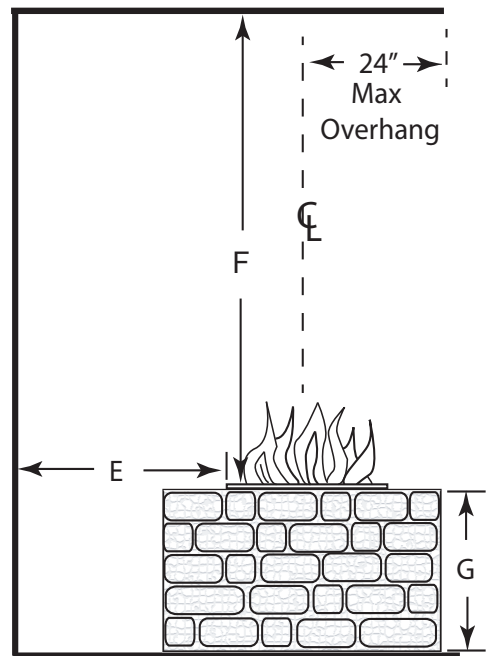
\* (Flex frame is recommended to sit pan into place, this enables pan to be lifted out of enclosure for service)

**NOTE:** These fire pits are shipped as Natural gas products and must be converted to LP gas, if applicable. See replacement parts section or Firegear Outdoors catalog for proper parts.

| Model:<br>N= Natural Gas | NG<br>Orifice | LP<br>Orifice | Btu's             |
|--------------------------|---------------|---------------|-------------------|
| FPB-26DBS22MT-N          | #16           | #31           | 125,000 (36.63kW) |
| FPB-29DBS22MT-N          | #16           | #31           | 125,000 (36.63kW) |
| FPB-34DBS31MT-N          | #05           | #26           | 175,000 (51.28kW) |
| FPB-39DBS36MT-N          | 25/64         | #12           | 250,000 (73.26kW) |
| FPB-44DBS36MT-N          | 25/64         | #12           | 250,000 (73.26kW) |
| FPB-25SFBS22MT-N         | #16           | #31           | 125,000 (36.63kW) |
| FPB-30SFBS22MT-N         | #16           | #31           | 125,000 (36.63kW) |
| FPB-34SFBS31MT-N         | #05           | #26           | 175,000 (51.28kW) |
| FPB-40SFBS36MT-N         | 25/64         | #12           | 250,000 (73.26kW) |
| FPB-46SFBS36MT-N         | 25/64         | #12           | 250,000 (73.26kW) |

**Table 2.** Btu Specifications

**Disclaimer:** Btu listings are based on 7.0"WC for Natural Gas and 11.0"WC for Liquid Propane (LP) at the burner orifice. Flex line size and proper gas pipe sizing will also affect Btu's. As a result your Btu's may vary slightly from Table 2 specifications.



**Fig. 2** Clearance to Combustibles (Not to be used in an enclosed space)

| Pressure     | NG                 | LP                 |
|--------------|--------------------|--------------------|
| Min. Inlet   | 5.0" WC (1.24kPa)  | 10.5" WC (2.61kPa) |
| Max. Inlet   | 10.5" WC (2.61kPa) | 13.0" WC (3.23kPa) |
| Normal Inlet | 7.0" WC (1.74kPa)  | 11.0" WC (2.73kPa) |

**Table 3.** Gas Pressures



# GAS PIPE SIZING CHART

## NATURAL GAS : PIPE SIZING CHART

| Length of Pipe in Feet | 1/2" | 3/4" | 1"  | 1 - 1/4" | 1 - 1/2" | 2"   | 2 - 2 1/2" | 3"   | 4"   |
|------------------------|------|------|-----|----------|----------|------|------------|------|------|
| 10                     | 108  | 230  | 387 | 793      | 1237     | 2259 | 3640       | 6434 | -    |
| 20                     | 75   | 160  | 280 | 569      | 877      | 1610 | 2613       | 5236 | 9521 |
| 30                     | 61   | 129  | 224 | 471      | 719      | 1335 | 2165       | 4107 | 7859 |
| 40                     | 52   | 110  | 196 | 401      | 635      | 1143 | 1867       | 3258 | 6795 |
| 50                     | 46   | 98   | 177 | 364      | 560      | 1041 | 1680       | 2936 | 6142 |
| 60                     | 42   | 89   | 159 | 336      | 513      | 957  | 1559       | 2684 | 5647 |
| 70                     | 38   | 82   | 149 | 317      | 476      | 896  | 1447       | 2492 | 5250 |
| 80                     | 36   | 76   | 140 | 239      | 443      | 840  | 1353       | 2315 | 4900 |
| 90                     | 33   | 71   | 133 | 275      | 420      | 793  | 1288       | 2203 | 4667 |
| 100                    | 32   | 68   | 126 | 266      | 411      | 775  | 1246       | 2128 | 4518 |
| 125                    | 28   | 60   | 117 | 243      | 369      | 700  | 1143       | 1904 | 4065 |
| 150                    | 25   | 54   | 105 | 215      | 327      | 625  | 1008       | 1689 | 3645 |
| 175                    | 23   | 50   | 93  | 196      | 303      | 583  | 993        | 1554 | 3370 |
| 200                    | 22   | 47   | 84  | 182      | 280      | 541  | 877        | 1437 | 3160 |
| 300                    | 17   | 37   | 70  | 145      | 224      | 439  | 686        | 1139 | 2539 |

- Natural Gas (NG) flow is given in thousands of BTU/hr. = 1 cubic foot of NG gas - 1000 BTU
- Nominal pressure at the burner for Natural Gas is 3.5" of water column. (Typical machine supply 5"-7")
- Pipe length must include additional length for all fittings. Add approximately 5 feet of pipe per fitting.
- Natural Gas Example: A machine with a burner that requires 440,000 BTU would need a 1 -1/4" pipe for a 20" long run.

## LIQUID PROPANE : PIPE SIZING CHART

| Length of Pipe in Feet | 1/2" | 3/4" | 1"   | 1 - 1/4" | 1 - 1/2" | 2"   | 2 - 2 1/2" | 3"    | 4"    |
|------------------------|------|------|------|----------|----------|------|------------|-------|-------|
| 10                     | 275  | 567  | 1071 | 2205     | 3307     | 6221 | 10140      | 17990 | 35710 |
| 20                     | 189  | 393  | 732  | 1496     | 2299     | 4331 | 7046       | 12510 | 25520 |
| 30                     | 152  | 315  | 590  | 1212     | 1858     | 3465 | 5695       | 10110 | 20620 |
| 40                     | 129  | 267  | 504  | 1039     | 1559     | 2992 | 4778       | 8481  | 17300 |
| 50                     | 114  | 237  | 448  | 913      | 1417     | 2646 | 4343       | 7708  | 15730 |
| 60                     | 103  | 217  | 409  | 834      | 1275     | 2394 | 3908       | 6936  | 14150 |
| 70                     | 89   | 185  | 346  | 724      | 1086     | 2047 | 3329       | 5908  | 12050 |
| 80                     | 78   | 162  | 307  | 630      | 976      | 1811 | 2991       | 5309  | 10830 |
| 90                     | 69   | 146  | 275  | 567      | 866      | 1606 | 2654       | 4711  | 9613  |
| 100                    | 63   | 132  | 252  | 511      | 787      | 1496 | 2412       | 4281  | 8736  |
| 125                    | 54   | 112  | 209  | 439      | 665      | 1282 | 2083       | 3618  | 7382  |
| 150                    | 48   | 100  | 185  | 390      | 590      | 1138 | 1808       | 3210  | 6549  |
| 175                    | 43   | 90   | 168  | 353      | 534      | 1030 | 1637       | 2905  | 5927  |
| 200                    | 40   | 83   | 155  | 325      | 491      | 947  | 1505       | 2671  | 5450  |
| 300                    | 37   | 77   | 144  | 303      | 458      | 887  | 1404       | 2492  | 5084  |

- Liquid Propane (LP) Gas flow is given in thousands of BTU/hr. = 1 cubic foot of LP gas - 2500 BTU.
- This chart refers to low pressure LP, after regulation, Standard nominal pressure at the burner for Liquid Propane Gas is 11" of water column.
- Pipe length must include additional length for all fittings. Add approximately 5 feet of pipe per fitting.
- LP Example: A machine with a burner that requires 440,000 BTU would need a 1" pipe for a 20' long run.

NOTE: The sizing charts above list the specific pipe sizes required for the amount of BTU's for a new gas line installations. If you are using an existing gas line you must take into consideration the existing gas line capacities to ensure you will have proper pressure. **This chart is for reference only, we recommend you consult with a Licensed Plumber/Gas Fitter or NFPA54 (National Fuel Gas Code - current edition) for more details.**

**Table 4** Gas pipe sizing chart



**WARNING:** Proper clearances from combustible materials must be maintained from all sides, top and bottom of this appliance. Use the specifications listed on pages 4 and 5 for proper clearance to combustibles.

## PREPARING A NON-COMBUSTIBLE STRUCTURE

The fire pit can be installed on a flat, stable surface, away from any combustible materials. Install fire pit on any level, outdoor non-combustible, flat stable surface or a combustible floor according to the clearances specified in this manual.

**NOTE:** Do not place fire pit directly on grass, dirt, or rocks as this may prevent proper ventilation (Fig. 3). **Ensure proper water drainage is also incorporated into the fire pit enclosure.**

### HARD PIPING TO FIRE PIT WITHOUT GAS PROXIMITY

**NOTE:** Refer to the NFPA54 (National Fuel Gas Code) for proper pipe sizing. In the absence of NFPA54 booklet, you can use gas pipe sizing chart on page 6.

1. Turn **OFF** gas supply system. **NOTE:** All gas connections (except for brass to brass) require the following. Clean pipe threads using either a wire brush or steel wool. Apply pipe sealant to the fittings before making any connection. **BE CAREFUL!** Ensure all gas connections are snug, but do not over tighten!
2. The primary gas shut-off (not supplied) will require a ½" male flared fitting to enable connection of the stainless steel flex gas line supplied with the fire pit.

### **IMPORTANT**

Installation of Natural or LP gas should be done by a qualified installer, service agency or gas supplier. This appliance must be isolated from the gas supply piping system by closing its manual shutoff valve during any pressure testing of the gas supply piping system at test pressures equal to or less than ½" psig (3.5kPa)

### VENTILATION FOR NON-COMBUSTIBLE ENCLOSURE

Fire pits are subjected to many outdoor elements such as rain, snow, wind, heat or cold. **A minimum of 18 square inches of cross ventilation (2 sides) is required to keep the components in good working order.** Use Fig. 3 as guide to assist to incorporate proper ventilation.

### HIGH ELEVATION INSTALLATION

This appliance is listed for elevations from 0- 4500 feet in Canada and the U.S. If elevation exceeds 4500 feet it may be necessary to decrease the input rating by changing the existing burner orifice to a smaller size. Input should be reduced 4% for each 1000 feet beyond the 4500 feet above sea level. Check with your local gas utility for assistance in determining the proper orifice in your location. In some cases the heating value may already be reduced and downsizing the orifice may not be necessary. Refer to NFPA54 Table E.1.1(d) for high altitude orifice sizing.

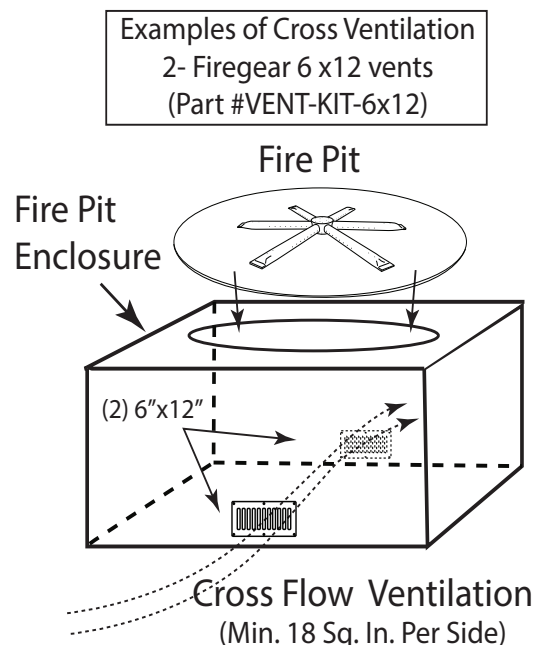


Fig. 3. Cross Ventilation Example

Fig 3. Cross Ventilation Example

## INSTALLATION OF FIRE PIT INTO AN APPROVED ENCLOSURE

### REQUIREMENTS

1. Only non-combustible materials should come in direct contact with any part of the fire pit. Underneath area should be non-combustible or a flat level combustible surface according to the clearances specified in this manual..
2. Refer to the NFPA54 (National Fuel Gas Code) for proper pipe sizing. See gas pipe sizing chart on page 5.
3. Determine the size of the round fire pit you are preparing to install (Refer to page 4).
4. You must provide a round opening cut-out opening to place the flat disc onto the non-combustible enclosure. Do not exceed the maximum opening from Table 1, dimension B located on page 4.
5. Follow the local code requirements for the gas type being used. This fire pit should be installed in accordance with local codes and ordinances or in the absence of local codes, with the latest National Fuel Gas Code, ANSI Z223.1 NFPA54 or CSA B149.1, Natural and Propane Installation Code in Canada.
6. Fire pits create high temperatures, it is very important to have any combustibles at a safe distance. Refer to page 4.
7. **CAUTION: A minimum of 18 square inches of cross ventilation (per side) is required to keep the inside of the enclosure dry. We recommend installation of a VENT-KIT-6x12SS. See accessory section.**
8. These products are designed for outdoor use only. Not approved for any indoor use.
9. This fire pit is designed to have lava rock completely covering the spur burner, so that the burner is not visible. Do not cover more than 1" above the top of the burner. When purchasing lava rock use 1" to 2" diameter as a base to cover the flat disc.
10. Gas lines and fittings must be installed in to the non-combustible structure. All gas connections must be leak tested before installation of the fire pit. Soapy water leak detection is required before regular use of the fire pit.
11. Do not use material that will absorb moisture over time and will not release this moisture quickly. Moisture can boil in this material and can rapidly break apart and cause damage or personal injury.
12. Never leave any other combustible material on top of the fire pit. This could cause unsafe operation of this system and damage to the component that will not be covered under our warranty.
13. **Ensure proper water drainage is also incorporated into the fire pit enclosure.**

Flat disc's are typically used with landscape blocks. The illustrations below show examples of possible installations. Fig's 4, 5, and 6 show the use of the flex frame system which provides the ability to easily remove the disc if necessary.

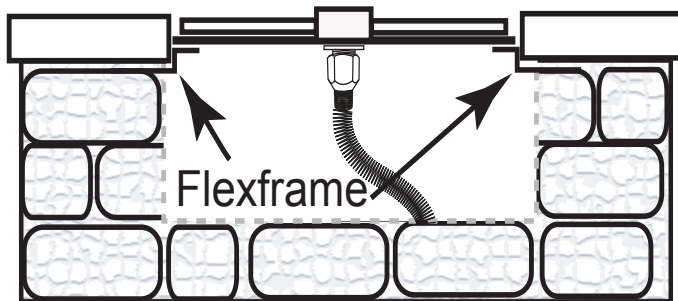


Fig. 4 Shows with Flexframe secured under stone caps.

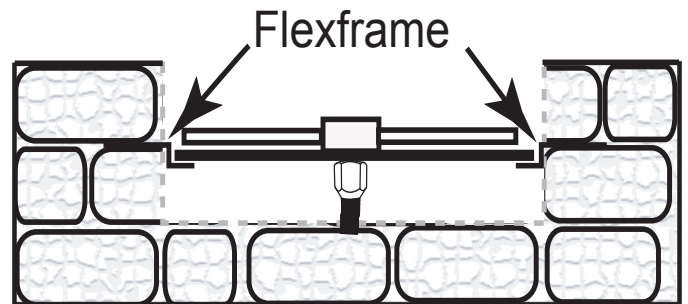


Fig. 5 Shows Flexframe secured between layer of block.

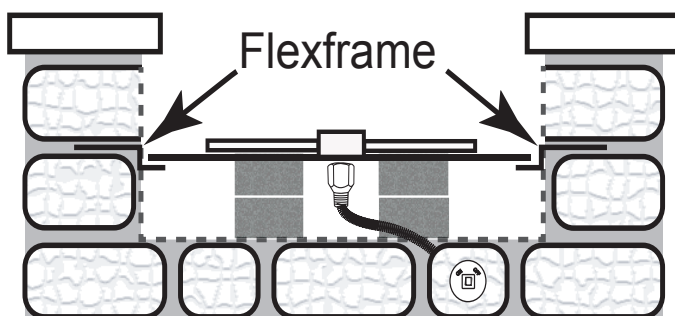


Fig. 6 Shows Flexframe with blocks supporting center of disc.

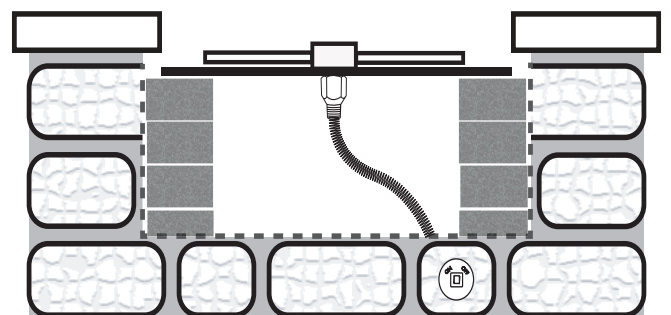


Fig. 7 Show blocks supporting an oversized opening.

## INSTALLATION

### INSTALLING BURNER ORIFICE (OAS)

Locate the burner nipple underneath the burner pan. Ensure the nipple from on the spur burner has gas rated Teflon tape wrapped around the threads. Thread the OAS (orifice air shutter) on to the nipple of the burning spur clockwise manner. Secure into position. See Fig. 8.

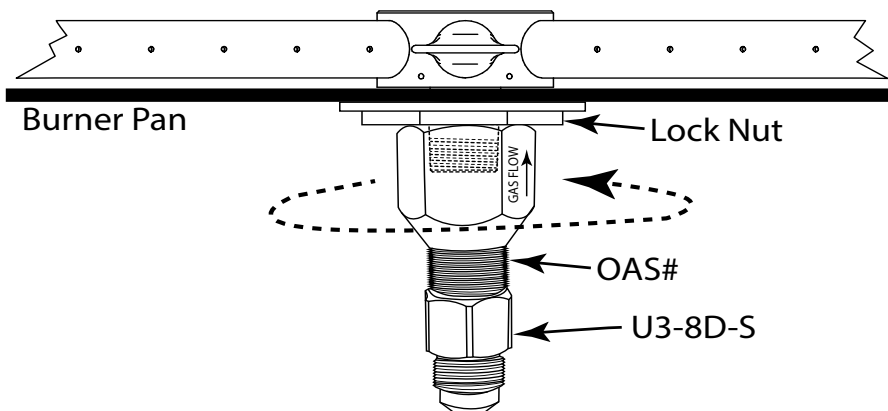


Fig. 8 Installing OAS assembly to spur burner.

### INSTALLING KEY VALVE

The key valve contents: 1- key valve, 1- key and 1- flange. (See Fig. 9). The valve requires a 1¼" round clearance hole in the non-combustible enclosure wall. See the instructions supplied with the key valve for more specific details. **Note:** Be sure to leak test all fitting before operation. Fig. 10 shows an example of a typical installation.

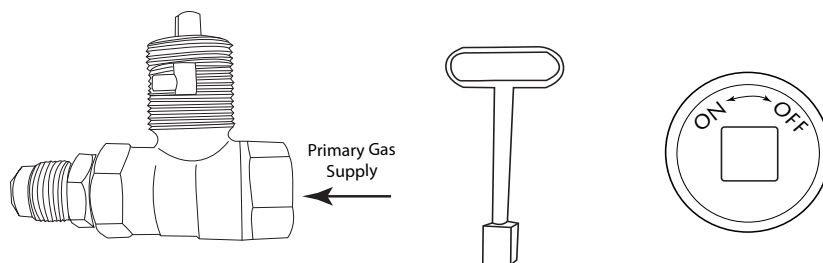
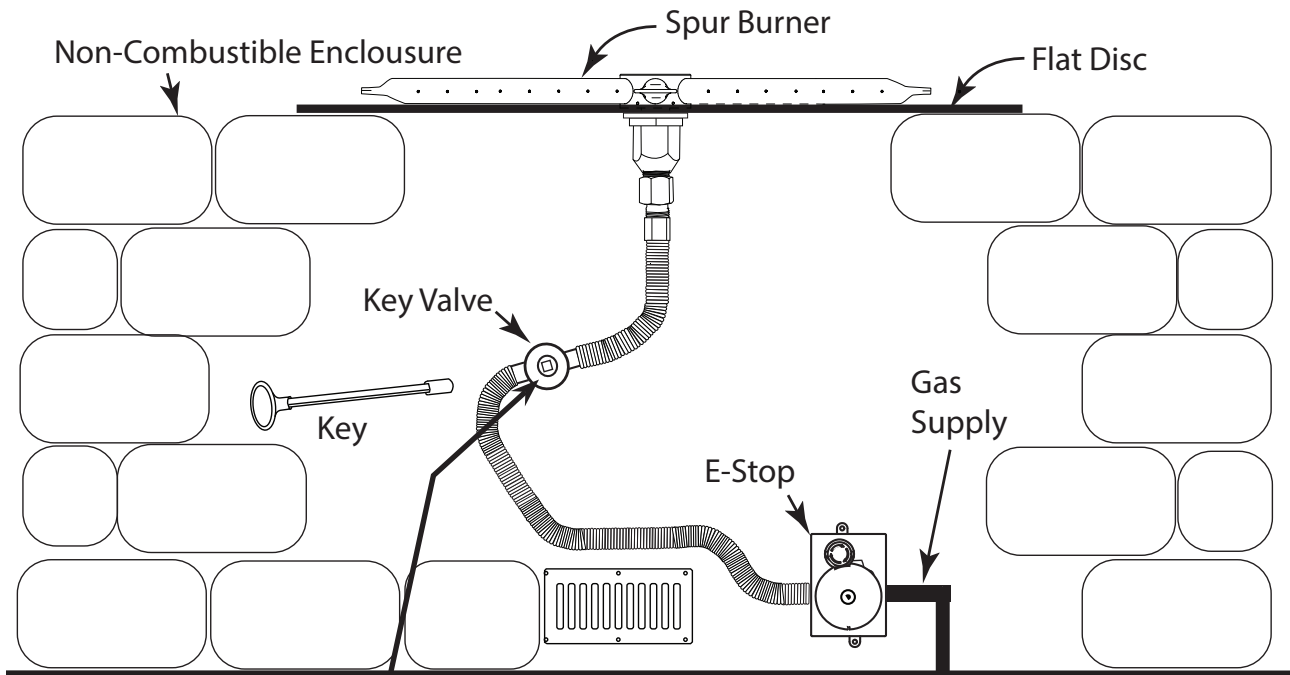


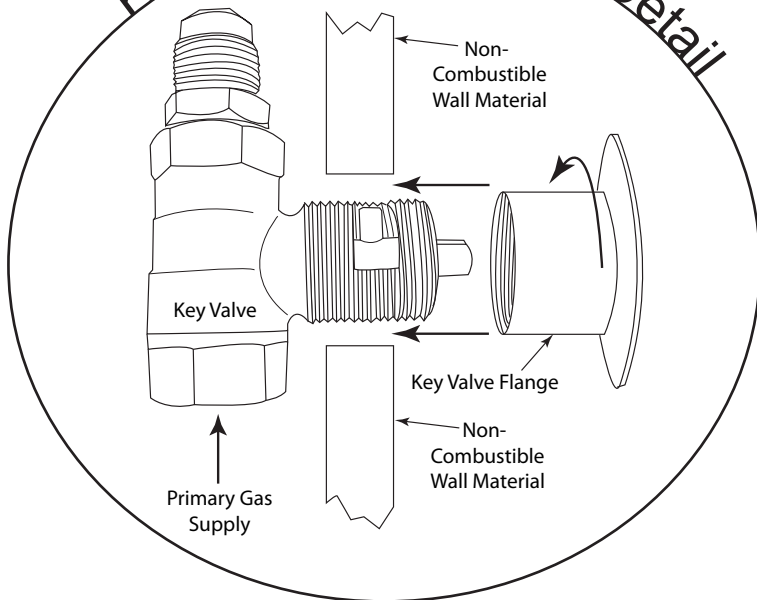
Fig. 9 Key valve components.



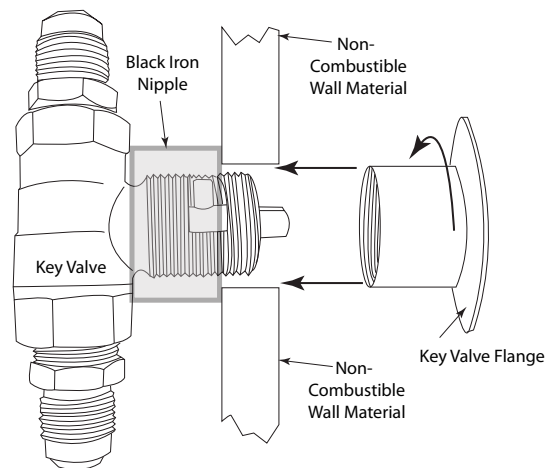


Key valve and flexible gas line are supplied; gas shut-off is not, but available in accessories page. Flex lines with flared fittings do not require Teflon tape or pipe compound. Ensure not to "kink" the flex lines to allow better gas flow of gas. The illustration above is only a guide for the gas connection. Local codes may require different methods to connect the gas supply.

### Key Valve Side View Detail

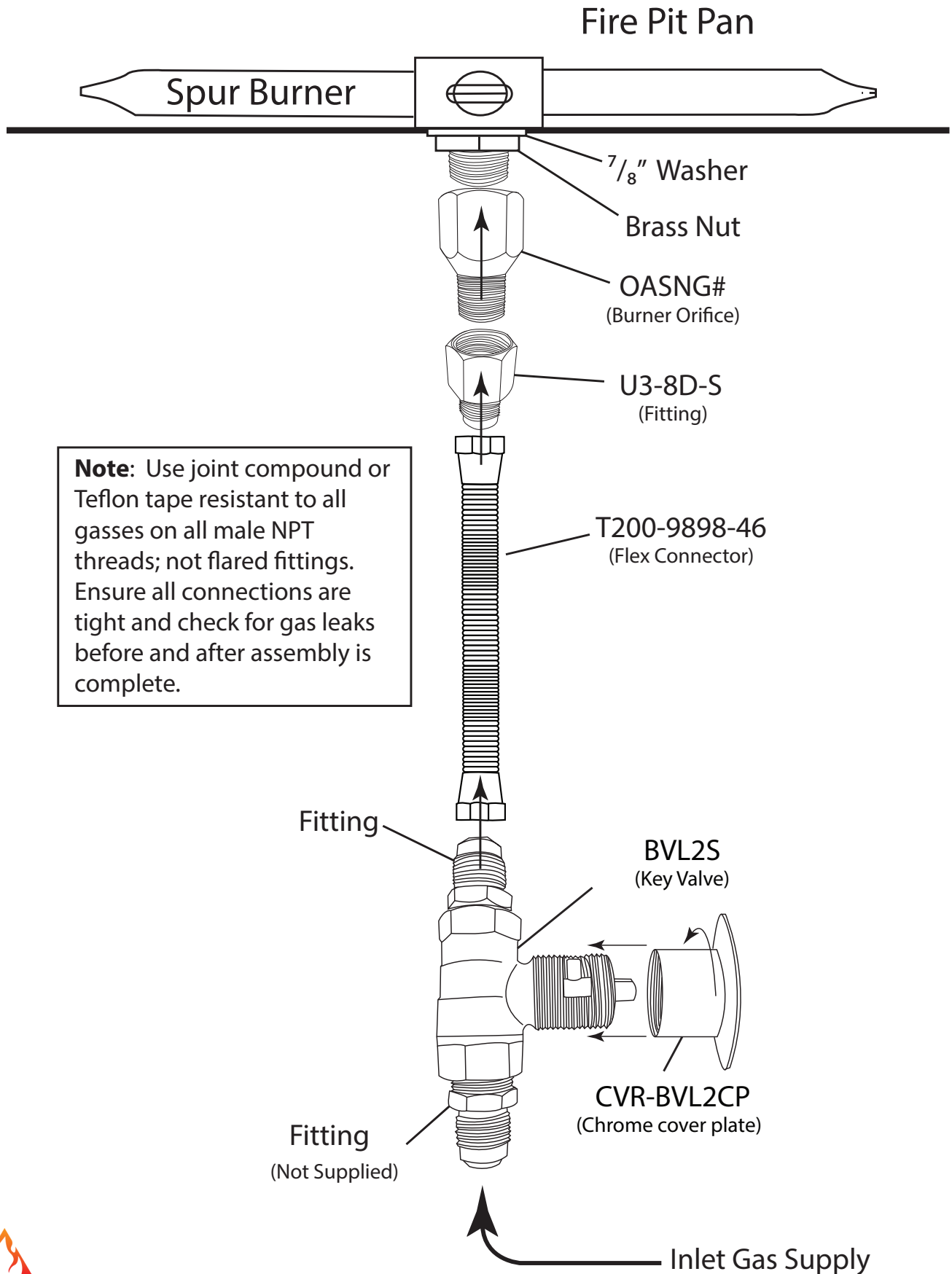


**Note:** A 1 1/4" x 2" black iron or galvanized coupler/nipple (not supplied) can be used as a spacer between the manual valve and the valve flange to add additional support to hold the manual key valve in place.



**Fig. 10** Typical installations.

# Expanded View of Match Throw (MT) Fire Pits



## OPERATION

**CAUTION:** Children and adults should be alerted to the hazards on high surface temperatures and should stay away to avoid burns or clothing ignition. Young children should be carefully supervised when they are in the area of the appliance.

**WARNING:** Do not use this appliance if any part has been under water. Immediately call a qualified service technician to inspect the appliance and to replace any part of control system and any gas control, which has been under water.

### SAFETY WARNINGS

1. Never leave the fire pit unattended during operation.
2. Clothing or other flammable materials should not be placed on or near the appliance.
3. Any guard or other protective device removed for servicing the appliance must be replaced prior to operating the appliance.
4. Installation and repair should be done by a qualified service person. The appliance should be inspected before use and at least annually by a qualified service person. More frequent cleaning may be required as necessary. It is imperative the control compartment, burners and circulating air passageways of the appliance be kept clean.
5. Inspect the fuel supply connection before each use of the appliance.
6. Temporary storage of this appliance indoors is permissible only if it has been disconnected from its fuel supply (Natural or L.P. gas line).

### WARNING

1. This appliance is hot when operated and can cause severe burns if contacted.
2. Do not burn any solid fuels in this appliance.

## LIGHTING INSTRUCTIONS

### READ ALL WARNING AND SAFETY INFORMATION ABOVE BEFORE ATTEMPTING TO LIGHT FIRE PIT

**CAUTION:** Ensure you have leak tested the fire pit before operating.

#### TURNING ON FIRE PIT

1. Insert key into shut-off valve and secure into square end (see Figs 11 & 12).
2. Light a long match or butane lighter and hold it near the burner (see Fig. 13).
3. Turn the key counter-clockwise in gas valve (until it stops) to allow gas to flow and simultaneously apply the long burning match or Butane lighter as close to the end burner as possible to light the fire pit.
4. Gas should ignite within 10 seconds or less. If fire pit does not light within 10 seconds turn key clockwise to turn **OFF** the gas supply. Ensure there is not too much media on top of the burner that might inhibit gas flow and try again in 5 minutes.

#### TURNING OFF FIRE PIT

1. Insert key into shut-off valve and secure into square end.
2. Turn key clockwise until it stops.
3. After cooling off install cover.

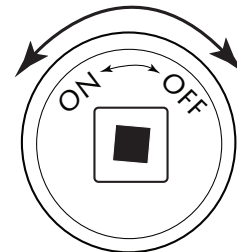


Fig. 11. Key Valve Face

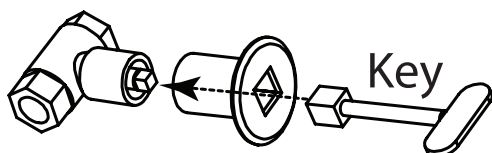


Fig. 12 Inserting Key into Valve

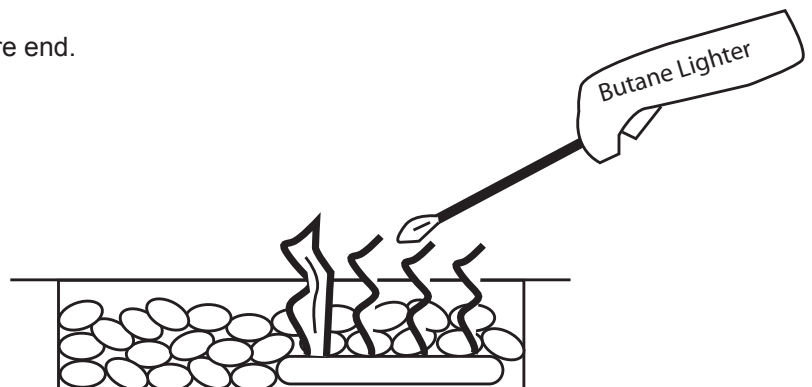
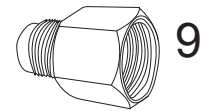
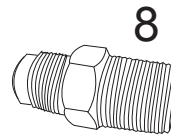
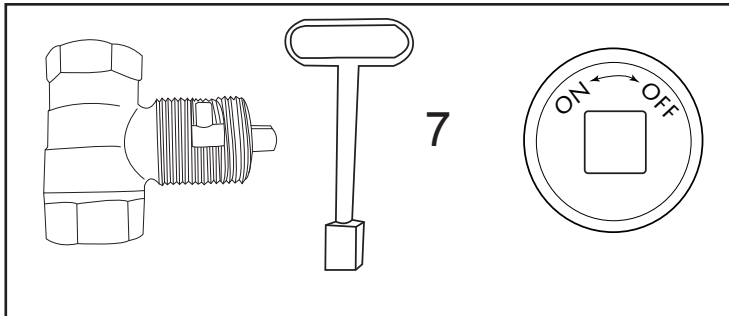
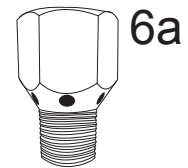
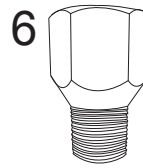
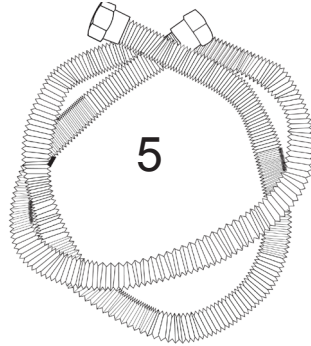
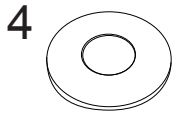
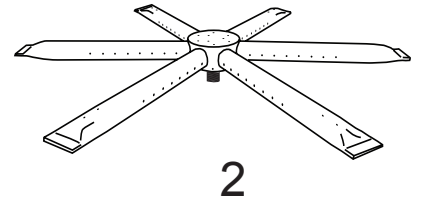
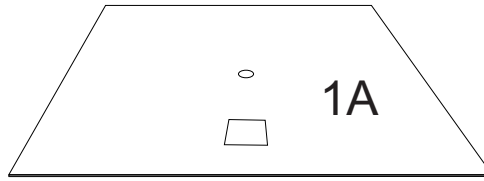
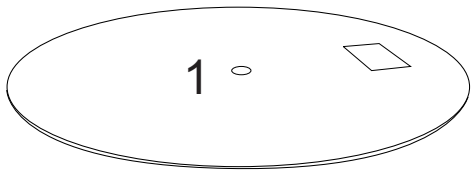
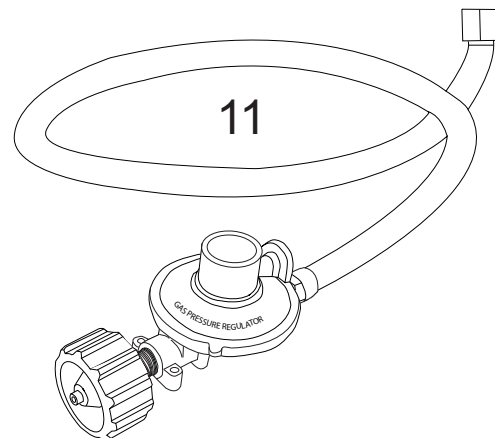
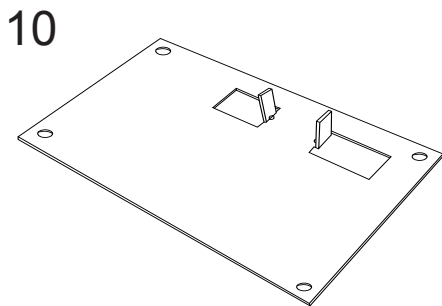


Fig. 13 Lighting fire pit with lighter

# FLAT DISC REPLACEMENT PARTS



Drawings are not to scale



## FLAT DISC REPLACEMENT LIST

| Item | Description  | Qty. | Part Number   |
|------|--|------|---------------|
| 1    | 26-inch Round Flat Stainless Steel Pan                         | 1    | PAN-SS26D     |
| 1    | 29-inch Round Flat Stainless Steel Pan                         | 1    | PAN-SS29D     |
| 1    | 34-inch Round Flat Stainless Steel Pan                         | 1    | PAN-SS34D     |
| 1    | 39-inch Round Flat Stainless Steel Pan                         | 1    | PAN-SS39D     |
| 1    | 44-inch Round Flat Stainless Steel Pan                         | 1    | PAN-SS44D     |
| 1A   | 25-inch Square Flat Stainless Steel Pan                        | 1    | PAN-SS25S     |
| 1A   | 30-inch Square Flat Stainless Steel Pan                        | 1    | PAN-SS30S     |
| 1A   | 34-inch Square Flat Stainless Steel Pan                        | 1    | PAN-SS34S     |
| 1A   | 40-inch Square Flat Stainless Steel Pan                        | 1    | PAN-SS40S     |
| 1A   | 46-inch Square Flat Stainless Steel Pan                        | 1    | PAN-SS46S     |
| 2    | 22-inch Spur (Used on 25, 26, 29, 30-inch pans)                | 1    | B-SPUR22      |
| 2    | 31-inch Spur (used on 34-inch pans)                            | 1    | B-SPUR31      |
| 2    | 36-inch Spur (used on 39, 40, 44, 46-inch pans)                | 1    | B-SPUR36      |
| 3    | ½" NPS Brass Mounting Nut                                      | 1    | 105-8         |
| 4    | ⅞" Flat Washer/Spacer  | 1    | ST3-113-1026  |
| 5    | ½" Flex Gas Line (46-inch length)                              | 1    | T-200-9898-46 |
| 6    | Natural Gas Orifice Air Shutter (25", 26", 29", 30" NG models) | 1    | OAS-NG16      |
| 6a   | Propane Gas Orifice Air Shutter (25", 26", 29", 30" LP models) | 1    | OAS-LP31      |
| 6    | Orifice Air Shutter NG (34" NG models with 31" Spur)           | 1    | OAS-NG05      |
| 6a   | Propane Gas Orifice Air Shutter (34" LP models)                | 1    | OAS-LP26      |
| 6    | Natural Gas Orifice Air Shutter (39", 40", 44", 46" NG models) | 1    | OAS-NG25/64   |
| 6a   | Propane Gas Orifice Air Shutter (39", 40", 44", 46" LP models) | 1    | OAS-LP12      |
| 7    | Key Valve  | 1    | BVL2S         |
| 7    | Chrome Plated Key  | 1    | KEY-PC-12     |
| 7    | Chrome Cover Plate   | 1    | CVR-BVL2CP    |
| 8    | ½" NPT to ½" Male Flare Fitting                                | 1    | U1-8D-S       |
| 9    | ½" NPT Female to Male Flare Fitting                            | 1    | U3-8D-S       |
| 10   | 5½" x 3" TMSI cover plate                                      | 1    | PLATE-MT      |
| 11   | ** LP Regulator with 32" Hose (Not for use with any NG models) | 1    | FG-32LPHRK    |

\*\* This is a required accessory when converting to LP gas.

## FIRE PIT MAINTENANCE

1. The fire pit should be inspected and cleaned before initial use at least annually by a qualified field service person.
2. Any component that is found faulty must be replaced with an approved component.
3. Any tampering or modifying with the fire pit is dangerous and voids all warranties.
4. During winter months in cold climates and various seasons operation the fire pit may be affected by weather conditions. It is recommended to use a lid of your fire pit to protect it from humid/rainy weather conditions when not in use (See Media CAUTION on page 3). Heavy rains/downpours could affect the fire pit operation if not covered; if this occurs ensure you allow the fire pit time to dry out before attempting to operate. **NOTE:** If a combustible type cover is used over the fire pit when not in use be sure to remove it before operation to prevent a severe safety hazard.
5. Carbon (soot) may build up on the surface of logs (if installed) during heavy use. Sooting may also occur periodically on the screen of the ignitor hood. To clean, brush off with a dry bristle brush or cloth. Keep soot away from clothing or furniture.
6. Over time stainless steel parts can discolor when heated, usually a golden or brown hue. This discoloration is normal and does not affect the performance of the appliance.



## CONVERTING TO LP GAS

| Conversion Kit | Common Parts                  | Btu Ratings          | LP Orifice |
|----------------|-------------------------------|----------------------|------------|
| OAS-LPK31      | #SS499-8, #113SS4-D5, U3-8D-S | 125,000<br>(36.63kW) | OAS-LP31   |
| OAS-LPK26      | #SS499-8, #113SS4-D5, U3-8D-S | 175,000<br>(51.28kW) | OAS-LP26   |
| OAS-LPK12      | #SS499-8, #113SS4-D5, U3-8D-S | 250,000<br>(73.26kW) | OAS-LP12   |

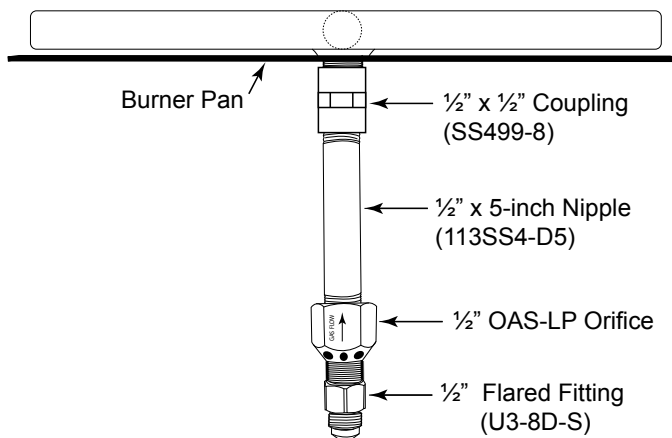
**Table 6** LP conversion chart

When converting Burners to LP gas the main burner orifice must be kept a minimum of 6-inches away from the burner connection (nipple) to prevent any back pressure at the LP orifice. See Fig. 14 below for details. **Note:** It is acceptable to install a 90° elbow, if necessary, to run the gas line the opposite direction (see Fig 15 or 16). A 90° elbow is not provided with the kit.

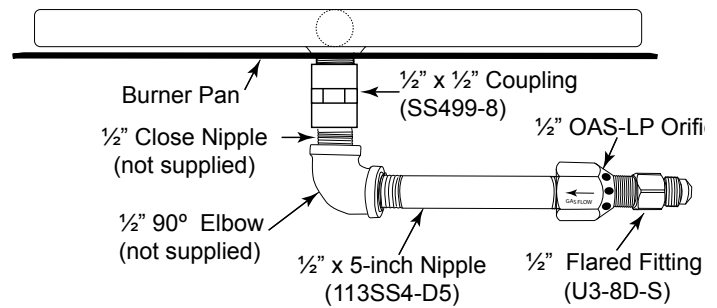


All NPT pipe threads must be sealed with approved gas Teflon tape or pipe compound. Check for any gas leaks before presuming normal operation after conversion is complete.

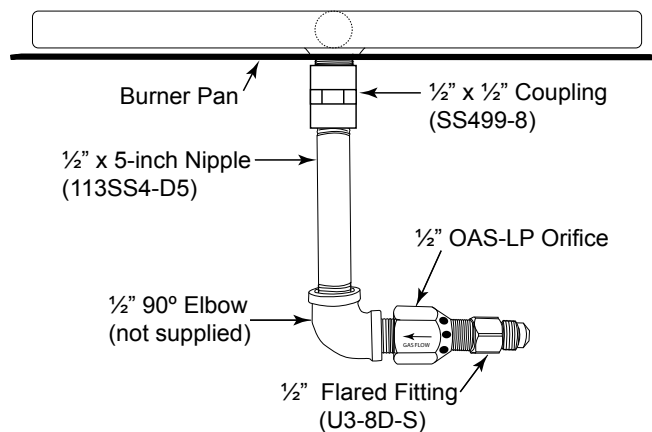
**CAUTION:** Ensure there is ventilation under the burner to provide fresh air for air shutter/orifice.



**Fig. 14** LP conversion illustration.



**Fig. 16** Optional LP conversion illustration shows a 90° elbow and close nipple (not supplied).






**Fig. 15** Optional LP conversion illustration shows a 90° elbow (not supplied).

## TROUBLE SHOOTING

| <b><u>Symptom</u></b> | <b><u>Remedy</u></b>   |
|-----------------------|--|
| Fire pit won't light  | <ol style="list-style-type: none"><li>1. Bleed gas line.</li><li>2. Ensure all gas supply lines are turned ON.</li><li>3. Ensure there is not too much media overtop of burner; it can inhibit gas from flowing.</li><li>4. Check gas pressure.</li></ol>  |
| Low flame             | <ol style="list-style-type: none"><li>1. Ensure the base media is at least 1 to 2-inches in diameter and top media is no more than 1-inch over top of burner.</li><li>2. Ensure all shut-off valves and key valve is fully open. See page 9; Fig 10.</li><li>3. Check for spider webs inside the main burner orifice.</li><li>4. Check gas pressure.</li></ol>   |
| Water in my fire pit  | <ol style="list-style-type: none"><li>1. Excess dust/sand material from media may be blocking the weep holes to relieve water. Remove all media and unplug weep holes. Clean or install new media free of dust and dirt.</li><li>2. Ensure fire pit enclosure has proper drainage for water and proper ventilation to dry out.</li><li>3. Recommend to purchase a cover/lid to keep excessive water out of the fire pit.</li></ol> |
| Whistling Noises      | <ol style="list-style-type: none"><li>1. Check media to ensure it is not too tightly packed around the burner tube.</li><li>2. Ensure a non-whistling flex connector is being used.</li></ol>  |

## OPTIONAL ACCESSORIES

The following accessories are available from your local Firegear Outdoors dealer/distributor. Each accessory comes with a separate installation manual. Read each instruction thoroughly before installing.

|   |   |  |
|---|---|--|
|  <p>Lava Stones: 1" to 2" size (50lbs)<br/><b>Model:</b> FG-LS50 Bag</p>   | <p style="text-align: center;"><b>LP Conversion Kits</b><br/>See page 14 for available kits.</p> <p><b>Glass Media</b> sold in 10lb jugs. See Firegear Outdoors catalog for large reflective glass or broken glass color choices.</p>                           |  <p>Lava Rock: 1" to 2" size<br/><b>Model:</b> FG-LAVA-10 (10lb Bag)<br/>FG-LAVA-40 (1 Cubic Foot)</p>  |
| <p>Paver bracket, key valve and parts for MT system.<br/><b>Model:</b> PAVER-KIT-MT</p> <p>Paver bracket, key valve, battery Piezo ignition and parts.<br/><b>Model:</b> PAVER-KIT-MT-MSI</p> <p>(2) paver brackets, parts and (2) 4-inch vents. Provides 18 square inches of ventilation per side.<br/><b>Model:</b> PAVER-VENT-4-LNTS</p> | <p>(2) paver brackets, parts and (2) 6-inch vents. Provides 18 square inches of ventilation per side.<br/><b>Model:</b> PAVER-VENT-6-LNTS</p> <p>(2) 6" x 12" vents and screws. Provides 18 square inches of ventilation.<br/><b>Model:</b> VENT-KIT-6X12SS</p> |  <p style="text-align: center;"><b>FLEXFRAME</b></p> <p>Universal brackets to support fire pit disc when using paver blocks or other non-combustible enclosures.</p> <p><b>Model:</b> FLEXFRAME-SS (2pc)<br/>FLEXFRAME-SS3 (3pc)<br/>FLEXFRAME-PRO3 (3pc)</p> |

**Note:** Media such as Glass, Lava Rock or Lava Stoves are not supplied but required as described in page 7.

**FOR TECHNICAL SERVICE, CALL: (800) 966-8126**

Firegear Outdoors  
17322 Gothard St  
Huntington Beach, CA 92647  
Web Site: [www.firegearoutdoors.com](http://www.firegearoutdoors.com)

*Manual changes often occur, ensure to check the Firegear Outdoor website for any recent updates and warranty information.*





## FIREGEAR LIMITED WARRANTY - 2021

Firegear Outdoors hereby warrants to the end user that products will be free from material and workmanship defects that prevent safe and correct operation of the product. The warranty commences from date of sale to the end user for the following period:

### CONSUMER RESIDENTIAL APPLICATIONS – MANUFACTURED AFTER 12/02/2019

#### BURNER SYSTEMS, BURNERS, COMPONENTS AND ACCESSORIES

- LIFETIME WARRANTY ON CONSTRUCTION AND MANUFACTURER DEFECTS
- LIFETIME WARRANTY - STAINLESS STEEL BURNERS AND PANS
- LIFETIME WARRANTY - BRASS BURNERS
- FIVE (5) YEAR WARRANTY - GAS VALVE, SPARK IGNITER, PILOT ASSEMBLIES
- FIVE (5) YEAR WARRANTY - AWS ELECTRONIC IGNITION SYSTEMS (24VAC, 30 VDC)
- FIVE (5) YEAR WARRANTY - TFS/TMSI ELECTRONIC COMPONENTS
- FIVE (5) YEAR WARRANTY – MT COMPONENTS (KEY VALVE)
- FIVE (5) YEAR WARRANTY - REFRACTORY GAS LOG SETS
- FIVE (5) YEAR WARRANTY - READY TO FINISH/ANF FIRE PIT ENCLOSURES
- FIVE (5) YEAR WARRANTY – SKYTECH MANUFACTURED OPTIONAL CONTROLS

#### OUTDOOR FIREPLACE – KALEA BAY

- LIFETIME WARRANTY - CONSTRUCTION AND MANUFACTURER DEFECTS
- LIFETIME WARRANTY - STAINLESS STEEL COMPONENTS
- FIVE (5) YEAR WARRANTY - GAS VALVE, PILOT ASSEMBLY, POWER SUPPLY, CONTROLS
- FIVE (5) YEAR WARRANTY – SKYTECH MANUFACTURED OPTIONAL CONTROLS

#### SANCTUARY SERIES – GFRC FIRE FEATURES

- THREE (3) YEAR WARRANTY - GFRC STRUCTURE
- REFER TO THE APPROPRIATE BURNER SYSTEM FOR WARRANTY

WARRANTY COVERS MANUFACTURING DEFECTS OR STRUCTURAL FAILURE. SMALL STRESS CRACKS AND SURFACE CRAZING ARE A NATURAL OCCURRENCE IN GFRC PRODUCTS AND NOT COVERED BY WARRANTY.

#### READY TO FINISH/ANF ENCLOSURES

- FRAME – LIFETIME WARRANTY ON CONSTRUCTION AND MANUFACTURER DEFECTS

#### ACCESSORIES

- LIFETIME WARRANTY - CONSTRUCTION AND MANUFACTURER DEFECTS
- LIFETIME WARRANTY - STAINLESS STEEL COMPONENTS (LIDS, STAINLESS STEEL COVERS)
- ONE (1) YEAR WARRANTY – ESTOP1-OH, ESTOP2-5H WINDSHIELDS, HOSES AND REGULATORS



## COMMERCIAL APPLICATIONS – MANUFACTURED AFTER 12/02/2019

### BURNER SYSTEMS, BURNERS, COMPONENTS AND ACCESSORIES

- TWO (2) YEAR WARRANTY ON CONSTRUCTION AND MANUFACTURER DEFECTS
- TWO (2) YEAR WARRANTY - STAINLESS STEEL BURNERS AND PANS
- TWO (2) YEAR WARRANTY - BRASS BURNERS
- TWO (2) YEAR WARRANTY - GAS VALVE, SPARK IGNITER, PILOT ASSEMBLIES
- TWO (2) YEAR WARRANTY - AWS ELECONITC IGNITION SYSTEMS (24VAC, 30 VDC)
- TWO (2) YEAR WARRANTY – MT COMPONENTS (KEY VALVE)
- TWO (2) YEAR WARRANTY - REFRACTORY GAS LOG SETS
- FIVE (5) YEAR WARRANTY - READY TO FINISH/ANF FIRE PIT ENCLOSURES
- TWO (2) YEAR WARRANTY – SKYTECH MANUACFTURED OPTIONAL CONTROLS

### OUTDOOR FIREPLACE – KALEA BAY

- LIFETIME WARRANTY - CONSTRUCTION AND MANUFACTURER DEFECTS
- LIFETIME WARRANTY - STAINLESS STEEL COMPONENTS
- TWO (2) YEAR WARRANTY - GAS VALVE, PILOT ASSEMBLY, POWER SUPPLY, CONTROLS
- TWO (2) YEAR WARRANTY – SKYTECH MANUACFTURED OPTIONAL CONTROLS

### SANCTUARY SERIES – GFRC FIRE FEATURES

- THREE (3) YEAR WARRANTY - GFRC STRUCTURE
- REFER TO THE APPROPRIATE BURNER SYSTEM FOR WARRANTY

WARRANTY COVERS MANUFACTURING DEFECTS OR STRUCTURAL FAILURE. SMALL STRESS CRACKS AND SURFACE CRAZING ARE A NATURAL OCCURRENCE IN GFRC PRODUCTS AND NOT COVERED BY WARRANTY.

### READY TO FINISH/ANF ENCLOSURES

- FRAME – LIFETIME WARRANTY ON CONSTRUCTION AND MANUFACTURER DEFECTS

### ACCESSORIES

- LIFETIME WARRANTY - CONSTRUCTION AND MANUFACTURER DEFECTS
- LIFETIME WARRANTY - STAINLESS STEEL COMPONENTS (LIDS, STAINLESS STEEL COVERS)
- ONE (1) YEAR WARRANTY – ESTOP1-OH, ESTOP2-5H WINDSHIELDS, HOSES AND REGULATORS

The end-user must provide a bill of sale, canceled check, or payment record to verify the purchase date and to establish the warranty period. This Limited Warranty shall be valid and limited to the original purchaser only.

**WARNING** Any modification to the product will void the warranty.

This Limited Warranty shall be limited to the repair and/or replacement of parts that have been proven to be defective under normal use and service. All warranty claims must be made by the OEM/Distributor/Dealer account on behalf of the end-user. You may contact Technical Support at 800-966-8126.

Our Technical Service Department must confirm all approved defects. If a defect is confirmed and we approve the claim, we will replace such parts without charge. This warranty gives you specific legal rights, and you may also have other rights, which vary from state to state.

The manufacturer may request defective products returned with an RMA (Return Merchandise Authorization) issued by Firegear Outdoors for specific products, which is considered to be the nature of the defect and or warranty claim. Product to be returned should; be packed so as not to incur damages during transportation. Firegear is not responsible for damages on returned items. RMA is valid for thirty (30) days from the date issued. The RMA must be clearly marked on the outside of the package.

Please check with your local building code department or governing agency for proper approvals before purchasing. Firegear Outdoors is not responsible for any violation of local codes.

Travel, diagnostic cost, service labor to repair the defect on warranty parts to and from the factory will be the responsibility of the owner. We will not be responsible for labor charges and/or damage incurred in installation, repair, and replacement. Firegear is not responsible for Issues related to gas or electrical installation.

The Limited Warranty is voided if not assembled, installed, and operated as intended. This Limited Warranty does not cover any defects due to accident, abuse, misuse, alteration, misapplication, vandalism, improper installation or improper maintenance or service, removal from the original location, or re-installation into another location, or failure to perform normal and routine maintenance.

Damage due to severe weather conditions such as hail, hurricanes, earthquakes, tornadoes, discoloration due to overheating, exposure to chemicals (including chlorine and salt), either directly or in the atmosphere, or very high humidity, is not covered by this Limited Warranty. Coastal, humid and/or salt environments are subject to manufacturer review. All out-of-box claims must be made within 30 days of purchase and must be made prior to installation. Any product installed damaged will be considered damaged during installation and not covered under warranty.

There are no other express warranties except as set forth herein. For consumer applications, any applicable implied warranties of merchantability and fitness are limited in duration to the period of coverage of this Limited Warranty. Some states do not allow limitation on how long an implied warranty lasts, so this limitation may not apply to you.

For Commercial Applications, the liability of Firegear Outdoors is limited to the express terms of this warranty. We expressly disclaim any and all implied warranties, including any warranties of fitness for a particular purpose or merchantability.



We are not liable for any special, indirect or consequential damages. Our maximum liability is limited to the purchase price of the purchased units. Some states do not allow the exclusion or limitation of incidental or consequential damages, so this limitation or exclusion may not apply to you.

We do not authorize any person or company to assume for it any other obligation or liability in connection with the sale, installation, use, removal, return, or replacement of its equipment, and or such representation are binding.

Firegear Outdoors  
17322 Gothard Street, Huntington Beach, CA 92647  
[www.firegearoutdoors.com](http://www.firegearoutdoors.com)  
Phone: 800-966-8126  
Email: [order@firegearoutdoors.com](mailto:order@firegearoutdoors.com)





Having problems getting the fire pit to operate? Don't leave the job site! We want to help! Call 800.966.8126 for Technical Support between the hours of 8:00AM to 5:00PM PST.

**BEFORE YOU CALL WE WILL NEED THIS INFORMATION**

1. Model Number: \_\_\_\_\_
2. Serial Number: \_\_\_\_\_
3. How long is the gas line run? Nat Gas \_\_\_\_\_ LP Gas \_\_\_\_\_
4. What size is gas line? \_\_\_\_\_
5. Inlet Gas Pressure: \_\_\_\_\_ WC  
Manifold Gas Pressure: \_\_\_\_\_ WC
6. What type of media are you using? \_\_\_\_\_
7. Review the troubleshooting section in the installation manual.
8. What are the symptoms? Please be prepared to explain.
9. Be prepared to send photos to us when on the phone.
10. Found missing or damaged parts? Let us know ASAP or send photos.