

## **INSTALLATION INSTRUCTIONS FOR THORNTON DOOR ZERO-CLEARANCE OR MASONRY APPLICATION**

**TO PREVENT FIRE HAZARD, IT IS EXTREMELY IMPORTANT THAT FRAME IS CORRECTLY INSTALLED!  
PLEASE READ AND UNDERSTAND THESE DIRECTIONS BEFORE YOU BEGIN.**

**TOOLS NEEDED:** A #2 Phillips Screwdriver and an Electric Drill.

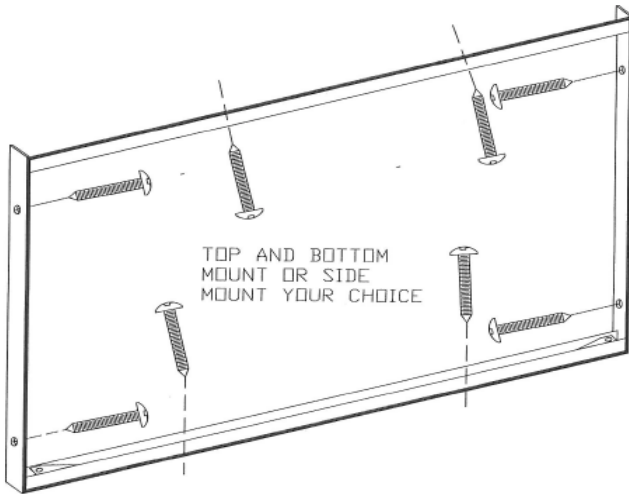
**HARDWARE INCLUDES:** Four (4) Self-tapping Screws.

### **Zero-Clearance Application Installation - Figure 1:**

1) Locate the bottom of the door frame. This can be accomplished by locating the Center Wedge Clip located inside the track in the center of the door frame. This indicates the bottom of a CV-2 enclosure. Two bullet catches in the track indicate the top of an FS-2 or CV-1 enclosure. It is important that the frame be installed with the correct side up to insure smooth operation of the doors.

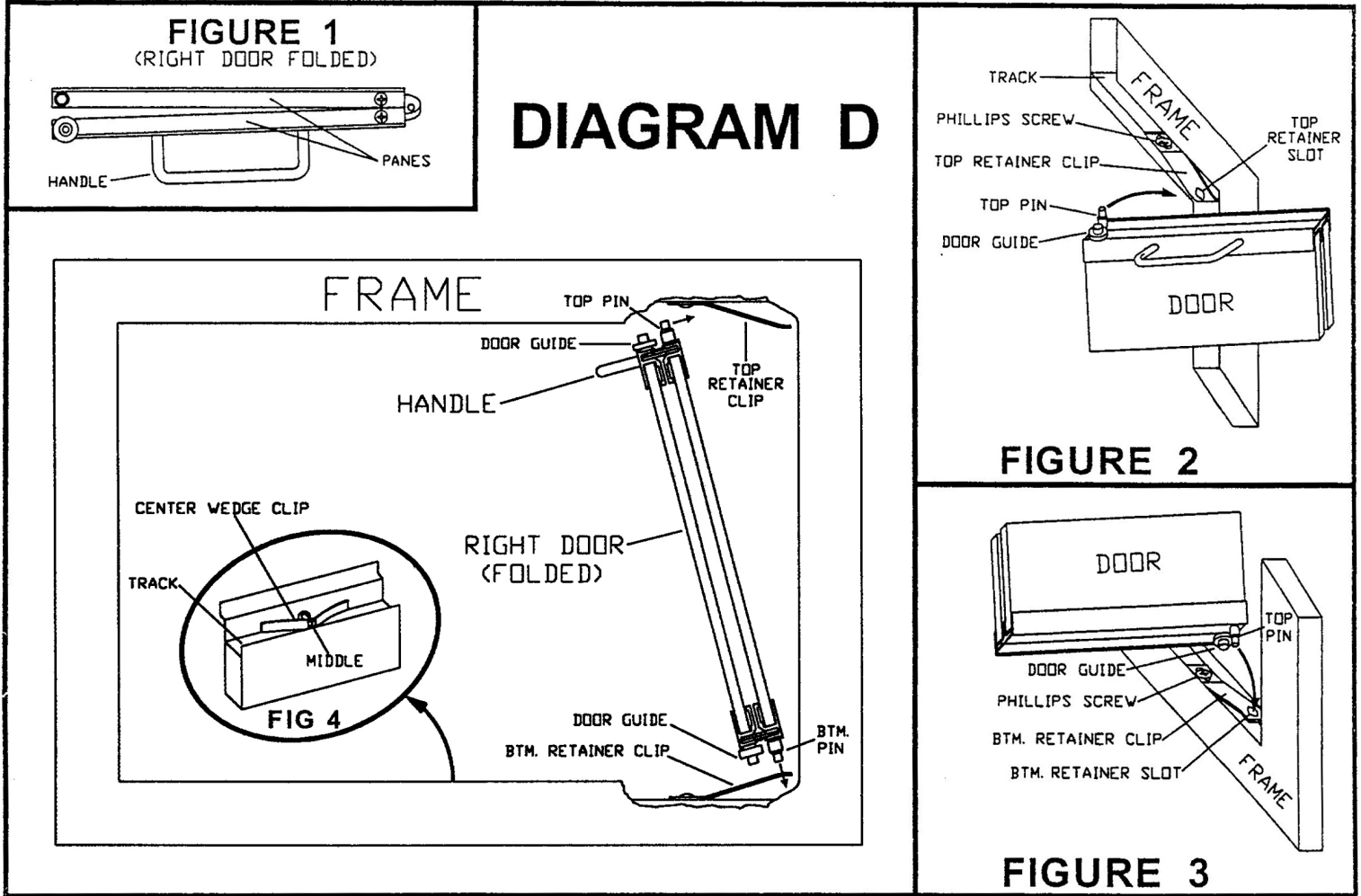
2) Position the frame in the fireplace centering left and right. Mark the fireplace at each hole. Remove the frame from the fireplace and drill a pilot hole 7/64" diameter at each of the four marks. Re-position the frame into the fireplace centering left and right. Insert each self-tapping screw through the frame and screw into the fireplace using a #2 Phillips screwdriver. *Carefully snug all screws up to the frame making sure you do not over tighten! The enclosure may be centered by loosening one side and tightening the other.*

### **Zero-Clearance Fireplace Application – Figure 1:**



# CV2 DOOR INSTALLATION, ADJUSTMENT AND REMOVAL

**NOTE:** There are three types of doors ; the ClearView Bifold CV2, the ClearView Bifold Full Swing FS2, and the ClearView Twin Full Swing CV1. The CV2 and FS2 have two glass panes in each door, and the CV1 has one. The CV2 opens and closes by gliding within a track. The FS2 and CV1 are Full Swing and can be opened out away from the fireplace. Refer to the instructions on this page for CV2 doors. Refer to instructions on separate sheet for FS2 and CV1.



**CV2 DOOR INSTALLATION:** Fold panes of right door back to back with handle up as shown in Figure 1. Tilt door so that it fits inside frame as shown in Diagram D. Next, insert Bottom Pin into Bottom Retainer Slot as shown in Figure 3. Then tilt top of door toward vertical position making sure that all Pins and Door Guides are inside Track. Finally, slide Top Pin along Top Retainer Clip until Top Pin snaps into Top Retainer Slot, see Figure 2. Repeat procedure for left door.

**CV2 DOOR ADJUSTMENT:** The doors can be adjusted by changing the location of the door inside the frame. The door may need adjustment for several reasons. One would be that the doors do not fully close because they hit in the center of frame. Another would be that there is a noticeable gap in the center between the closed doors. If doors appear to close in correct position but do not latch (both doors do not stay closed), then there is a misalignment between the doors and the Center Wedge Clip. The Center Wedge Clip is located in the center of the bottom Track, see Figure 4. In order to stay closed, the left and right doors must meet in the Middle of the Center Wedge Clip.

To adjust doors, first loosen, but do NOT remove the Phillips Screw that holds the Retainer Clip to the frame, See Figure 2 and 3. Move door to desired position then tighten screw. Repeat procedure for other Retainer Clips as needed. Operate doors to check alignment and repeat procedure if necessary.

**CV2 DOOR REMOVAL:** Open door all the way until glass panes are back to back. While pushing down on door, push up on Top Retainer Clip with finger to free Top Pin and rotate top of door toward center of frame, see Diagram D and Figure 2. Carefully remove door.