



Fireplace Doors Online

Fireplace Doors *Overlap & Inside Fit*

Installation & User Guide

Thank You!

Thank you for purchasing a FDO Fireplace Enclosure! We are confident this quality product will last you for years to come. If you need further help or additional information regarding installation, please reach out to us for assistance.

Parts and Tools

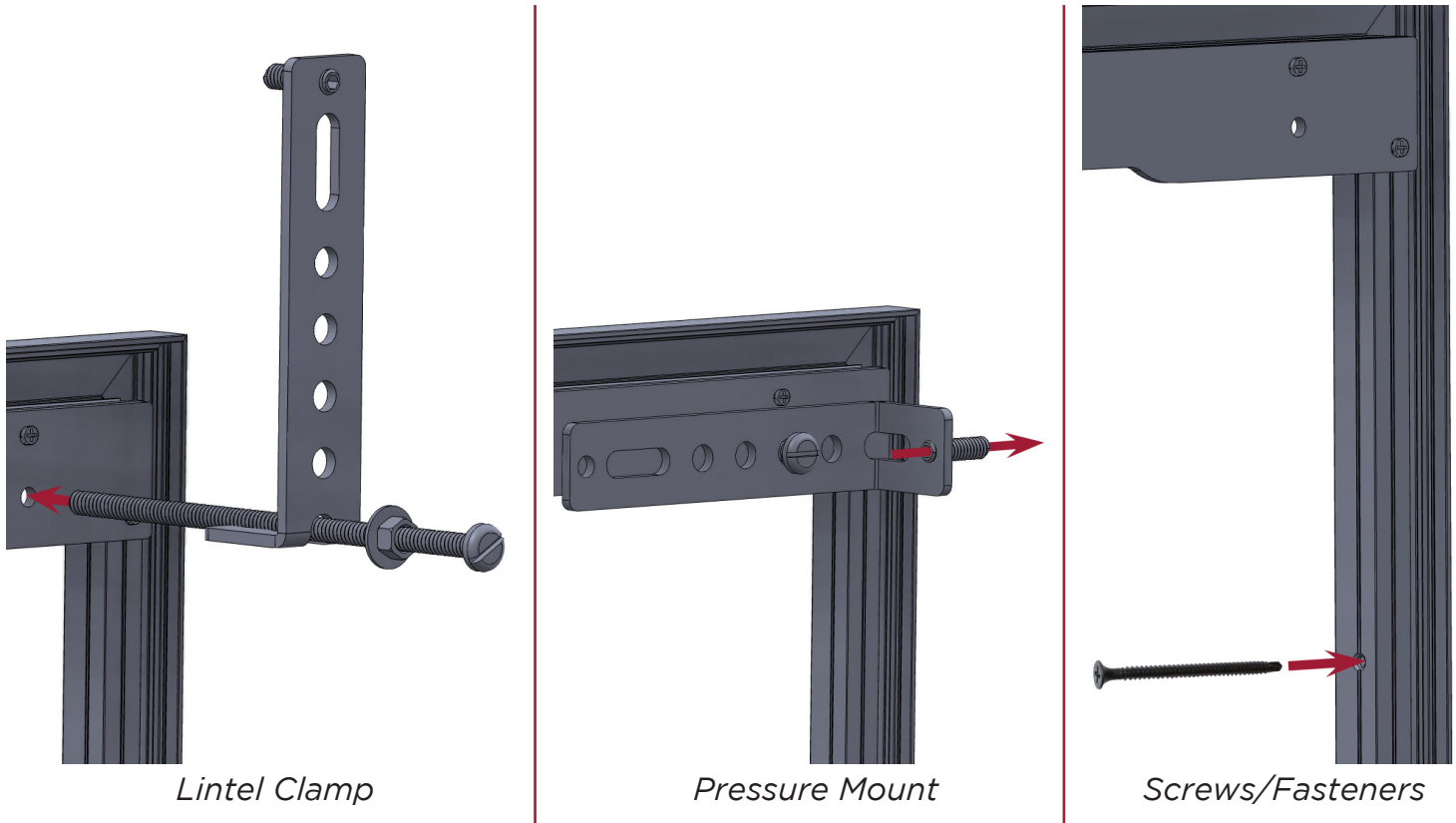
Parts and Tools		Qty
A.	Multipurpose Bracket	4
B.	Lintel Bolt	2
C.	Allen Wrench	1
D.	1/4" Flat Washer	2
E.	1/4" Adjustment Nut	2
F.	3/8" Mounting Bolt	4
G.	Set Screw	4
H.	2" Self-Tapping Screw	5

**Your installation kit may vary and not include all of the options shown depending on the selected mount type on your order.*



Installation Methods

Your installation kit contains hardware for multiple types of fireplaces and applications. See the descriptions below to see which type works best for your application.



Mount/Fireplace Types

Please see the list of mount types below and their location in this guide.

Screw/Fastener Installation: *ZC Inside Fit, (Page 4)*

Pressure Mount Installation: *Masonry & ZC, Overlap & Inside Fit (Page 5)*

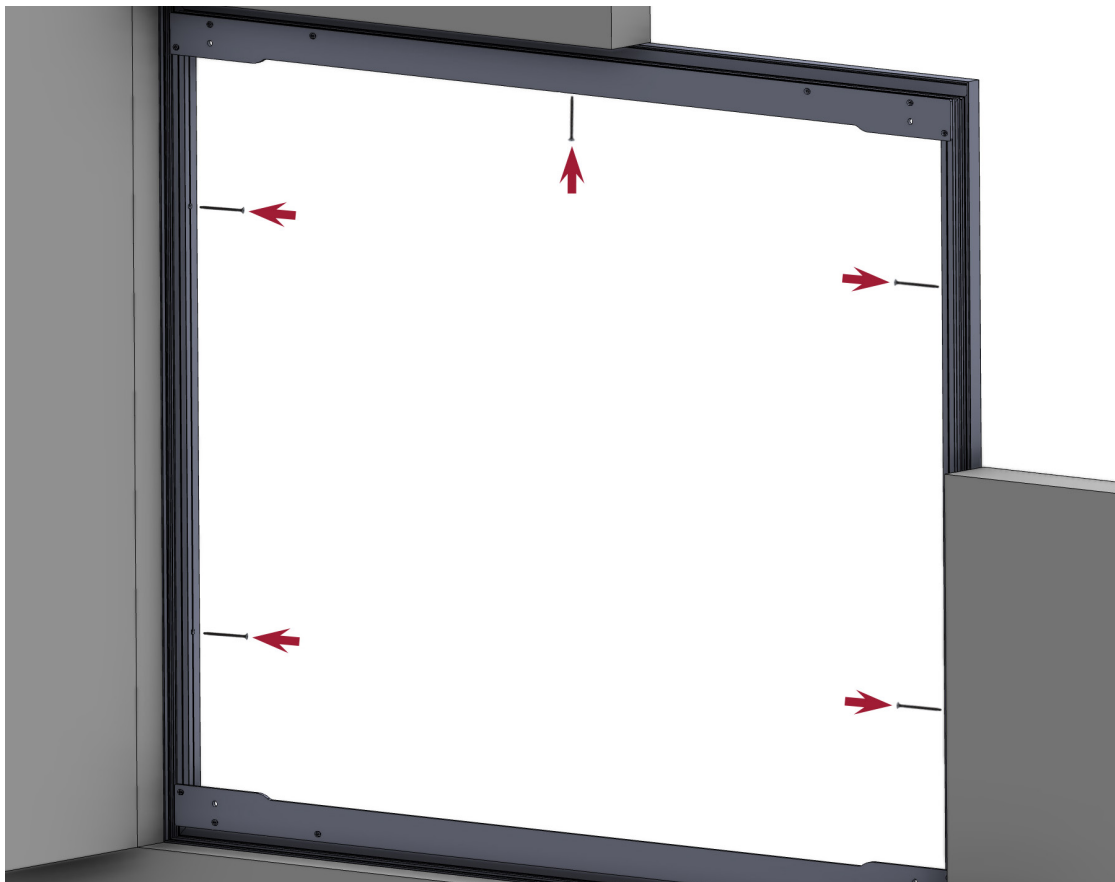
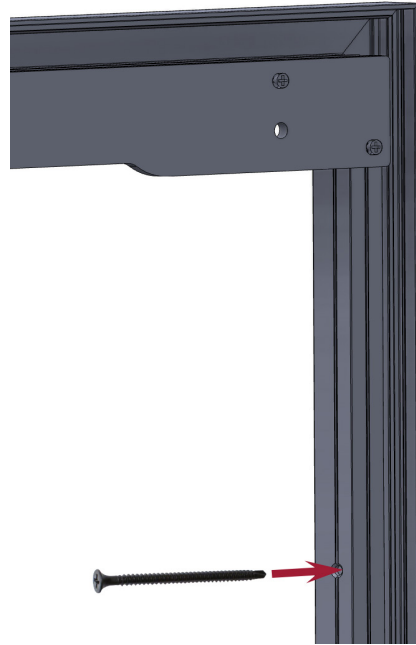
Lintel Clamp Installation: *Masonry Overlap Only (Pages 6-7)*

Mesh Installation

If your door includes Mesh Screen Doors, remove them from the enclosure before installation. To remove them, lift up on the hinge side of each door to allow the hinge pins to be removed from their mounting holes.

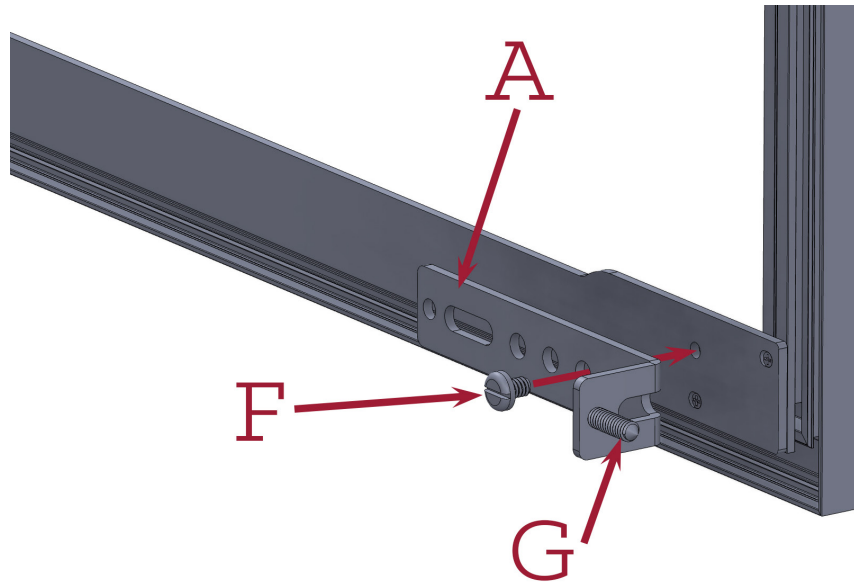
Screw/Fastener Installation

1. Center the Fireplace Enclosure frame in the fireplace opening.
2. Using the 2" Self-Tapping Screws (H) or the appropriate fasteners for your fireplace material, fasten the frame to the firebox through the pre-drilled holes on the inside of the frame. There are 5 pre-drilled locations, 2 on each side and one on top. Fasten the sides first, and ensure that the frame is still in square and the doors open and close correctly before fastening the top in place.
6. Re-install the Mesh Screen Doors (if applicable).



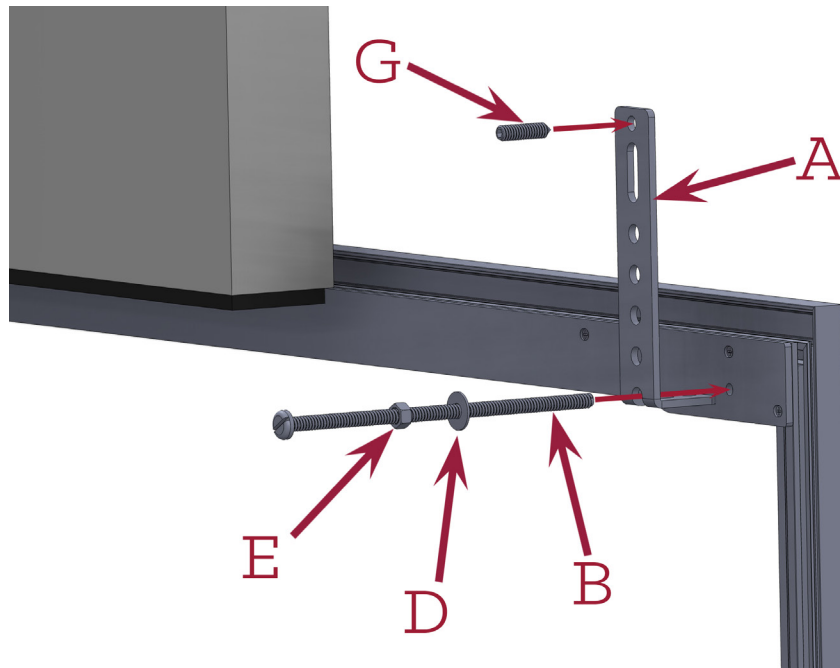
Pressure Mount Installation

1. Using the 1/2" Mounting Bolts (F), fasten two Multipurpose Brackets (A) to the threaded holes in the bottom flange of the frame. Choose the appropriate hole in the multipurpose bracket that allows the edge of the bracket to be as close as possible to firebox wall. Insert one Set Screw (G) into the threaded hole on each of the Brackets.
3. Center the Fireplace Enclosure frame in the fireplace opening.
4. Using the included Allen Wrench (C), tighten the Pressure Screws (G) against the sides of the fireplace opening, securing the frame in place.
5. Re-install the Mesh Screen Doors (if applicable).



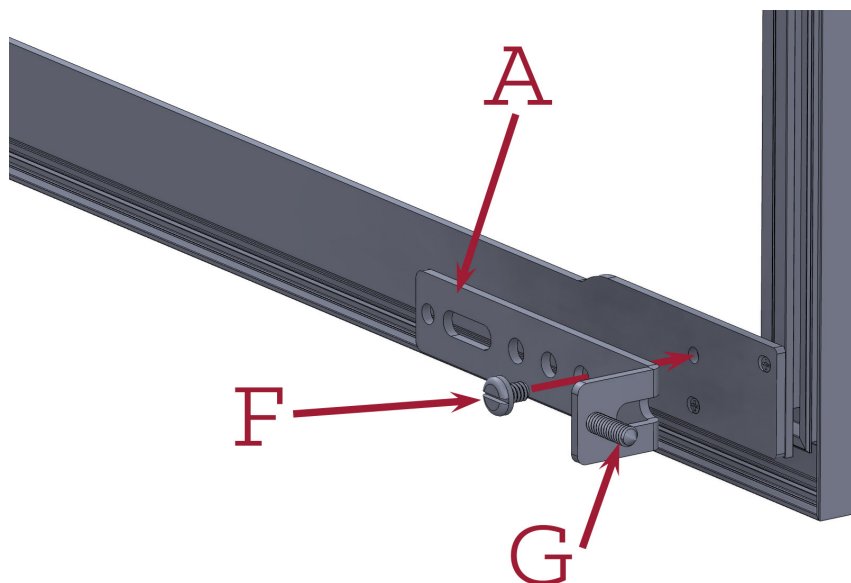
Lintel Clamp Installation

1. Assemble two Lintel Clamps by threading an adjustment nut (E), a flat washer (D), and a Multipurpose Bracket (A) onto a Lintel Bolt (B) in the order shown.
2. Attach the assembled Lintel Clamps to the threaded holes in the top flange of the frame.



Lintel Clamp Assembly

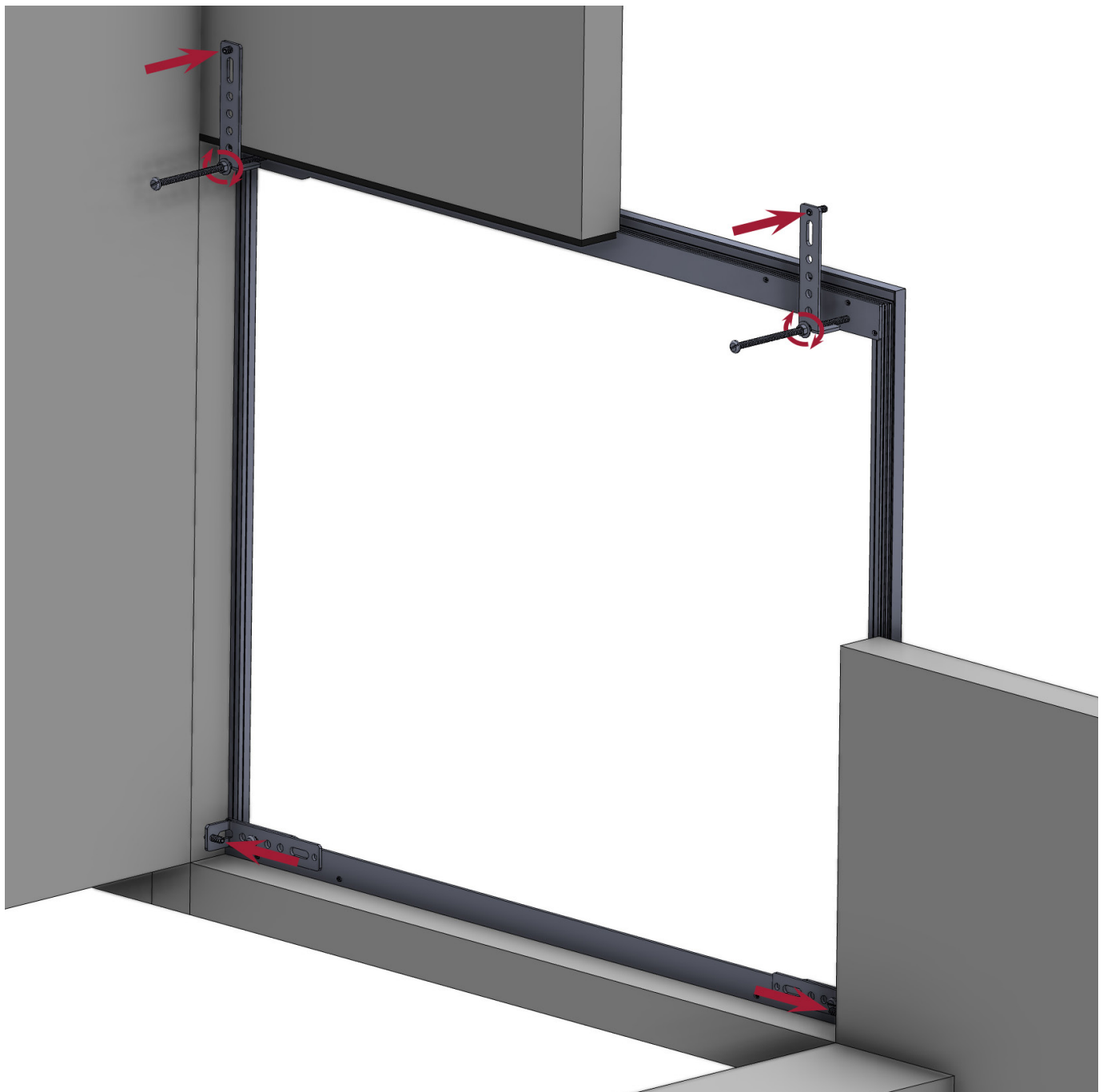
3. Using the 1/2" Mounting Bolts (F), fasten two Multipurpose Brackets (A) to the threaded holes in the bottom flange of the frame. Choose the appropriate hole in the multipurpose bracket that allows the edge of the bracket to be as close as possible to firebox wall. Insert one Set Screw (G) into the threaded hole on each of the Brackets.



"L" Bracket Assembly

Lintel Clamp continued..

4. Center the Fireplace Enclosure frame in the fireplace opening.
5. Insulation (L) is provided to help close rough openings and gaps if desired. Cut pieces of insulation to length and fit them into the top and both sides of the enclosure frame. If frame is also overlapping on bottom, add insulation as needed.
6. Turn the Lintel Clamps up toward the top of the fireplace to grip the fireplace lintel, and tighten the adjustment nuts (E), clamping the top of the frame in place. Adjust the set screws (G) as needed to help secure the bracket in place.
7. Using the included Allen Wrench (C), tighten the Pressure Screws (G) in the bottom Brackets against the side of the fireplace opening, securing the bottom of the frame in place.
8. Re-install the Mesh Screen Doors (if applicable).



Adjustments & Alignment

IMPORTANT: Check that the Doors in the enclosure are aligned properly.

- If the Doors do not close properly, or do not lay flat against the frame, the frame is most likely being torqued. Typically this means that the fireplace face is not perfectly flat, plumb, level, or that the opening is not perfectly square. Do not force the enclosure frame to conform to a fireplace that is not plumb or level.

NOTE: Failure to align the Fireplace Enclosure Glass Doors properly may result in glass breakage or other damage directly attributable to improper installation.

Operation & Maintenance

- Fireplace Doors Online fireplace doors are designed to be used with glass doors open when the fire is burning.
- Excessive heat can cause damage to the Fireplace Enclosure and/or loss of temper in glass resulting in glass breakage. A very hot wood or gas fire, hot coals, embers, ashes, and/or logs coming in contact with the back of the enclosure can cause discoloration or more serious damage to the enclosure finishes. This type of damage, caused by overheating, is considered abuse and is not covered under warranty.
- Your FDO door and door frame finish can be cleaned using a damp cloth, or mild house hold cleaner. To avoid damage to the finish, cleaners containing ammonia or other harsh chemicals should be avoided.

Warranty

Your Fireplace Doors are covered by a 3 year limited warranty.

WARNING

This product can expose you to chemicals including Carbon Black, which is known to the state of California to cause Cancer. For more information go to www.P65Warnings.ca.gov