

**ATTENTION:** Installer please leave these Instructions with the homeowner.

**High Efficient Wood Insert  
For Masonry Wood-burning Fireplaces  
Installation & Operating Instructions**

# Installation Instructions

PARTS INCLUDED FOR INSTALLATION:		OPTIONAL ACCESSORIES:
2 ea. Lintel Clamp Brackets	2 ea. 3/8-16 x 2" Leveling Bolts	Stainless Steel Grill
2 ea. 3/8-16 x 6" Lintel Clamp Bolts	1 ea. Roll of Insulation	Swinging Pot Holder
2 ea. 3/8-16 Lintel Clamp Nuts	1 ea. Owner's Manual	

**PLEASE NOTE:** Your CMC Wood Insert must be assembled and installed correctly.

Please read and follow all instructions carefully. Incorrect assembly or installation could result in a damaged CMC Wood Insert and/or a dangerous condition. Failure to heed these warnings could result in a fire and/or loss of life and property. If you do not feel confident that you are equipped to complete the assembly and the installation properly please contact Fireplace Doors Online.

**⚠ WARNING:** The CMC Wood Insert is not designed for installation into factory built "zero-clearance" (ZC) fireplaces, nor for installation into mobile homes, nor in conjunction with gas log sets.

**NOTICE:** Any fireplace used for the installation of a CMC Wood Insert must comply with NFPA 211, The Standard for Chimneys, Fireplaces, Vents and Solid Fuel-Burning Appliances.

**If you have questions:** Contact Fireplace Doors Online before proceeding with installation.

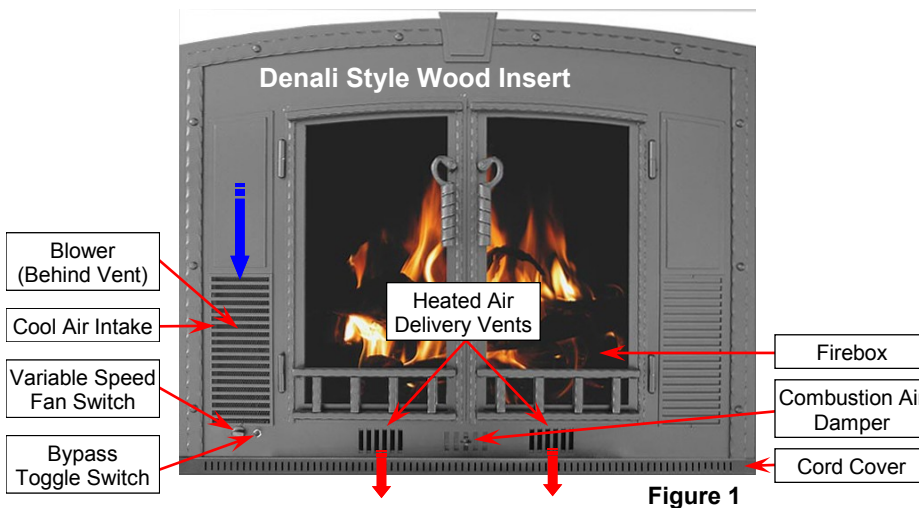


Figure 1

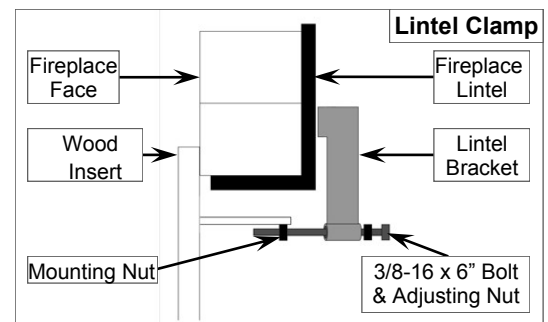


Figure 2

## INSTALLATION:

- Inspect the fireplace and the chimney flue for signs of loose mortar, damaged brick, and creosote build-up. If repairs are indicated contact a professional chimney sweep to arrange an inspection.
  - Clean the fireplace to remove all ashes and wood debris as necessary.
- Check the floor of the fireplace with a level front to back. If the fireplace is pitched toward the back the leveling bolts will be used. If the fireplace floor is pitched toward the front, the front of the CMC Wood Insert will need to be shimmed up.
- Unpack the CMC Wood Insert carefully and inspect for any signs of damage.
  - If damage is noted please contact CMC for instructions.
- Unlatch the Doors and remove them by lifting straight up. Remove the Mesh Screen Doors. Set these parts safely aside.
- Assemble the Lintel Clamps by threading an adjusting nut onto each 6" bolt and adding the Lintel Bracket. **(Figure 2)**
  - Thread the Lintel Clamp Bolts into the nuts welded onto the back of the CMC Wood Insert face.
- Install the CMC Wood Insert into the fireplace and center it from side to side.
  - If the fireplace is pitched toward the back install the leveling bolts into the tabs inside the back corners of the CMC Wood Insert. The bolts thread in from the top leaving the bolt heads accessible for adjustment. Adjust as necessary.
  - If the fireplace floor is pitched toward the front, the front of the CMC Wood Insert will need to be shimmed up using non-combustible spacers such as steel washers. Seal the gaps between the shims with insulation as necessary.
  - Install insulation strips between the CMC Wood Insert top and sides and the face of the fireplace. Cover all gaps without bunching the insulation. Large gaps created by rough openings may require additional insulation.
- Through the front door opening rotate the Lintel Clamps up to grip the fireplace lintel. Tighten the adjusting nuts snugly.
- The power cord is preinstalled to exit to the left side (facing the CMC Wood Insert). To route the power cord to the right side, remove the Cord cover, (it is attached with magnets) reroute the cord, and reinstall the Cord Cover.
- Reinstall the Mesh Screen Doors and the Firebox Glass Doors.

# Operating Instructions

---

**⚠ CAUTION:** Do not light a fire until you read and completely understand the Operating Instructions that follow. If you have any questions or concerns, please contact Fireplace Doors Online before proceeding.

## **GENERAL SAFEGUARDS:**

- ⚠ WARNING:** Never use gasoline, oil, or any other flammable liquid to start a fire in the CMC Wood Insert.
- Excessive heat can cause damage to the CMC Wood Insert. Very hot wood fires can cause warping or other damage and shorten the life of the CMC Wood Insert and/or its components. This type of damage, caused by over-heating, is considered abuse and is not covered under warranty.
  - Do not burn trash, construction materials, pressure treated lumber and/or railroad ties in your CMC Wood Insert. The intense heat that these types of materials can produce can damage the CMC Wood Insert and the fumes from burning these types of materials can create a serious health hazard.
  - Dry, seasoned hardwood, aged 6 to 9 months, is recommended as the safest and most efficient firewood. When wood is green and/or burned very slowly, it produces tar and other organic vapors, which combine with expelled moisture to form creosote. This creosote residue accumulates on the flue lining and, if ignited, may start a dangerous chimney fire. The chimney should be inspected for creosote build-up frequently and cleaned as necessary.
  - **NOTE:** High-temperature stove paint gives off an acrid odor as it cures. Open windows during the first few fires.

## **OPERATION:**

**⚠ IMPORTANT:** The Blower must be running when the fire is burning. If the Blower fails or electrical power is lost, allow the fire to die and discontinue use until the Blower is repaired or power is restored. Leave the glass doors fully open until the fire has burned out. Ignoring this advice can cause damage to the CMC Wood Insert and/or the Blower.

- **BLOWER:** The Blower is equipped with a temperature activated switch (Snap Disk) and a Variable Speed Switch.
  - The thermal Snap Disk will turn the Blower on when the switch heats to 120°F and off when it cools to 100°F.
  - A Toggle Switch allows the operator to bypass the Snap Disk to let the blower run longer during cool down.
  - The Variable Speed Switch regulates the speed of the blower and therefore the volume of warm air it delivers.
    - Turn switch knob clockwise or counterclockwise to regulate the air flow and air temperature at the vents.
    - If the air coming from the air vent is too cool the blower speed is set too high relative to the fire.

**NOTE:** The Snap Disk provides the On/Off function for the Blower when it is working properly. The Variable Speed Switch has an OFF position. **Do not use** the OFF function unless the Snap Disk fails and the blower continues to run when the fire is cold. If the Snap Disk fails have it replaced immediately by Fireplace Doors Online.

- **BURNING:** Build and maintain small to moderate fires. Keep burning logs and hot embers behind the log retainer included with the CMC Wood Insert. Do not burn a fire without the log retainer installed. Regulate the fire to avoid the unnecessary wear associated with extreme heat and uncontrolled burning. A roaring fire can overheat and damage the CMC Wood Insert. Damage caused by overheating is considered abuse and is not covered under warranty.
  - Turn down the blower speed before opening the glass doors. High speed air may pull smoke into the room.
- **SCREENS:** Keep the screens closed when the fire is burning except when loading or maintaining the fire.
  - **GLASS DOORS:** The CMC Wood Insert is equipped with high temperature ceramic stove glass. Please avoid striking the glass when loading fuel and make sure all wood is clear of the door opening before closing the doors. The doors can be closed on a moderate fire and the combustion air regulated by the built-in damper, however, you will get the maximum radiant heat from your CMC Wood Insert with the glass doors open.
- Never leave the room with both the glass doors and screens open.

## **MAINTENANCE:**

**⚠ CAUTION:** The CMC Wood Insert and its glass doors must be at room temperature before cleaning.

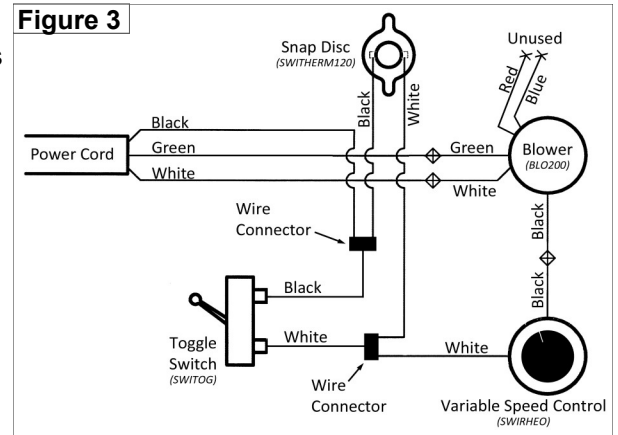
- Disconnect the power cord from the electric source prior to performing any maintenance.
  - Smoke residue or soot will accumulate on the glass over time. **Allow the glass to cool before cleaning.** If cleaned regularly this residue can be removed using glass cleaner and a soft cloth. Avoid cleaners that contain ammonia. For heavier, long-term build-up use a glass cleaner specifically formulated for removing wood smoke residue. These glass cleaners are available from FDO. Never use oven cleaner, abrasive cleaners, or abrasive pads.
  - Remove wood ash buildup before the ashes reach the bottom of door opening. The front log retainer is removable to allow easier removal of ashes. Use a fireplace shovel and a metal container or an ash vacuum specifically designed to handle wood ash.
  - Ashes should be placed in a metal container with a tight fitting lid and retained there until all cinders have thoroughly cooled. Place the container on a non-combustible surface. The container may be very hot until the ashes cool.
  - Check the air intake and outlet vents for a buildup of household dust. Clean as necessary to maintain free air flow.
  - At the end of the burning season the CMC Wood Insert and the fireplace should be cleaned thoroughly. The CMC Wood Insert can be painted with high temperature stove paint to renew the finish as necessary. Follow the instructions of the paint manufacturer carefully.
-

## COOKING:

A Stainless Steel Cooking Grill and a Swinging Pot Holder are available as accessories to allow for fireplace cooking in the CMC Wood Insert.

**⚠ CAUTION:** Doors, grill, foil, pot/pan, and food may be extremely hot. Wear oven proof gloves to protect from burns.

- Turn down the blower speed before opening the glass doors.
- Minimize the amount of tending that will be needed over the fire.
- Prepare food for cooking prior to the placing food onto the grill.
  - This may include wrapping food in aluminum foil, placing food in a pot or pan, or arranging food on grill in a proper direction.
- When grilling fatty items such as hamburgers use due caution to avoid flare-ups as grease falls onto the fire.
- The grill and/or the pot holder should be removed from the Heat Champion when not in use.



**CMC Wood Insert Wiring Diagram**

## Five Year Limited Warranty for CMC Wood Insert

Custom Metal Comp. warrants its CMC Wood Insert to be free from defects in metal materials and/or workmanship, under normal use and conditions of service, for a period of five (5) years, subject to the limitations outlined below. Glass is warranted to be free from defect in materials, under normal use and conditions of service, for a period of one (1) year, subject to the limitations outlined below. Electrical components are warranted to be free from defect in materials, under normal use and conditions of service, for a period of one (1) year, subject to the limitations outlined below. This warranty is non-transferable and is extended exclusively for the benefit of the original purchaser beginning on the original date of retail sale. Custom Metal Comp. will, at its option, repair or replace any part that fails due to a defect in materials or workmanship at no charge (exclusive of freight) subject to the limitations of this warranty.

This warranty covers repair or replacement of parts only and applies exclusively to products purchased for consumer use. This warranty does not cover damage caused by transportation and/or handling or which results from alteration, accident, misuse, abuse, or improper installation. It also makes no warranty as to maximum temperature and stresses which may cause discoloration of metal finishes, distortion of metal parts, glass breakage, or damage to electrical components.

This warranty constitutes the entire warranty with respect to Custom Metal Comp. and/or its products. Custom Metal Comp. shall not be liable for consequential or indirect damages which are caused by defects in its product, by its repair or replacement. Custom Metal Comp. makes no other warranty, expressed or implied, including any warranty of merchantability, or warranty of fitness for a particular purpose. Implied warranties of merchantability and fitness for a particular purpose which may arise under state law are also limited in duration to five years from the original purchase of this product. Some states do not allow such limitations, in which case this limitation may not apply. The consumer may have other rights that vary from state to state.

If, during the warranty period, a product covered under this warranty proves to be defective in material or workmanship, a claim for warranty service should be made through Fireplace Doors Online. Proof of purchase will be required.

If you have questions about your product or the terms of your warranty please contact:  
Fireplace Doors Online ~ 21701 ~ Warren, PA 16365

When applying for warranty replacement, or ordering replacement parts, always specify the type of product, the model, and the size. Describe the damaged or defective part in detail. Please provide digital pictures if possible.