

TUNGSTEN SMART-HEAT™ PORTABLE

Its neutral black finish and award-winning design make it a piece of modern art. The Tungsten Smart-Heat™ Portable heater offers efficient directional heat and is a versatile heating solution for any outdoor settings. Its modular construction with built-in wheels allows for easy manoeuvrability in tighter spaces.

ANGLED BRACKET
Provides flexibility of heat direction

UNIQUE DESIGN
Honeycomb fascia facilitates precise heat distribution

ADJUSTABLE HEAT CONTROLS
Offers ease of operation and precise heat comfort levels

SAFETY FEATURE
Anti tilt shut off

CONTOURED DESIGN
Allows for superior wind resistance

MODULAR CONSTRUCTION
For simple storage

PORTABLE
For ease of movement

SPECIFICATIONS

Reference the specification guide below to help you select the correct solution for your needs.

MODEL NUMBER

PRODUCT CODE	BH0510001
FUEL TYPE	LPG NG
COLOR	BLACK
HEAT AREA	215FT ²
ELECTRICAL CONNECTION	-
MINIMUM CEILING CLEARANCE	36"
OUTPUT	38,500 BTU

MOUNTING OPTIONS

CEILING MOUNT	-
WALL MOUNT	-
RECESSED FLUSH MOUNT	-
CEILING POLE MOUNT	-
FREESTANDING	✓

CONTROL OPTIONS

ON OFF	-
DIMMER	-
MASTER REMOTE	-

ADDITIONAL OPTIONS

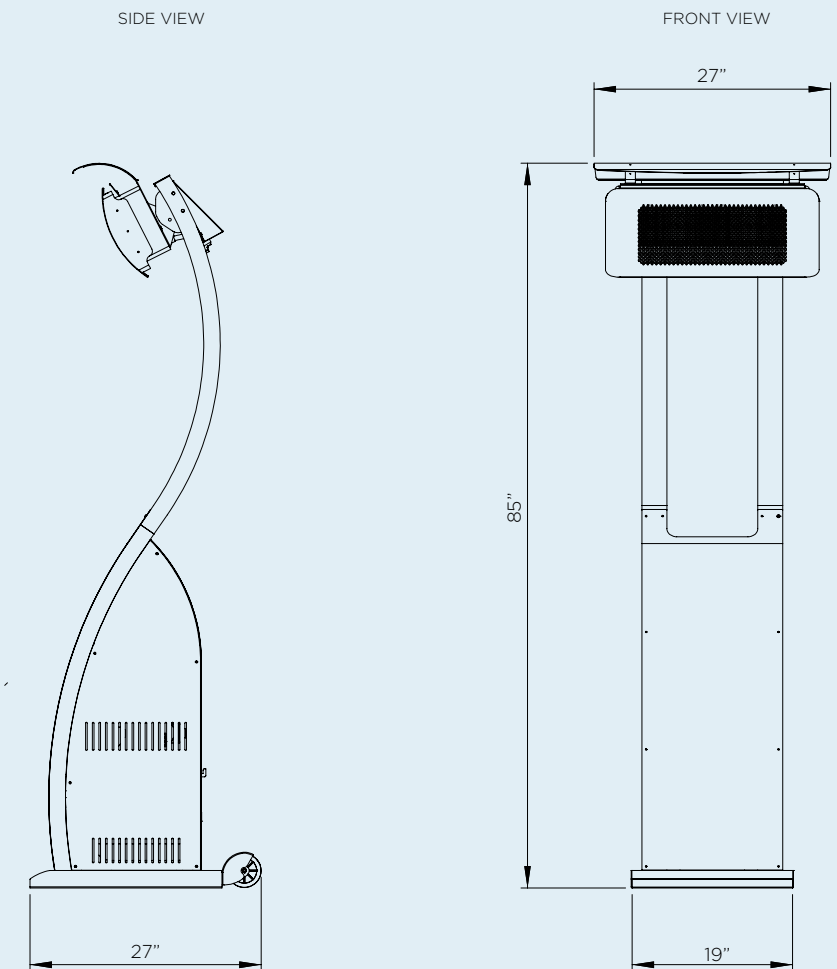
NATURAL GAS CONVERSION KIT PRODUCT CODE	BH8280050
HEATER COVER PRODUCT CODE	BH3030010

Measurements displayed within this document are minimum requirements for installation. Bromic takes no responsibility for incorrect or non-compliant installations. All measurement in this document are displayed in inches.

DIMENSIONS

With a wide range of sizes available, find the ideal heater to suit your outdoor space.

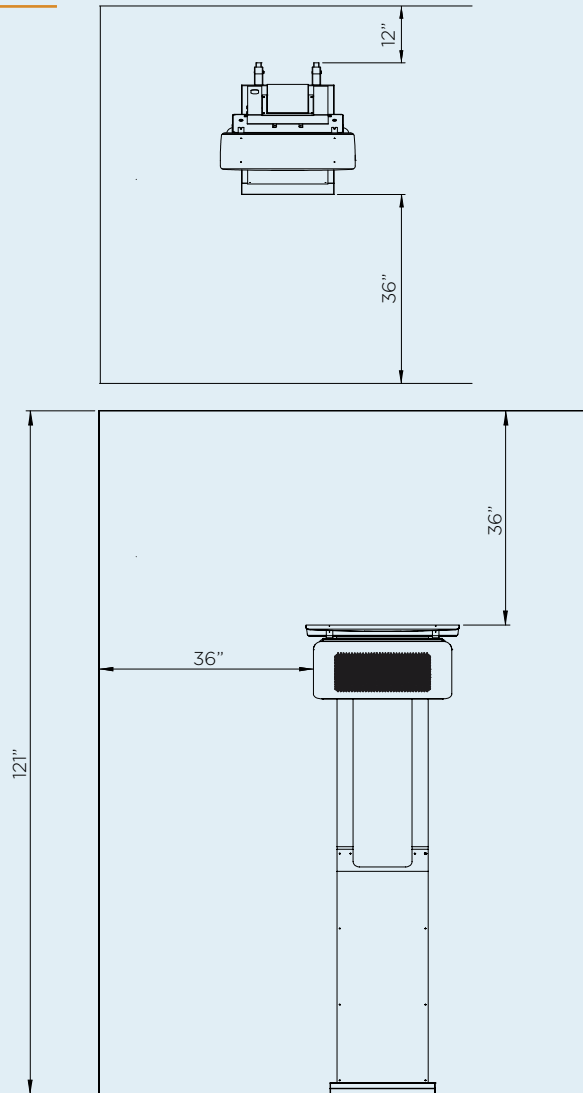
PROFILE



CLEARANCE

With a wide array of mounting options, Bromic offers solutions to compliment any décor and provide functionality for ambiance and comfort.

CEILING & WALL CLEARANCE

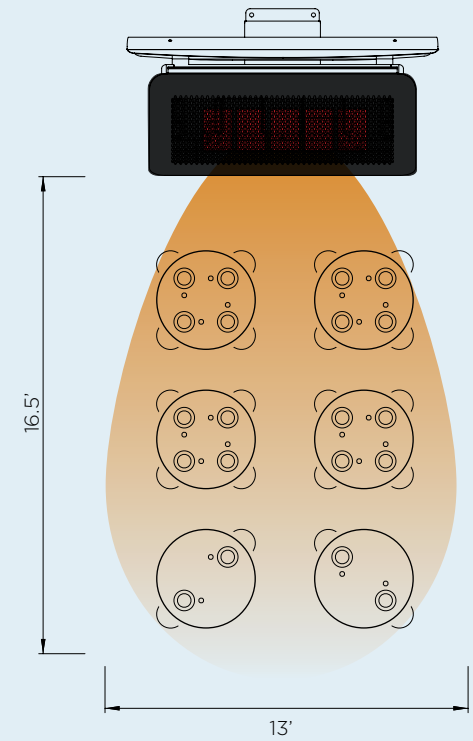


HEATING REACH

Creating ideal comfort levels, Bromic heaters offer a variety of heat distribution options to suit your outdoor heating needs.

HEAT AREAS

TUNGSTEN PORTABLE
HEATING APPROXIMATELY 215FT²
38,500 BTU HEATING POWER



An outdoor dining area on a wooden deck overlooking the ocean at sunset. Two tall, dark-colored outdoor heaters with glowing red heat exchangers are positioned on either side of a central table. The table is set with white plates, glasses, and a small vase. The chairs are upholstered in a dark green fabric. The background shows a calm sea and a hazy horizon under a soft, orange and pink sky. Palm trees are visible on the left and right sides of the frame.

EXTEND YOUR COMFORT OUTDOORS
WITH THE SUPERIOR HEAT AND
AWARD-WINNING DESIGN OF OUR
SMART-HEAT™ OUTDOOR HEATERS.

[BROMIC.COM/HEAT](https://www.bromic.com/heat)

ASIA PACIFIC | NORTH AMERICA | EUROPE

Bromic pursues a policy of continuing improvement in design and performance of its products. The right is therefore reserved to vary specifications without notice.