

---

## TUNGSTEN SMART-HEAT™ ELECTRIC HEATER BY BROMIC

## INSTALLATION, INSTRUCTION AND SERVICE MANUAL

SUITABLE FOR ELECTRIC HEATER MODELS:  
TUNGSTEN 2000W, 3000W, 4000W- AND TUNGSTEN 6000W

---

**PROP. 65 WARNING FOR  
CALIFORNIA RESIDENTS**



Cancer and Reproductive Harm -  
[www.P65Warnings.ca.gov](http://www.P65Warnings.ca.gov)

**AVERTISSEMENT PROP. 65 POUR LES  
RESIDENTS DE LA CALIFORNIE**

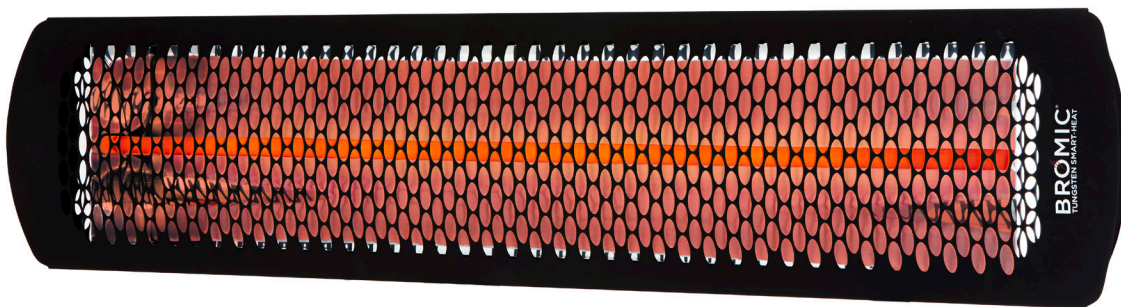


Cancer et Troubles  
de l'appareil reproducteur -  
[www.P65Warnings.ca.gov](http://www.P65Warnings.ca.gov)

**AVERTISSEMENT PROP. 65 PARA LOS  
RESIDENTES DE CALIFORNIA**



Cancer y Daño Reproductivo -  
[www.P65Warnings.ca.gov](http://www.P65Warnings.ca.gov)



### IMPORTANT

READ THIS MANUAL CAREFULLY.  
SEE INSIDE COVER FOR IMPORTANT  
INFORMATION ABOUT THIS MANUAL.KEEP  
INSTRUCTION WITH APPLIANCE FOR FUTURE  
REFERENCE.

This manual contains important information about the installation, operation, and maintenance of Tungsten Smart-Heat™ Electric Heaters. Please pay close attention to the important safety information shown throughout this instruction manual. Any safety information will be accompanied by the following safety alert symbols:

 DANGER,  WARNING,  IMPORTANT

- READ THIS MANUAL CAREFULLY before installing or servicing this product.
- Improper installation, operation, or maintenance can result in death, severe injury, or property damage.
- Use this heater only as described in this manual. Any other use not recommended by the manufacturer may cause fire, electric shock, or injury to persons
- This appliance is intended for fixed installation with 230-240Volt power supply.
- Installation MUST be carried out by a licensed and authorised technician in accordance with local electrical codes.
- For Domestic and Commercial Use
- Patent Pending & Registered Design

NOTE: IMPORTANT INSTRUCTIONS, SAVE THESE INSTRUCTIONS

**BROMIC**<sup>®</sup>  
HEATING

BROMIC HEATING

Head Office: 10 Phiney Place, Ingleburn NSW 2565 Australia

Telephone: 1800 301 1293 (US) 1300 276 642 (within Australia) or +61 2 9748 3900 (from overseas)

Email: [info@bromic.com](mailto:info@bromic.com) Web: [www.bromic.com/heating.com](http://www.bromic.com/heating.com)

Note: Bromic Heating reserves the right to make changes to specifications, parts, components and equipment without prior notification. This Installation, operation and service manual may not be reproduced in any form with prior written consent from Bromic Heating.

# CONTENTS

IMPORTANT NOTES & WARNINGS	4
PRODUCT OVERVIEW	5
PRODUCT DESCRIPTION AND FEATURES	5
SPECIFICATIONS	5
HEATER INSTALLATION	6
INSTALLATION CLEARANCES	6
CEILING WALL MOUNTING	7
CHAIN SUSPENSION	7
TUBE SUSPENSION	8
CEILING RECESS	9
ELEMENT INSTALLATION	11
ELECTRICAL INSTALLATION	13
WIRING DIAGRAMS	14
SERVICING	15
MAINTENANCE	15
TUBE ELEMENT REPLACEMENT	15
REPLACEMENT PART LIST	16
TROUBLESHOOTING	16

# IMPORTANT NOTES AND WARNINGS

## WARNING

- Read all instructions before installing or using this heater
- Use this heater only as described in this manual. Any other use not recommended by the manufacturer may cause fire, electric shock, or injury to persons.
- Improper installation, adjustment, or alteration and failure to follow the warnings and instructions in this manual could result in severe personal injury, death or property damage.
- The manufacturer is not responsible for any damage that could happen from improper use. The manufacturer emphasises that this appliance should be used in a responsible manner and that all procedures, warnings, and safety instructions contained in this booklet be followed strictly.
- This heater is not intended for use in bathrooms, laundry areas and similar indoor locations. Never locate heater where it may fall into a bathtub or other water container.
- Do not install the heater directly near a bathtub, shower or swimming pool. Any switches or controls must not be within reach of a person in the bathtub, shower or swimming pool.
- This heater is hot when in use. To avoid burns do not let bare skin touch hot surfaces. Keep combustible materials such as furniture, pillows, bedding, papers, clothes, etc. and curtains at least 3' (900mm) from the front the front of the heater and keep them away from the sides and rear.
- Extreme caution is necessary when any heater is used by or near children or invalids and whenever the heater is left operating and unattended.
- This appliance is not intended for use by persons (including children) with reduced physical, sensory or mental capabilities, or lack of experience and knowledge, unless they have been given supervision or instruction concerning use of the appliance by a person responsible for their safety.
- Keep packaging materials out of reach of children
- Children and adults should be alerted to the hazards of high surface temperatures and should stay away to avoid burns, clothing ignition, or other serious personal injury
- Children should be carefully supervised when they are in the area of the heater.
- Do not attempt to alter the unit in any manner.
- Do not paint any surface of the heater.
- Do not touch the heater with wet hands at any time.
- Do not insert or allow foreign objects to enter front cover or front opening as this may cause an electric shock or fire, or damage the heater
- Do not touch the heating surface at any time, even when the heater is turned off and has cooled down.
- Do not use or store flammable materials near this appliance
- Do not spray aerosols or flammable materials in the vicinity of this appliance while it is in operation
- Never operate the heater in an explosive environment such as areas where petrol or other flammable liquids or vapours are stored.
- Clothing or other flammable materials should not be hung from the heater or placed on or near the heater.

## INSTALLATION

- **IMPORTANT** - Installation must be carried out by a licensed and authorised person.
- The installer is to ensure that the requirements of the local authority, local electrical installation code, municipal building codes, and any other relevant statutory regulations are carried out.
- After unpacking, make sure the appliance shows no signs of visible damage or tampering. If the appliance appears damaged, contact the place of purchase for assistance.
- Remove transit protection before use.
- This appliance must only be used on a 230-240 Volt AC Single Phase electricity supply.
- This radiant heater is NOT intended to be installed on recreational vehicles and/or boats.
- Do not run cord under carpeting. Do not cover with throw rugs, runners or the like arrange cord away from traffic area and where it will not be tripped over
- A heater has hot and arcing or sparking parts inside. Do not use it in areas where gasoline, paint or flammable liquids are used or stored.
- To maintain Ingress Protection Rating (IPX4), only IPX4 rated conduit fittings should be used for electrical installation.
- Warning –To Reduce the risk of fire with Danger –To Avoid Fire
- This Installation, Operation and Service manual should not be removed from the site of installation. Installer should leave manual with the customer for future reference.
- Any guard or other protective device removed for servicing (conducted by an authorised person) must be replaced before operating the heater.
- Heaters are not intended to be installed in wardrobes.
- The appliance must not be located directly below or in front of a wall electricity socket. This is because the heat radiated from the appliance may damage the electricity outlet or plug.
- If the appliance has not been used, or will not be used, for a long period of time, disconnect power supply
- A means for disconnection of the heater must be incorporated in the fixed wiring according to the local electrical codes.
- Do not mount the heater vertically. Install Heater so that the infrared elements are
- Horizontal. Failure to do this may cause the heating element within the tube to sag and cause premature burnout. Installing vertically will void the manufacturer's warranty.

## CLEARANCE

- Do not place articles on or against this appliance
- A minimum safety distance of 3' (900mm) should always be left in front of the appliance.
- Be sure the heater is not facing the ceiling or flammable or combustible substances/materials.

## MAINTENANCE/ REPAIR

- Installation and repair must be carried out by a qualified & licenced service person only. The heater should be inspected

# IMPORTANT NOTES AND WARNINGS CONTINUES ...

before use and at least annually serviced & inspected by a qualified & licenced service person.

- Do not perform maintenance until heater has been turned off, power disconnected, and heater temperature has cooled to room temperature.
- Check for damage to the appliance regularly. If damage to the appliance is suspected, discontinue use immediately and contact the supplier or qualified person to repair.
- If the supply cord is damaged, it must be replaced by an authorised and licenced person in order to avoid a hazard.
- At the end of this product's useful life, it must not be disposed of as domestic waste, but must be taken to a collection centre for waste electrical and electronic equipment. It is the user's responsibility to dispose of this appliance through the appropriate channels at the end of its useful life. Failure to do so may incur the penalties established by laws governing waste

disposal. Proper differential collection, and the subsequent recycling, processing and environmentally compatible disposal of waste equipment avoids unnecessary damage to the environment and possible related health risks, and also promotes recycling of the materials used in the appliance. For further information on waste collection and disposal, contact your local waste disposal service, or the place of purchase

## PRODUCT OVERVIEW

Model	2000W	3000W	4000W	6000W
Part no.	BH0420002	BH0420003	BH0420004	BH0420005
No. of Elements	Single element	Single element	Double element	Double element
Bracket Length	6.5"	6.5"	9.5"	9.5"
Power (Watts)	1.8 - 2.0kW	2.8 - 3.0kW	3.4-3.9kW	5.4-5.9kW
Heating Area*	up to 64ft <sup>2</sup>	up to 100ft <sup>2</sup>	up to 120ft <sup>2</sup>	up to 144ft <sup>2</sup>
Power connection required (Volts/ Amps)	230-240V - a.c.- 50/60Hz / 8.3A	230-240V -a.c.- 50/60Hz / 12.5A	230-240V -a.c.- 50/60Hz / 16.6A	230-240V -a.c.- 50/60Hz / 25A
Dimension (W"xD"xH")	44" x 8.5" x 3.5"	56" x 8.5" x 3.5"	44" x 8.5" x 3.5"	56" x 8.5" x 3.5"
Weight (kg)	19.8lbs	22lbs	19.8lbs	22lbs
Finish	Black High Temperature Coating			

\*Heating areas are based on protected environment with mounting height of 96" (8'). For unprotected and extremely cold and windy environments heating areas can be less. Please contact Bromic Heating for further advice.

## PRODUCT FEATURES

- The Tungsten Smart-Heat Electric heaters are designed to provide efficient spot heating for commercial and residential applications.
- Suitable for indoor and outdoor heating applications such as restaurants, cafes, bars and clubs, factories, office spaces, designated smoking areas, public areas, hotels and more.
- The heaters are available in 2000W, 3000W, 4000W and 6000W models to suit a range of environments.
- High temperature corrosion-resistant coating.
- IPX4 water ingress protection rating.
- Soft glow infrared heating element - No harsh glare.
- Wall and ceiling mounting brackets allowing adjustable angle of the heating direction.
- Tube elements are included with the heater and easily installed.
- Heater is equipped with spectral reflector for excellent radiant heat output.
- Patent Pending & Registered Design

# HEATER INSTALLATION



## WARNING

DO NOT MOUNT THE HEATER VERTICALLY!  
Heater MUST be installed so that the tube elements are horizontal. Failure to do this will cause the heating element within the tube to sag and cause premature burnout. Installing vertically will void the manufacturers warranty.



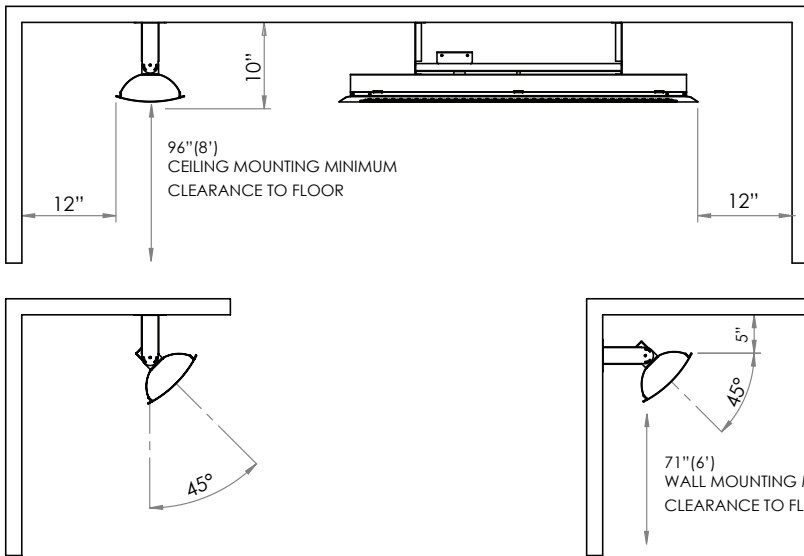
## WARNING

DO NOT MOUNT THE HEATER VERTICALLY!  
For outdoor installation heater must be mounted with face of heater angled down.  
For longest product life & to maintain product appearance mount heater under cover & protect from rain & weather whenever possible.

## INSTALLATION CLEARANCES

### FOR 2000W & 3000W MODELS

2000W & 3000w models must be installed with the minimum installation clearances shown in below diagrams. 2000W & 3000W models are supplied with short mounting brackets to be used for both ceiling & wall mounting.



FOR CANADA (CETL) APPROVAL  
DO NOT INSTALL LESS THAN 96" (8')  
FROM THE FLOOR.

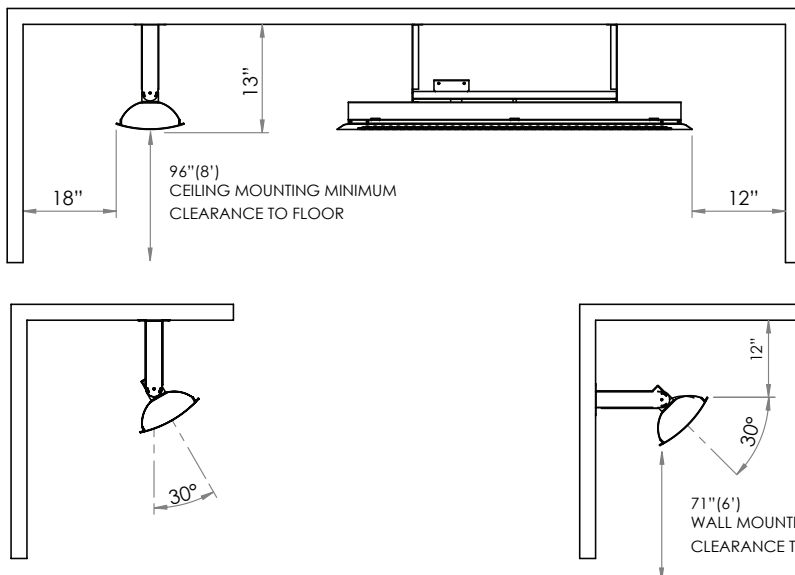


**WARNING**  
MINIMUM DISTANCE BETWEEN  
HEATERS MEASURED FROM EDGE OF  
HEATER MUST BE AT LEAST 20"

## INSTALLATION CLEARANCES

### FOR 4000W & 6000W MODELS

4000W & 6000W models must be installed with the minimum installation clearances shown in below diagrams. 4000W & 6000W models are supplied with long mounting brackets to be used for both ceiling & wall mounting. Alternatively, short mounting brackets can be used for wall mounting of the 4000W & 6000W models to position the heater closer to the wall. Short mounting brackets must be purchased separately.



FOR CANADA (CETL) APPROVAL  
DO NOT INSTALL LESS THAN 96" (8')  
FROM THE FLOOR.



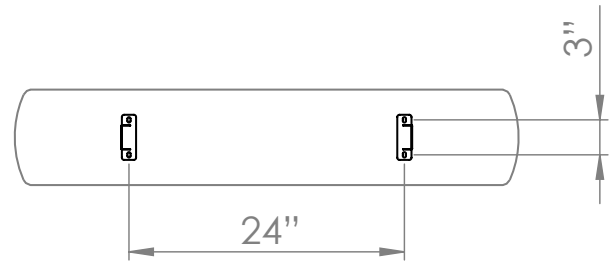
**WARNING**  
MINIMUM DISTANCE BETWEEN  
HEATERS MEASURED FROM EDGE OF  
HEATER MUST BE AT LEAST 20"

## CEILING & WALL MOUNTING

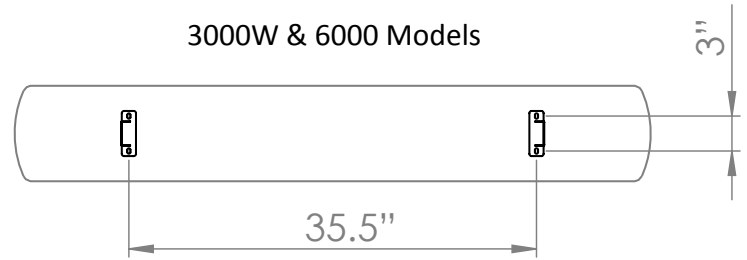
1. Mark mounting hole centres on ceiling or wall.

### ① Mounting Hole Centres & Heater Position

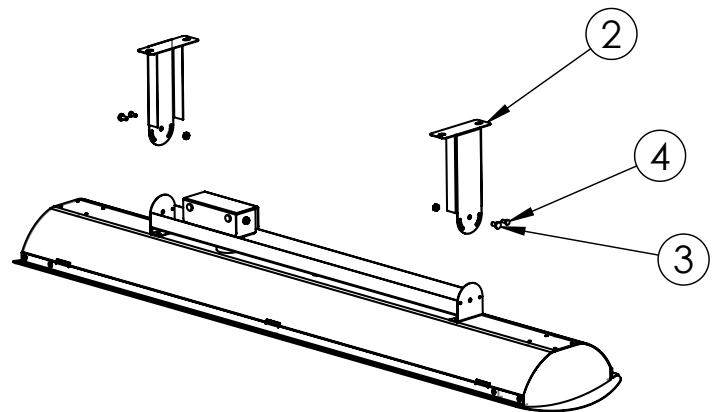
2000W & 4000 Models



3000W & 6000 Models

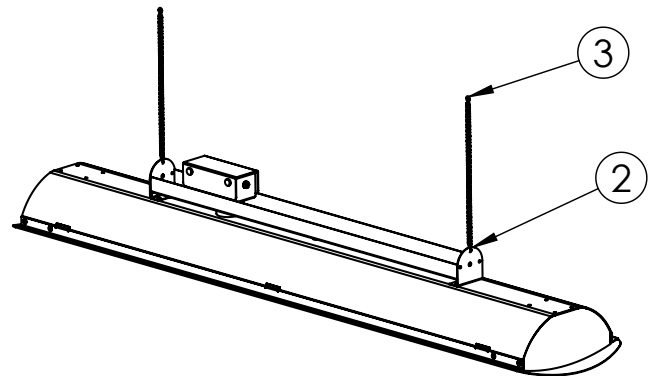


2. Attach mounting brackets to ceiling or wall using appropriate fasteners (Not supplied).
3. Bring heater up to mounting brackets and lock into position with M5x10 screw & nut.
4. Rotate heater to required angle. Lock into position with self tapping screw.
5. Make electrical connection from heater to power supply.



## CHAIN SUSPENSION (SOLD SEPARATELY)

1. Heater must be installed with heater surface 96" (8') above the floor level. If required, cut down length of chain to ensure correct installation height.
2. Attach chains to heater with "S" hooks. Crimp "S" hooks closed after assembly.
3. Prepare ceiling structure for heater. Attach chains to ceiling structure & suspend heater.
4. Make electrical connection from heater to power supply. If required fix supply power cord to ceiling chain with cable ties.



## TUBE SUSPENSION (SOLD SEPARATELY)

1. Mark mounting hole centres on ceiling. Attach mounting brackets to ceiling using appropriate fasteners (Not supplied).

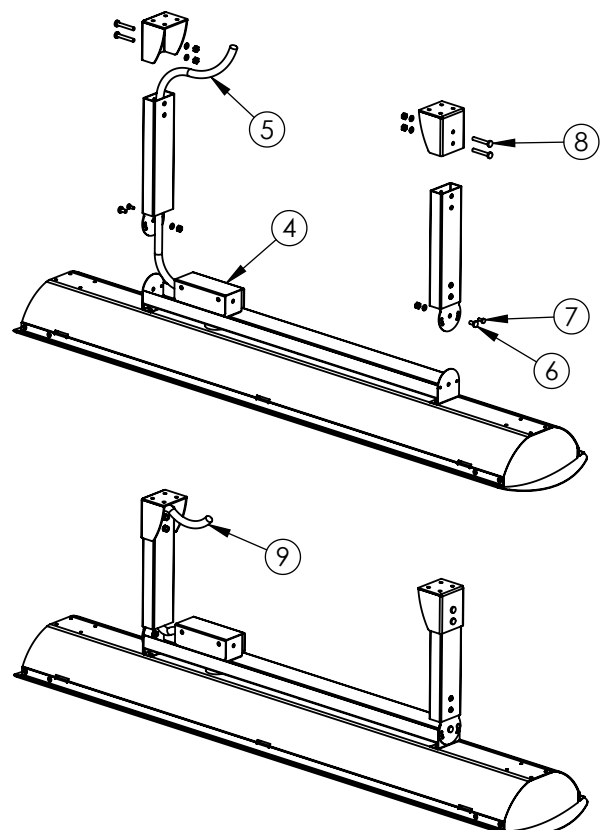
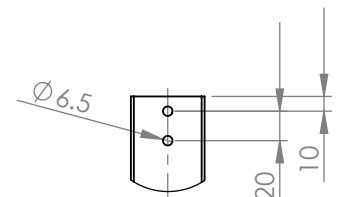
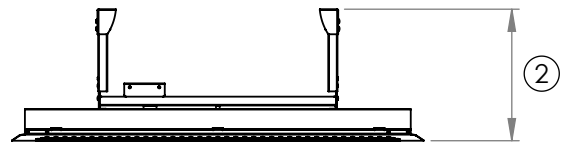
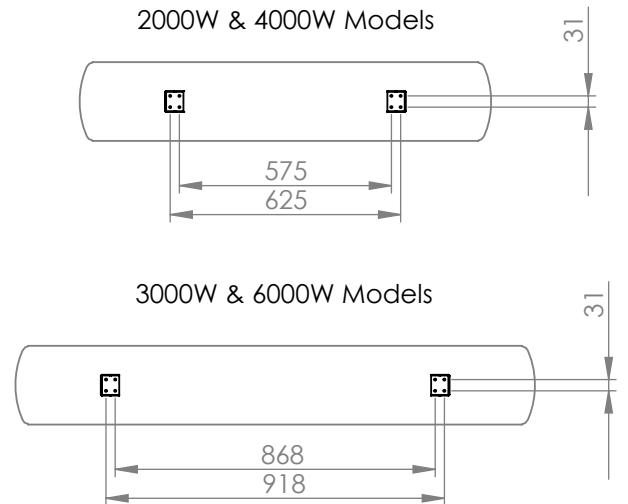
2. Heater must be installed with heater surface at least 2400mm above the floor level. Supplied suspension tubes position heater surface 1000mm below the ceiling surface. If required, cut down length of suspension tubes to ensure correct installation height. Minimum distance from front surface of heater to ceiling surface must be 250mm for 2000W & 3000W models & 330mm for 4000W & 6000W models.

3. If suspension tubes are cut down, drill new mounting holes in each tube.

4. Make electrical connection in junction box as per electrical installation instructions in this manual.
5. Feed power cord through suspension tube.
6. Assemble suspension tubes to rear bracket with M5 screw, spring washer and nut.
7. Rotate heater to required angle. 15° or 30° in either direction. Lock into position with self tapping screw.
8. Raise heater assembly into position. Attach suspension tubes to ceiling brackets with M5x35mm screws, spring washers & nuts.

9. Make electrical connection from suspension tube power cord to power from ceiling as per electrical installation instructions in this manual.

### ① Mounting Hole Centres & Heater Position



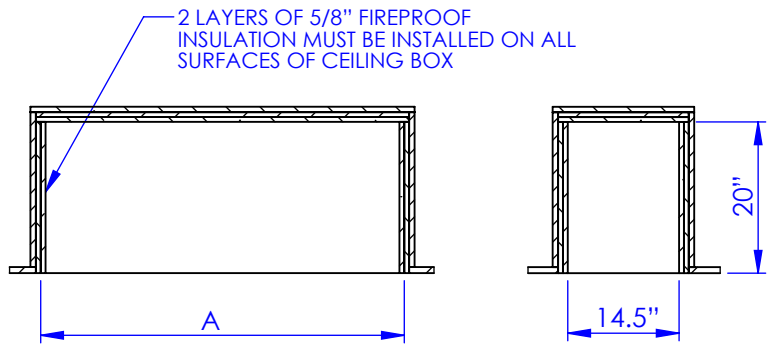


## CEILING RECESS KIT (SOLD SEPARATELY)

1. Prepare ceiling cut out & ceiling box.  
Minimum ceiling box dimensions must be as shown in table. Heater must be installed with heater surface at least 2400mm above the floor level.

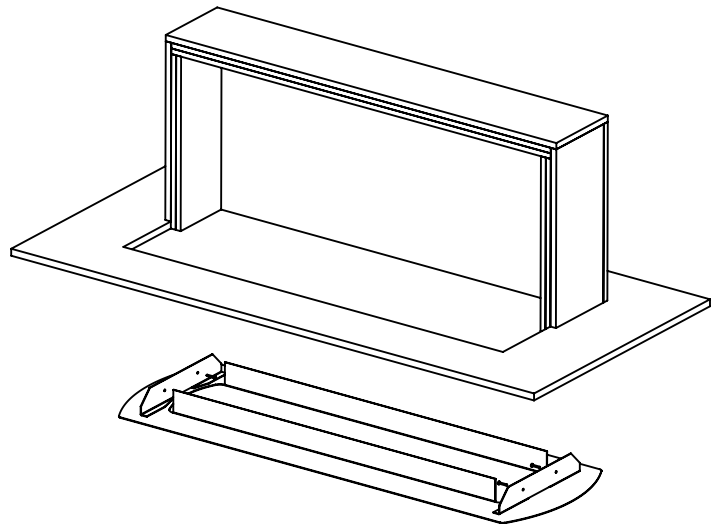


**WARNING**  
MINIMUM DISTANCE BETWEEN HEATERS MEASURED FROM EDGE OF HEATER MUST BE AT LEAST 20"

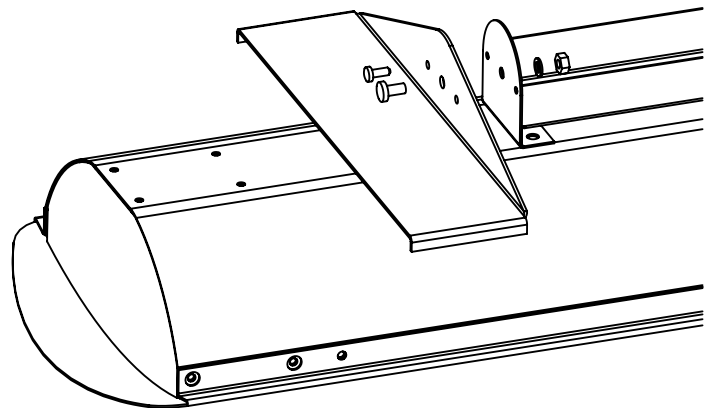


MODEL	DIMENSION "A"
2000W & 4000W	46"
3000W & 6000W	57.5"

2. From below, bring ceiling frame up and into ceiling cut out.  
3. Fasten ceiling frame to ceiling box through mounting holes with fasteners (not supplied).



4. Prepare heater for installation.  
Attach mounting brackets to both ends of heater with supplied fasteners.

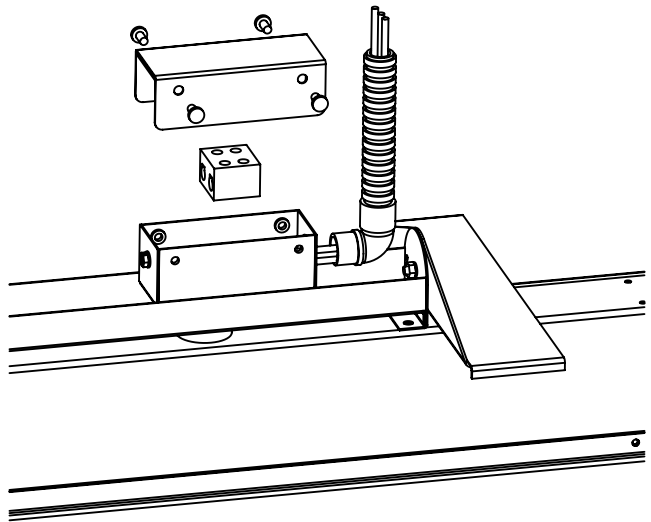


5. Assemble supplied terminal blocks, wire, conduit & junction box cover.

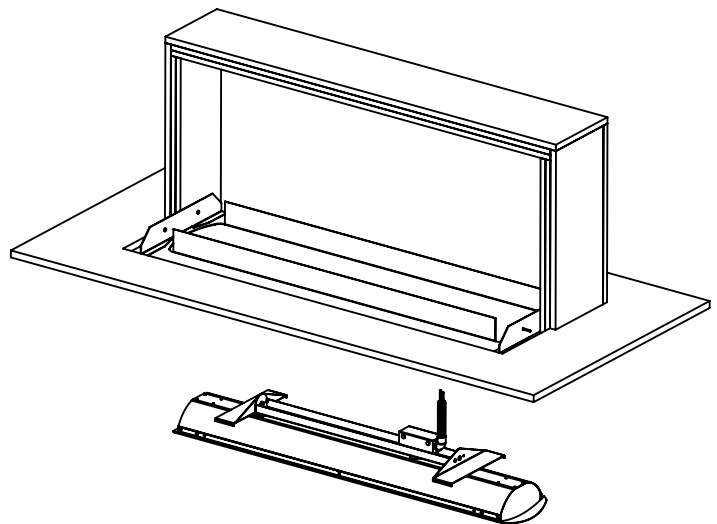
The Ceiling Recess Kit is supplied with 5 wires & 2 terminal blocks. Not all parts are required for all installations.

See wiring diagrams for installation options.

For double element heater models the elements can be wired to be turned on independently or together.



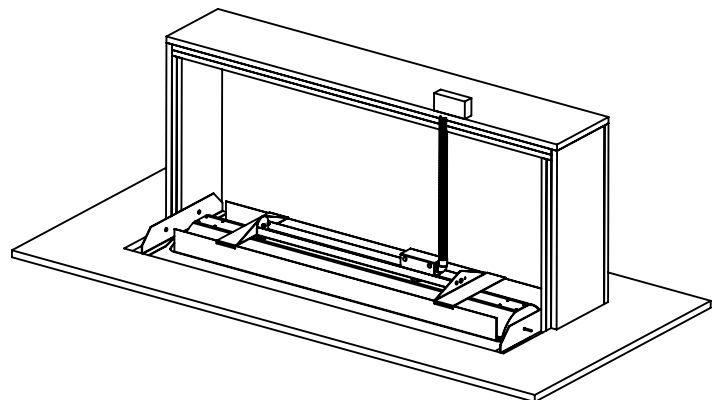
7. Raise one side of heater up into the ceiling box & then raise whole heater into cavity.



8. Rotate the heater into horizontal position in the ceiling box & then lower down onto the ceiling frame.

9. Ensure all four side mounting brackets are hooked over the ceiling frame & centre the heater inside the frame.

10. Make electrical connection from heater to power supply as per electrical installation instructions in this manual. Connection to be made outside the ceiling box on the side or top of the ceiling box.

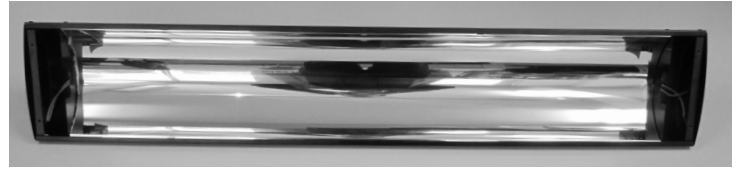
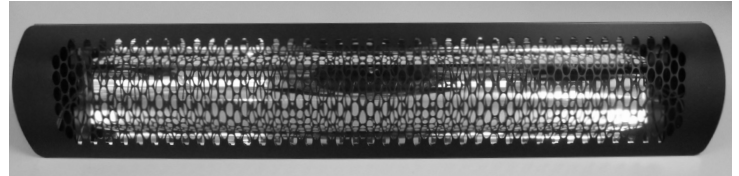


# ELEMENT INSTALLATION

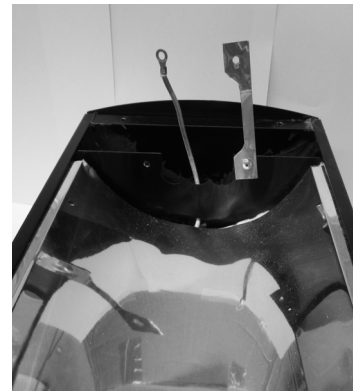
## WARNING

This Heater **MUST** be permanently Installed and hard wired by an authorised/licenced person. Do Not perform maintenance, or carry out installation or assembly procedure while electrical power is switched on.

1. Remove the front cover from the heater.



2. Check that ring terminals are crimped securely to cables. 2000W & 3000W models have one cable at each end for assembly of one element. 4000W & 6000W models have two cables at each end for assembly of two elements. The first element must be connected to the cables marked L1 & N1. The second element must be connected to the cable marked L2 & N2.



2000W & 3000W Models



4000W & 6000W Models

3. Fasten elements to cables. Remove outer nut & lock washer from the threaded stud on the element. Assemble ring terminal to the threaded stud & secure with outer nut and lock washer. Use one spanner to hold the inner nut on the element, while fastening the outer nut with a second spanner. Repeat for other end of element.



4. Put elements in the support bracket. For 2000W & 3000W models put element in the centre position. For 4000W & 6000W models put elements in the outside positions.



2000W & 3000W Models



4000W & 6000W Models

## ELEMENT INSTALLATION CONTINUED...

5. Close element lock bracket & fasten with self tapping screw. Repeat for other end of heater.

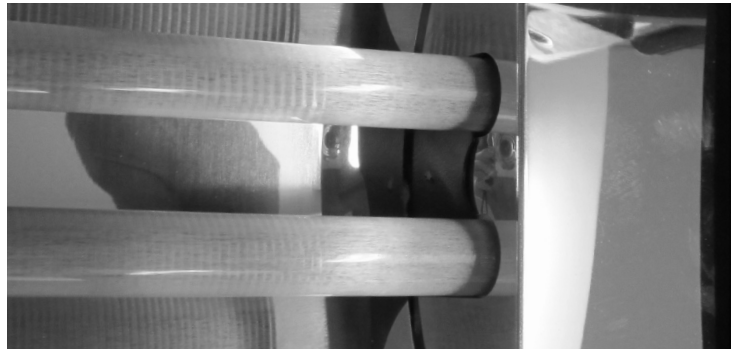


6. Assemble end caps at both ends of the heater with 2 self tapping screws. For 4000W & 6000W models ensure that the middle tab of the end caps are slotted behind the element support bracket.

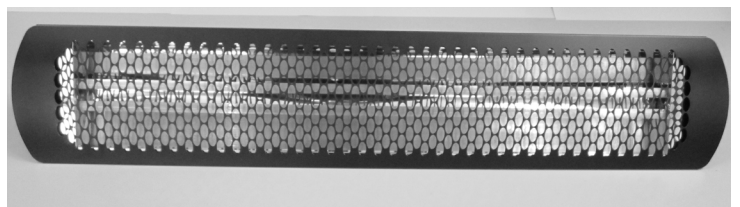
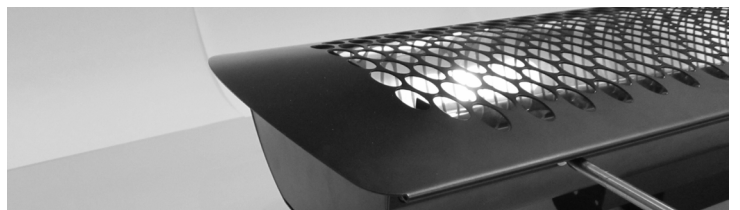
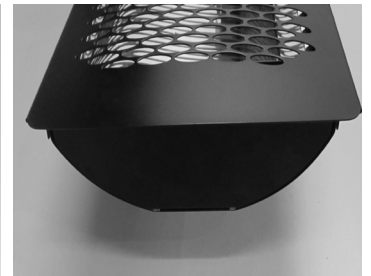
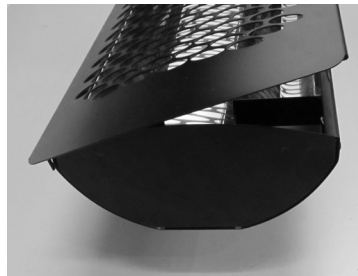


2000W & 3000W Models

4000W & 6000W Models



7. Assemble front cover onto the heater. Hook front cover to one side of the heater and push other side down. Fasten into position with 3 self tapping screws.



# ELECTRICAL INSTALLATION

## WARNING

This Heater **MUST** be permanently Installed and hard wired by an authorised/licenced person. Do Not perform maintenance, or carry out installation or assembly procedure while electrical power is switched on.

## WARNING

**ELECTRICAL SHOCK HAZARD!** Serious injury or death may occur. Disconnect from electrical supply before installing or servicing this heater. Read and follow installation clearance requirements outlined in this manual. The Appliance **MUST** be connected to a properly grounded electrical source.

**IMPORTANT: Electronic dimmer controls generate heat during operation. For Bromic heaters installed Bromic Smart-Heat Electric Wireless Dimmer BH3130011-1 or ON/OFF Control BH3130010-1 it is essential to ensure dimmers are mounted in a clean, dry and well ventilated position with clearance on all sides. It must be ensured the dimmers are not installed in a confined space, close to other heat generating appliances or in the case of a multi-dimmer installation, not too close together. Dimmers must remain cool at all times.**

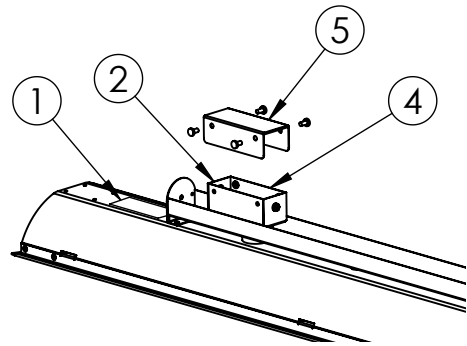
**Please consult Bromic dimmer installation instructions for further details or for further questions please contact Bromic technical support services.**

## ELECTRICAL INSTALLATION

1. Check product label for correct voltage and wattage. Make sure power source conforms to the heaters requirements.
2. Junction box has a 0.86" (22mm) to a standard 1/2 "weather tight conduit fittings. Install cord grip with minimum rating of IPX4 to maintain the water ingress protection rating of the heater. Cord grip must have minimum temperature rating of 90°C (194°F). Failure to install correctly will void the manufacturer's warranty.
3. For supply connections, use suitable power supply wire at least 90°C (194°F). Use Copper or aluminium wire. For 2000W Model: Use only on 15 Ampere branch circuit. For 3000W Model: Use only on 20Ampere branch circuit
4. Make electrical connections in accordance with local electrical code regulations. For outdoor installation all connections must be made in accordance with local electrical code regulations for outdoor wiring. Only use wiring components approved for outdoor use with minimum IPX4 rating. For 2000W & 3000W models the junction box has one active and one neutral pig

tail. For 4000W & 6000W models the junction box has the two marked and two unmarked pig tails. Use the two marked pig tails for the first element. Use the two unmarked pig tails for the second elements. Earth ground wire screw is located in the end of junction box

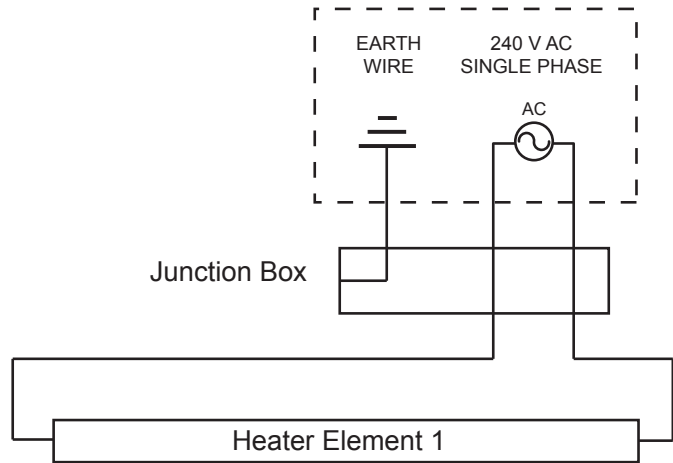
5. Assemble the junction box cover & gasket. Ensure that the junction box cover gasket (supplied with unit) is installed to maintain the IPX4 water ingress protection rating of the heater. Failure to install correctly will void the manufacturer's warranty



**WIRING DIAGRAM  
TUNGSTEN SMART-HEAT ELECTRIC  
STANDARD INSTALLATION  
2000W & 3000W MODELS\***



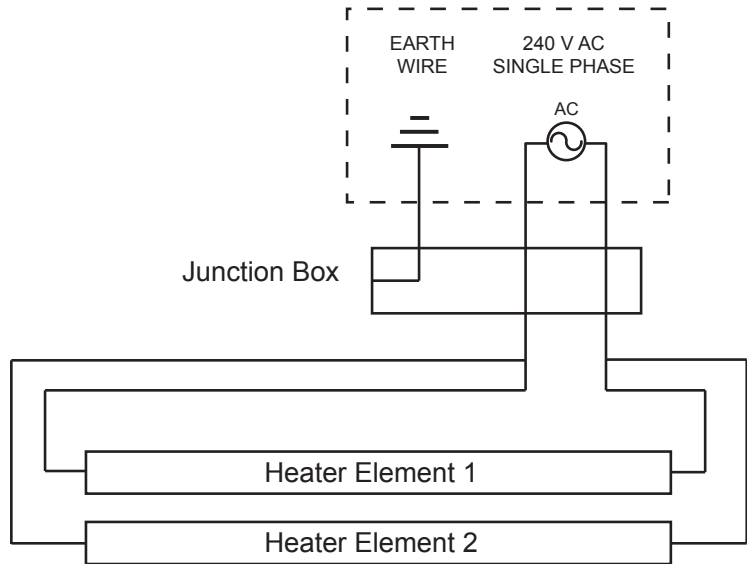
**WARNING**  
240 V AC Single Phase  
Heater must be permanently  
installed and hard wired by an  
authorised/licenced person.



**WIRING DIAGRAM  
TUNGSTEN SMART-HEAT ELECTRIC  
STANDARD INSTALLATION  
4000W & 6000W MODELS\***



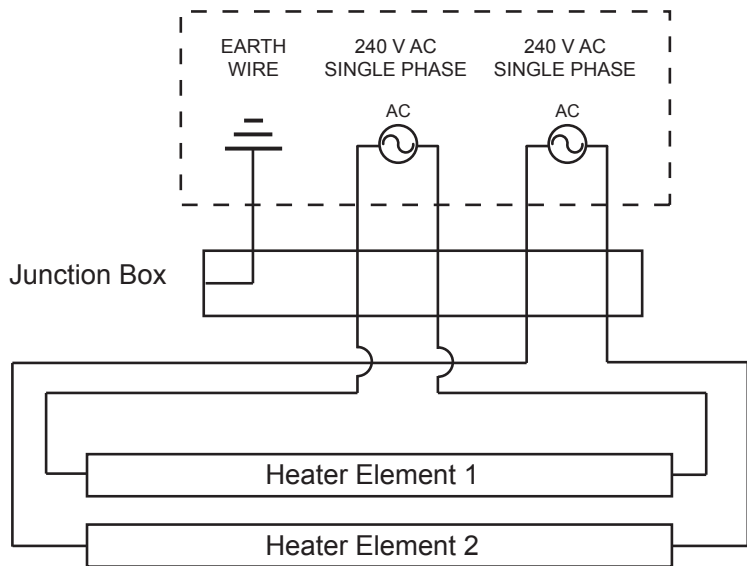
**WARNING**  
240 V AC Single Phase  
Heater must be permanently  
installed and hard wired by an  
authorised/licenced person.



**WIRING DIAGRAM  
TUNGSTEN SMART-HEAT ELECTRIC  
OPTIONAL INSTALLATION  
4000W & 6000W MODELS\***



**WARNING**  
240 V AC Single Phase  
Heater must be permanently  
installed and hard wired by an  
authorised/licenced person.



\*For wiring instructions using Bromic Tungsten Smart-Heat Electric Wireless Dimmer BH3130011-1 or ON/OFF Control BH3130010-1 refer to instructions provided with controller.

## WARNING

Servicing and maintenance **MUST** be carried out by an authorised and licensed person only

## WARNING

**ELECTRICAL SHOCK HAZARD!**

Serious injury or death may occur.

Disconnect from electrical supply before servicing this heater.

## MAINTENANCE

For longest product life & to maintain product appearance mount heater under cover & protect from rain & weather whenever possible.

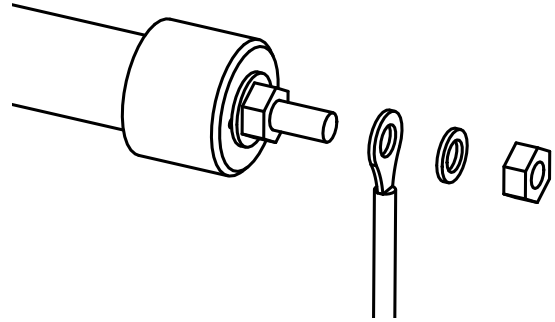
The exterior housing of the heater should be cleaned regularly with a soft damp cloth. For locations near the coast, salt in the air can cause rusting of metal. Additional cleaning of the heater with a soft damp cloth fortnightly will increase the life of the products appearance.

Ensure that there is no excessive build-up of dirt/dust on the reflectors or elements as this can cause overheating and premature element failure. To clean the reflectors and elements, ensure heater is off and has been off for at least 2 hours after operation, and wipe off any dirt/dust with a soft & dry cloth.

## TUBE ELEMENT REPLACEMENT

1. Remove Front Cover of the heater by unscrewing the 3 screws holding it in place.
2. Remove first Element End Cover by unscrewing the 2 screws holding it in place.
3. Remove Outer Hex Nut, Lock Washer and Lead Wire Ring Terminal from the threaded stud.
4. Remove second Element End Cover by unscrewing the 2 screws holding it in place.

5. Remove Outer Hex Nut, Lock Washer and Lead Wire Ring Terminal from the threaded stud.
6. Remove old Tube Element.
7. Install new Tube Element by following element installation instructions on page 8 of this manual.



# REPLACEMENT PART LIST

No.	Description	BH0420002 (2000W)	BH0420003 (3000W)	BH0420004 (4000W)	BH0420005 (6000W)
1	Tube Element	BH8180001	BH8180002	BH8180001	BH8180002
2	Front Cover	BH8180003	BH8180004	BH8180003	BH8180004
3	Element End Cover Set	BH8180005	BH8180006	BH8180005	BH8180006
4	Junction Box Cover & Seal Set	BH8180007	BH8180007	BH8180007	BH8180007
5	Mounting Bracket Set (Short)	BH8180008	BH8180008	BH8180008	BH8180008
6	Mounting Bracket Set (Long)	BH8180009	BH8180009	BH8180009	BH8180009
7	Ceiling Recess Kit	BH8180010	BH8180011	BH8180010	BH8180011
8	Tube Suspension Kit	BH8180012	BH8180012	BH8180012	BH8180012
9	Chain Suspension Kit	BH8180013	BH8180013	BH8180013	BH8180013

## TROUBLESHOOTING

SYMPTOM	POSSIBLE CAUSE (S)	CORRECTIVE ACTION
Element does not energize	1. Defective element 2. Improper connection	1. Replace element 2. Check connection to power outlet
Not enough heat	1. Heater too small for application 2. Heater mounted too high or too far	1. Add additional heater(s) 2. Decrease mounting height or distance
Too much heat	1. Heater too large for application 2. Heater mount too low or too close	1. Replace with smaller heater 2. Increase mounting height or distance
Hot spot in Tube	1. Heater is not level 2. Grease or moisture on tube	1. Adjust to level mount 2. Clear tube-replace if problem persists