

patioSchwank



Limitless infrared heating options for your outdoor space.



www.patioschwank.com

Welcome to patioSchwank

Explore outdoor patio design applications using the latest infrared heating technology

- Save on fuel costs per month, thanks to innovative infrared technology.
- Provides permanent use of the outdoor area, even on colder days to increase revenue available per square foot.
- Emit a pleasing, ambient glow.
- Space-saving wall, ceiling, post-mounted or recessed installation options.
- Uniform distribution of heat from the smallest patio spaces to very large outdoor spaces and various application designs.
- Made in North America to sustain the varying environmental factors, plus a 1-3 year manufacturer warranty.**
- Rely on our design team for complimentary design and quotation support services. Schwank authorized partners provide nationwide sales, design and quotation support.
- UL Certified for North America.

**[4000 series products are manufactured offshore].



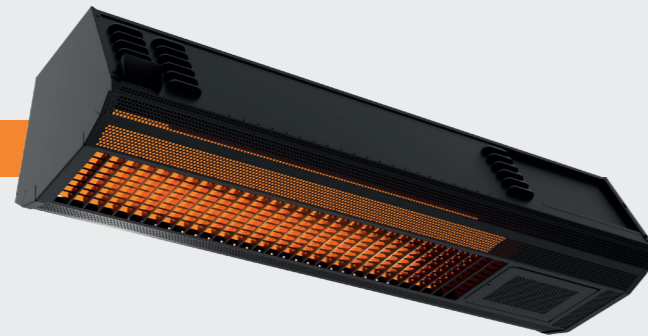
Schwank outdoor heater product portfolio

patioSchwank

Proven innovation and premium quality construction

supremeSchwank

Sustainability

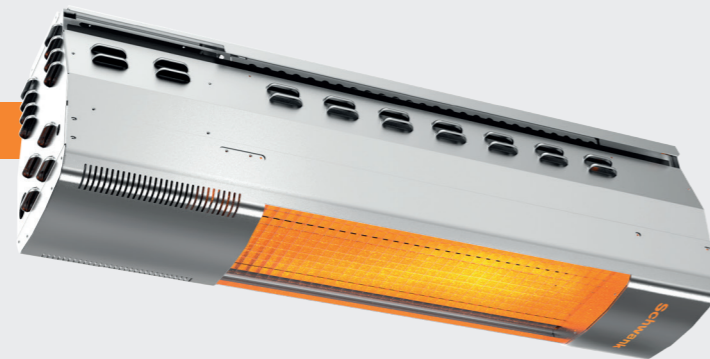


- Available in 3 model sizes
- 23,000, 35,000 and 50,000 input BTU/hr
- 30.5"-48.25" heater length
- Available in single-stage and 2-stage
- Mounting options include wall, ceiling and post-mount
- 8ft and up mounting heights
- Made with 316 Marine Grade stainless steel



bistroSchwank

Versatile

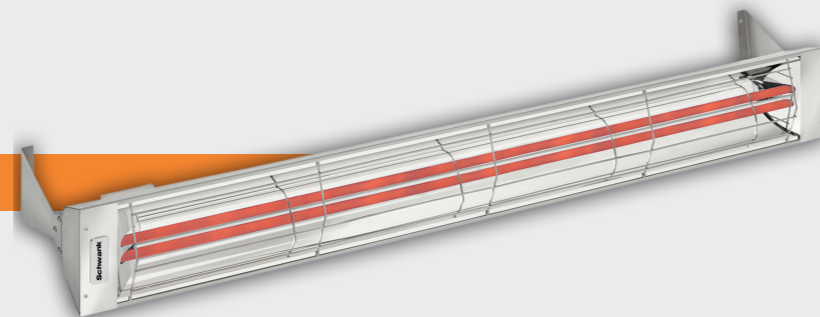


- 35,000 and 50,000 input BTU/hr
- 44" heater length
- Available in single-stage and 2-stage
- Mounting options include wall, ceiling and post-mount
- 9ft and up mounting heights
- Made with 316 Marine Grade stainless steel
- Optional faceplate available



electricSchwank

Streamlined possibilities



- 500-6,000 Watts
- 120V, 208V, 240V, 277V, and 480V options
- 19.5"-61.25" heater length
- Available in single-stage and 2-stage
- Mounting options include ceiling, flush mount/ recessed and post-mount
- Outdoor mounting heights from 6'-14'



Schwank outdoor heater product portfolio

patioSchwank

Proven innovation and premium quality construction

comfortSchwank

Economical



- 40,000-200,000 input BTU/hr
- Many sizes from 10'-70' heater length
- Available in single-stage and 2-stage
- Overhead mount
- 8ft and up mounting heights
- Powder coated cabinet or a complete stainless steel option
- Tuxedo grill optional



parasolSchwank

Portable



- Heavy duty commercial grade
- 38,000 input BTU/hr
- 90" x 32" heater dimensions
- Available in single-stage
- Fixed-mount and portable
- Made of durable stainless steel to avoid denting
- Easy to ignite and adjust heat with a turn control



Climate controls

Smart patioSchwank controls



- Multiple control options available
- Patio panel control
- Available in single-switch, double-switch, and triple-switch models
- Control options for 1-multiple zones [no limits] with variations from 1-12 heaters
- Remote control





supremeSchwank

Sustainability



→ Features:

- 23,000, 35,000 and 50,000 input BTU/hr
- 30.5"- 48.25" heater length
- Available in single-stage and 2-stage
- Mounting options include wall, ceiling and post-mount
- 8ft and up mounting height for comfort
- Special insulated cabinet allows for closest mounting heights
- Control options include single/double/triple switch, patio panel, and remote
- Attractive black finish
- Made with 316 Marine Grade Stainless Steel
- Perfect for restaurant, hospitality, retail applications

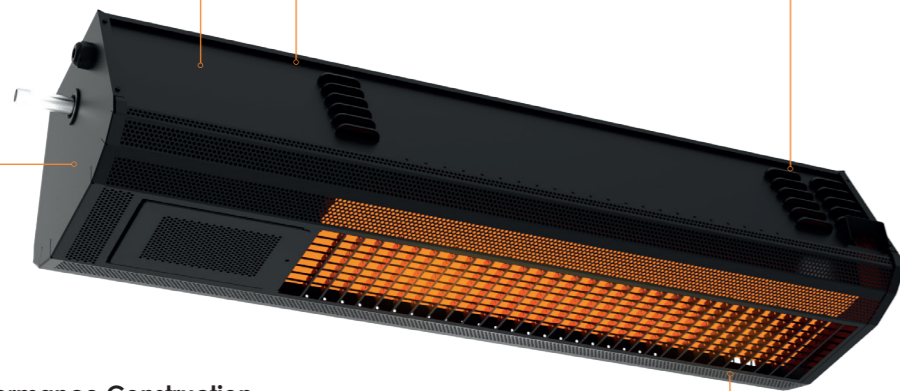
→ 2300 Series Models

Flexible Mounting Options.
An insulated cabinet means you can mount much closer than others.

Schwank Patent Ceramic Tile Design.
Provide high-intensity heat, with quick ramp-up time and energy-efficient heat distribution.

Serviceability.
Access to the control panel for ease of serviceability.

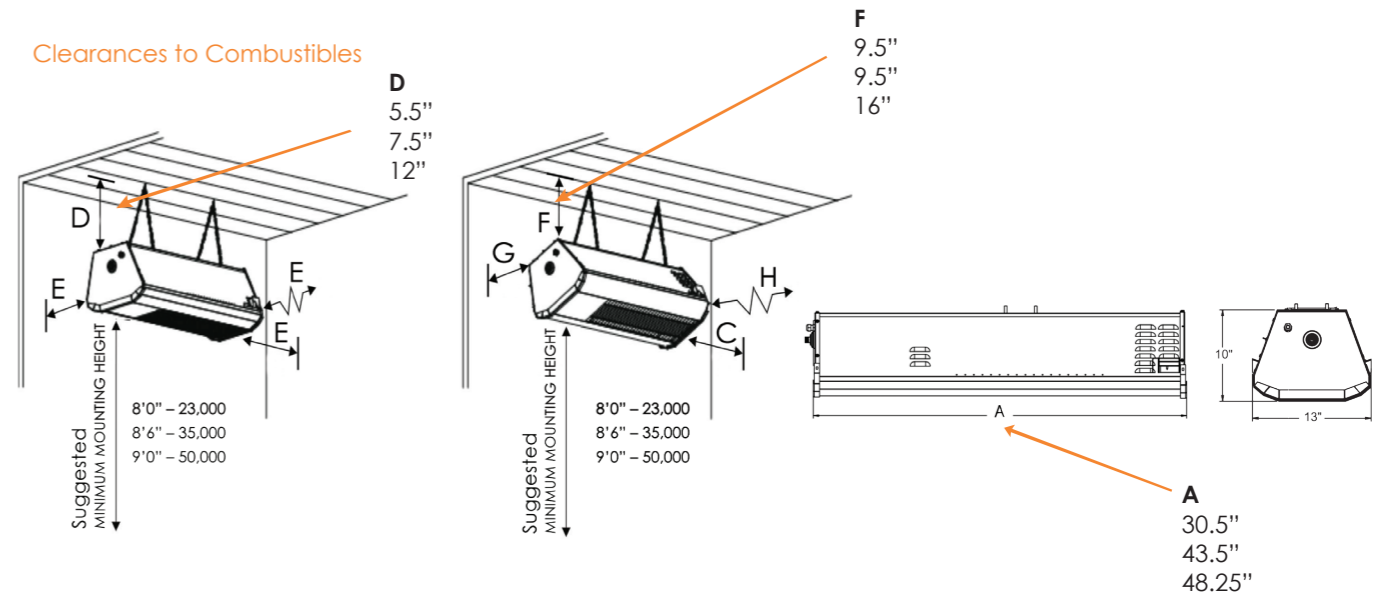
Premium Performance Construction.
Marine Grade 316 stainless steel construction.



Blend Seamlessly.
This black coating allows the heater to blend into the patio or outdoor environment.

→ Dimensions

With a wide range of sizes and options available, choose the ideal heater to use in your outdoor space.



→ Specifications

Reference the specification guide below to help you select the correct solution for your needs.

MODEL	2312	2313-N/L	2352/N
Color		Black	
Fuel	NG	NG	NG
Input BTU/hr*	23,000	35,000	50,000/35,000
Weight LBS	43	44	49
Heater Length [A]	30 1/2"	43 1/2"	48 1/4"
Minimum Mounting Height	8'	8.6'	9.0'
Mounting Options			
Wall Mount	•	•	•
Wall Mount Arm Kit	•	•	•
Ceiling Mount	•	•	•
Post Mount	•	•	•
Recessed/Flush Mount			
Free Standing			
Control Options			
On/Off	•	•	•
Two-Stage	•	•	•
Panel	•	•	•
Remote	•	•	•

* [user manual has full details]

Versatile



→ Features:

- 35,000-50,000 input BTU/hr
- 44" heater length
- Available in single-stage and 2-stage
- Mounting options include wall, ceiling and post-mount
- 8ft and up mounting heights
- Control options include single/double/triple switch, patio panel, and remote
- Attractive black or stainless-steel finish
- Optional faceplate to add a modern design
- Made with 316 Marine Grade Stainless Steel
- Perfect for restaurant, hospitality, retail applications

→ 2100 Series Models

Flexible Mounting Options.
An insulated cabinet means you can mount much closer than others. Can combine 2100 + 2300 series on the same project!



Premium Performance Construction.
Marine Grade 316 stainless steel construction and weather-resistant housing.

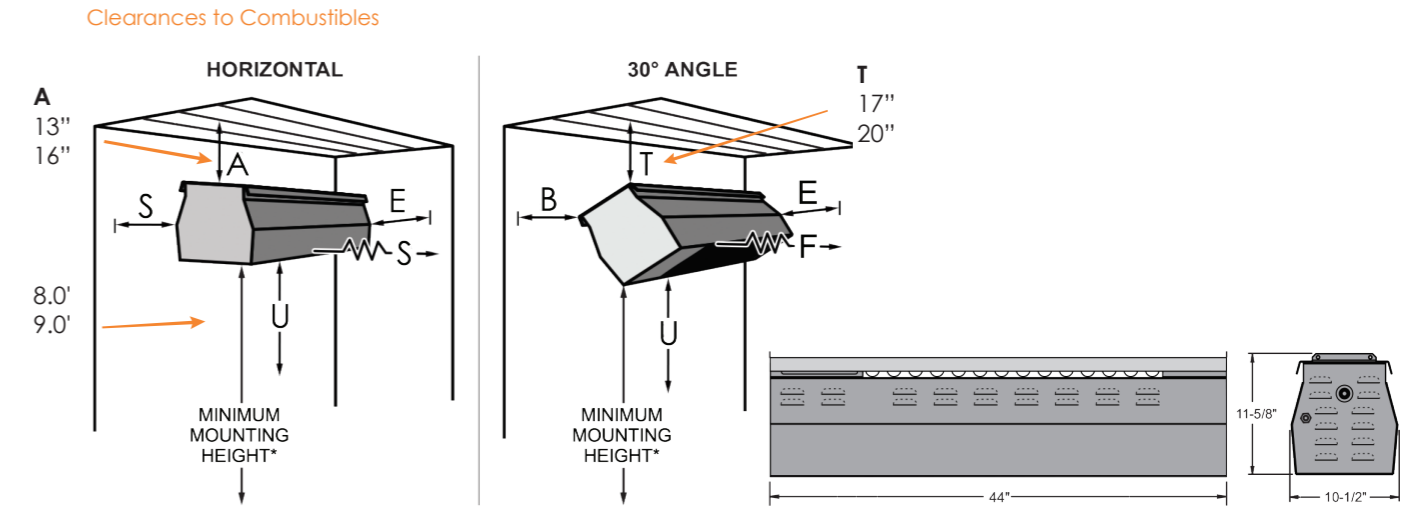
Schwank Patent Ceramic Tile Design.
Provide high-intensity heat, with quick ramp-up time and energy-efficient heat distribution.

Serviceability.
Access to the control panel for ease of serviceability.

Blend Seamlessly.
This black or stainless-steel finish allows the heater to blend into the patio or outdoor environment.

→ Dimensions

With a wide range of sizes and options available, choose the ideal heater to use in your outdoor space.



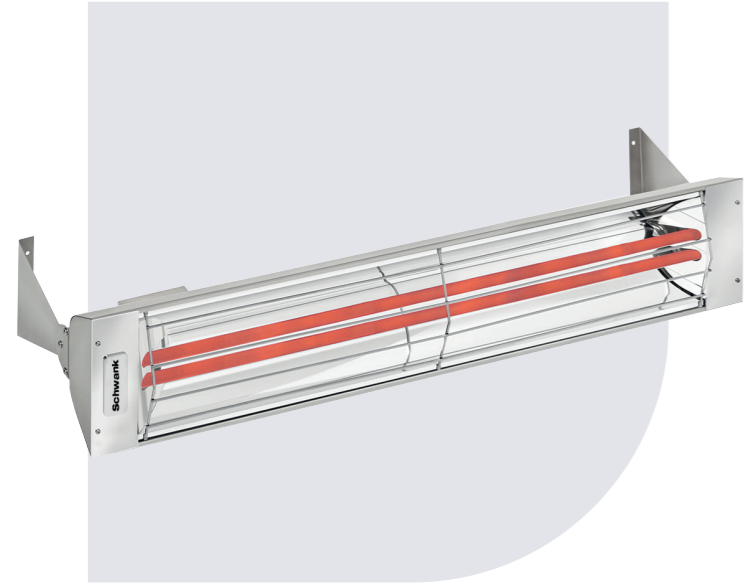
→ Specifications

Reference the specification guide below to help you select the correct solution for your needs.

MODEL	2135-N/L	2150-N/L	2152/N/L
Color		Black Stainless-Steel	
Fuel	NG	NG	NG
Input BTU/hr*	35,000	50,000	50,000/36,500
Weight LBS	39	44	44
Heater Length [A]	44"	44"	44"
Minimum Mounting Height	8.0'	9.0'	9.0'
Mounting Options			
Wall Mount	•	•	•
Wall Mount Arm Kit	•	•	•
Ceiling Mount	•	•	•
Post Mount	•	•	•
Recessed/Flush Mount			
Free Standing			
Control Options			
On/Off	•	•	•
Two-Stage	•	•	•
Panel	•	•	•
Remote			

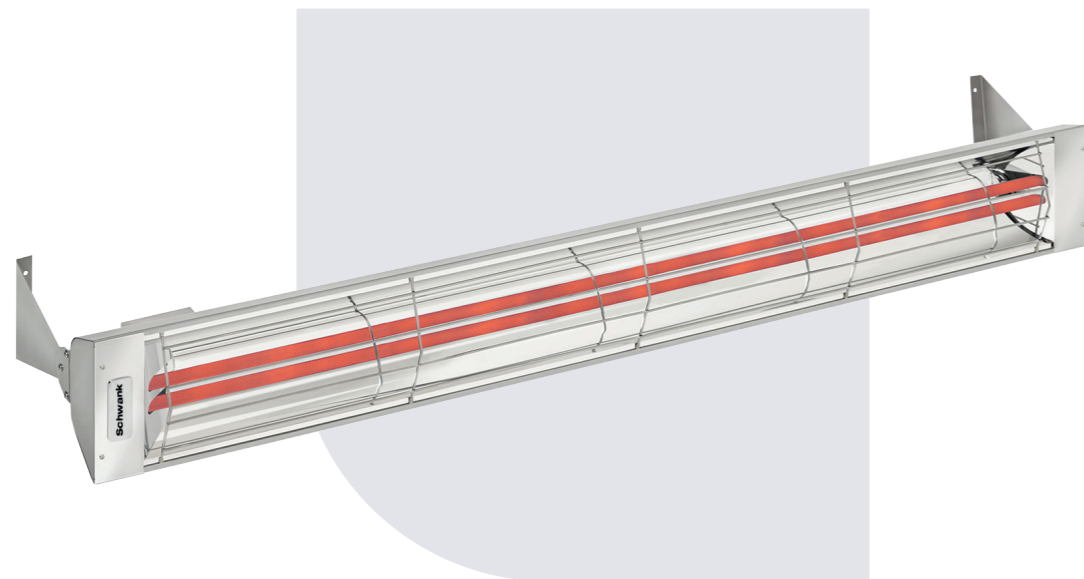
* [user manual has full details]

Streamlined possibilities



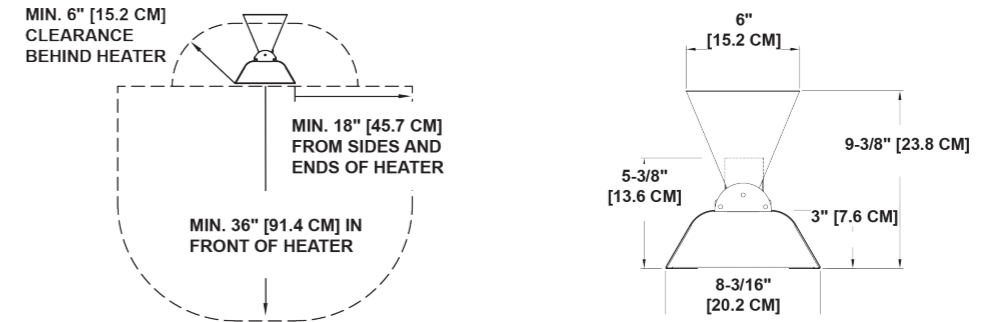
→ Features:

- 500-6,000 Watts
- 120V, 208V, 240V, 277V*, and 480V* options
- 19.5"-61.25" heater length
- Available in single-stage and 2-stage
- Mounting options include ceiling, flush mount/recessed and post-mount
- Control options include on/off, variable, and 2-stage
- Attractive stainless-steel finish – custom colors available in black, white, beige, and mineral bronze*
- Single bulb or double bulb, medium wave quartz bulbs
- Perfect for restaurant, hospitality, retail and sports stadium applications [indoor/outdoor]



→ Dimensions

With a wide range of sizes and options available, choose the ideal heater to use in your indoor/outdoor space.



→ Specifications

Reference the specification guide below to help you select the correct solution for your needs.

MODEL	ES-519	ES-719	ES-1033	ES-1533	ES-2039	ES-2539	ESD-3033	ES-3061	ESD-4039	ES-4061	ESD-5039	ESD-6061	
Color							Black	Stainless-Steel	White				
Fuel							Electric						
Weight LBS	10	10	12	12	13	13	13	20	14	20	14	21	
Heater Length [A]	19.5"	19.5"	33"	33"	39"	39"	33"	61.25"	39"	61.25"	39"	61.25"	
Voltage AC	120	120	120	120-240	208-480	208-480	208-480	208-480	208-480	208-480	208-480	208-480	
Current Amps	4.2	6.3	8.3	12.5-6.3	10-4	12-5	14-6	19-8.3	19-8.3	19-8.3	24-10.4	28.8-12.5	
Power [Watts]	500	750	1000	1500	2000	2500	3000	3000	4000	4000	5000	6000	
Mounting Options													
Wall Mount	•	•	•	•	•	•	•	•	•	•	•	•	
Ceiling Mount	•	•	•	•	•	•	•	•	•	•	•	•	
Post Mount	•	•	•	•	•	•	•	•	•	•	•	•	
Recessed/Flush Mount	•	•	•	•	•	•	•	•	•	•	•	•	
Free Standing													
Control Options													
On/Off	•	•	•	•	•	•	•	•	•	•	•	•	
Two-Stage	•	•	•	•	•	•	•	•	•	•	•	•	
Panel													
Remote													
Variable	•	•	•	•	•	•	•	•	•	•	•	•	

* [user manual has full details]

Economical



→ Features:

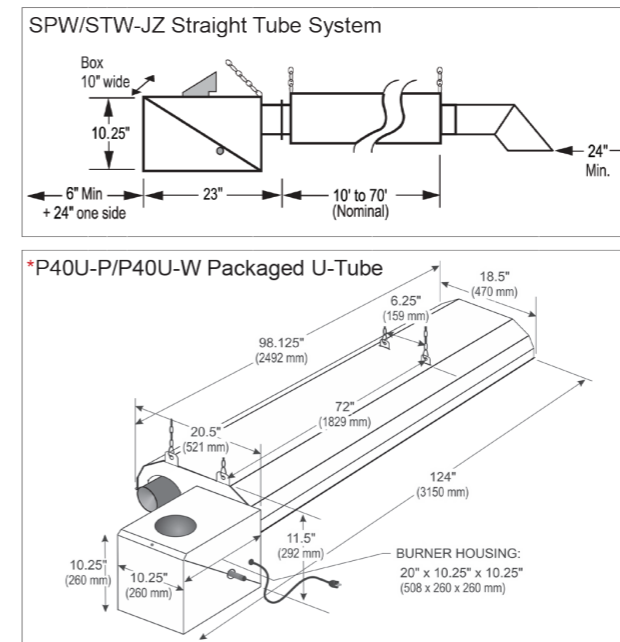
- 40,000-200,000 input BTU/hr
- 10'-70' heater length
- Available in single-stage and 2-stage
- Mounting options include overhead
- 8ft and up for mounting height for comfort
- Control options include patio panel and remote
- Attractive grey/stainless-steel finish
- Select the powder-coated, watertight cabinet or a complete stainless steel option
- Tuxedo grill [protective guard] option available
- Whisper-Jet technology for silent operation
- Corrosion & moisture resistant
- Perfect for restaurant, hospitality, retail applications

→ Optional accessories

- 4" Horizontal flue vent terminal [wall]
- 90° Elbow kit with reflector cap [combine with two 90° to create 180° elbow]
- #2 Lion chain
- Tuxedo grill-matte black 10ft kit [straight tubes only]
- Protective guard screen [P40U-P & P40-W only]

* [user manual has full details]

→ Dimensions and specifications



Gas Pressure	Line Minimum:	5" W.C. NG	11" W.C. LP
	Line Maximum:	14" W.C. NG	14" W.C. LP
Manifold		3.5" W.C. NG	10" W.C. LP

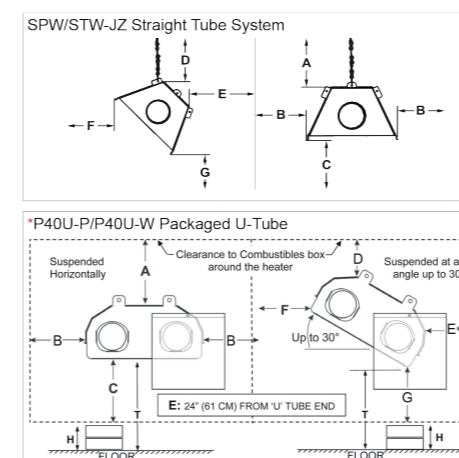
Gas Inlet	1/2"
Flue & Air Vent	4"
Electrical	120V, 60 HZ 1.5 AMPS

* High Altitude: De-rate heater 4% for each additional 1,000 ft. of elevation

MODEL	INPUT [BTU/hr] U.S.A.*: SEA LEVEL TO 2000 CANADA*: SEA LEVEL TO 4,500	HEATER LENGTH						
		10'	20'	30'	40'	50'	60'	70'
SPW/STW-JZ 200	200,000					●	●	●
SPW/STW-JZ 175	175,000					●	●	●
SPW/STW-JZ 155	150,000				●	●	●	
SPW/STW-JZ 130	130,000			●	●	●		
SPW/STW-JZ 110	110,000			●	●	●		
SPW/STW-JZ 80	80,000		●	●	●			
SPW/STW-JZ 60	60,000		●	●				
SPW/STW-JZ 45	45,000		●					
P40U-P/P40U-W*	40,000	●						
Shipping Weight LBS		100	150	200	240	315	360	430

→ Clearances to combustibles

Reference the specification guide below to help you select the correct solution for your needs.



MODEL	SUSPENDED AT AN ANGLE UP TO 45°				SUSPENDED HORIZONTALLY		
	D	E	F	G	A	B	C
SPW/STW-JZ 200	13"	6"	74"	70"	14"	44"	76"
SPW/STW-JZ 175	12"	6"	72"	68"	13"	42"	74"
SPW/STW-JZ 155	5.5"	1"	44"	64"	3.5"	19"	64"
SPW/STW-JZ 130	4.5"	1"	35"	60"	3.3"	11"	60"
SPW/STW-JZ 110	3.5"	1"	26"	54"	2"	10"	54"
SPW/STW-JZ 80	3"	1"	23"	38"	1.75"	6"	38"
SPW/STW-JZ 60	2.5"	1"	17"	34"	1.5"	5.5"	34"
SPW/STW-JZ 45	2.75"	1"	24"	32"	2.25"	7"	32"
P40U-P/P40U-W*	12"	12"	36"	55"	12"	24"	55"

Portable

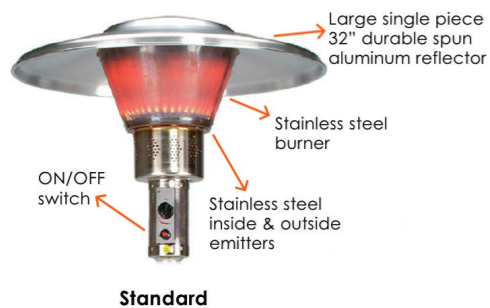


→ Features:

- Heavy duty commercial grade
- 38,000 input BTU/hr
- 90" x 32" heater dimensions
- Available in single-stage LP/NG
- Mounting options include fixed mount and portable
- Control options include on/off switch
- Attractive stainless-steel finish
- Easy portability
- Extra large propane tank container [20-30lbs], provides longer run times and less tank change overs
- Perfect for restaurant, hospitality, retail applications

→ Dimensions and specifications

Parasol 4000 - Fixed Mount Model



Parasol 4000 - Portable Model



Heavy-duty STURDY 4" diameter wheels:

- Easy tip and roll for portability
- Added stability

Portable:	FINISH	DIMENSIONS	INPUT BTU/hr	FUEL	GAS PRESSURE		INLET	GAS SUPPLY	WEIGHT LBS.
					MIN	MAX			
4005-CB	Stainless Steel	90" x 32"	38,000	LP	11" w.c.	14" w.c.	QCC	20 lb. cylinder	60
Fixed Mount:	FINISH	DIMENSIONS	INPUT BTU/hr	FUEL	GAS PRESSURE		INLET	GAS SUPPLY	WEIGHT LBS.
4SN5-CB	Stainless Steel	90" x 32"	38,000	NG	5" w.c.	7" w.c.	1/2"	Piped from central supply	60

Parasol 4000 is design certified by CSA International for use outdoors in accordance with current ANSI standards. Schwank warrants that the heater will operate as designed for wind conditions up to 10 MPH. Please note that adverse wind and weather conditions will reduce the effectiveness of any heating system.

Controls

Smart climate control options



→ Solid State controls - analog controller w/ digital timer

- Applies to electric heater models
- Control up to two 2-stage heaters with this switch or 2 zones of up to 8 heaters



→ Patio panel control:

- Mount directly onto the wall to easily control all of your patio heaters from one place



→ Switch controls:

- Single-switch, double-switch, and triple-switch control models
- Applies to 2-stage models
- Control options for 1-multiple zones [no limits] with variations from 1-12 heaters



→ Simple switch control:

- Applies to electric heaters
- Low cost control option for all single element heaters.



→ Remote control:

- Control up to 4 heaters [single-stage only] or 4 zones with this wireless remote

Experience creates security.

The name **Schwank** has been synonymous with high-quality and economical heating and cooling systems for decades.

As the market leader in gas infrared heating and air curtain systems, Schwank has extensive experience. We stand by our claim to deliver products and services of the highest quality and performance with ease of installation always top of mind. With Schwank, you rely on a premium trusted manufacturer.



North America

Customer Service – North America

Anna Cheng
Email: anna@cannedheat.com
Phone: 877.850.9458 – Ext 5

Technical Support – Eastern North America

Douglas Gibbons
Email: douglas@cannedheat.com
Phone: 905.442.7797

Technical Support – Western North America

Brandon Park
Email: brandonp@cannedheat.com
Phone: 778.939.4008

To Place an order in Canada

Western Canada Order Desk

Email: westcanorders@cannedheat.com
Phone: 877.850.9458 – Ext 3

Eastern Canada Order Desk

Email: eastcanorders@cannedheat.com
Phone: 877.850.9458 – Ext 4

To Place an order in the U.S.

USA Order desk

Email: usaorders@cannedheat.com
Phone: 877.850.9458 – Ext 2

