

Submittal Data

# electricSchwank

## ES-ESD Series Electric Medium Wave Infrared Heaters

Project

Schwank models #

Voltage  120V/IPH  208V/IPH  240V/IPH  277V/IPH  480V/IPH

Date submitted

### Features

#### Approvals/Certificates

UL Certification.

#### Element

Single or Dual Medium Wave quartz bulbs.

#### Heater material

High-grade anti-corrosive 304 Stainless-Steel construction (316 Marine grade available).

Standard color: Stainless-Steel with color options available.

#### Warranty

2-year warranty on components and parts.

#### Power Supply

- 120V, 208V, 240V, 277V, 480V, 60Hz, 1PH.
- Wiring components UL/CUL/CE listed for outdoor use with IPX4 minimum rating.

#### Mounting

- Standard wall and ceiling swivel brackets included.
- Optional recessed mounting kit.
- Standing 6" wall/ceiling swivel brackets included.

#### Electrical connection

Drilled for ½" conduit fittings.

Copper wire suitable for 90° C (194 F) must be used.

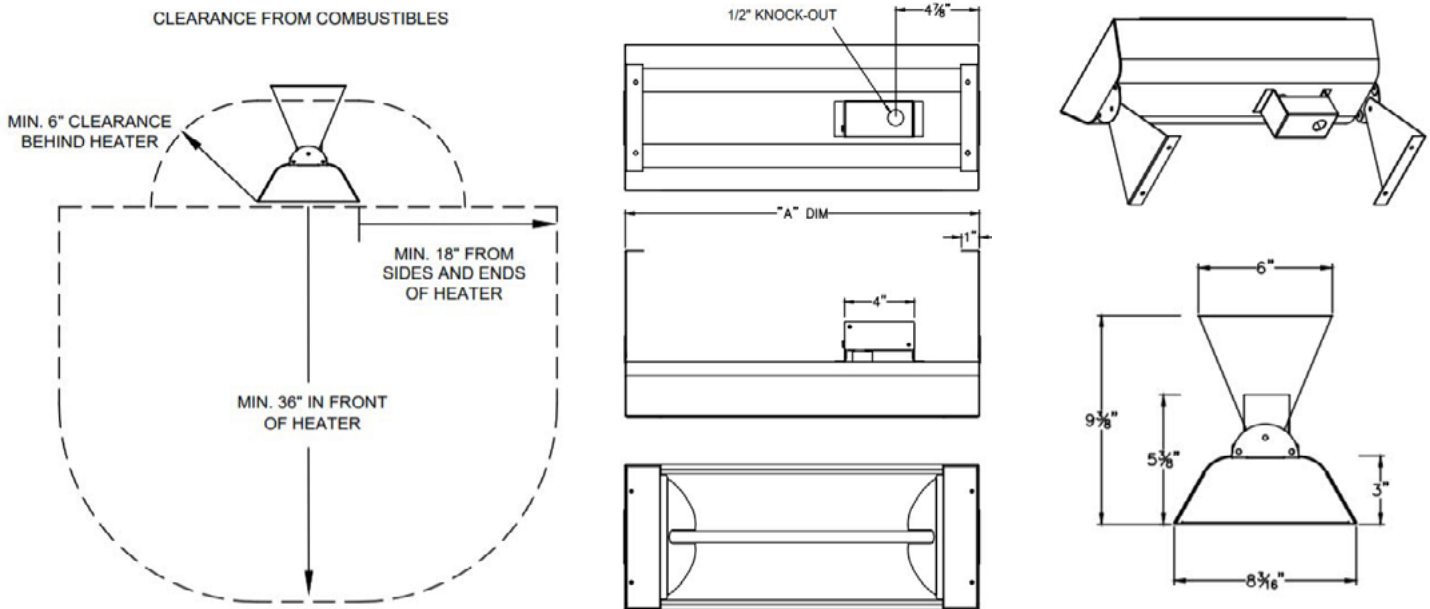
#### Controls

- Schwank.ONE.
- Relay Panel with zone analog intensity controller and digital timer.
- On/off control with optional weatherproof box.
- 2-stage control with optional weatherproof box.
- Variable control with optional weatherproof box.
- Electro-Mechanical Relay Package with 24V thermostatic control.

## Performance

Tag	Qty	Model Number	A-Length (in)	A - Length (cm)	Watts (BTUH)	Mounting Height	Volts (Phase)	Amps	Ship. Wgt.
		ES-1533	33"	83.8	1500 (5118)	8'	120V (1PH)	12.5	12
		ES-1533	33"	83.8	1500 (5118)	8'	208V (1PH)	7	12
		ES-1533	33"	83.8	1500 (5118)	8'	240V (1PH)	6.3	12
		ES-2039	39"	99	2000 (6824)	8' to 9'	208V (1PH)	10	13
		ES-2039	39"	99	2000 (6824)	8' to 9'	240V (1PH)	8.3	13
		ES-2039	39"	99	2000 (6824)	8' to 9'	277V (1PH)	7	13
		ES-2039	39"	99	2000 (6824)	8' to 9'	480V (1PH)	4	13
		ES-2539	39"	99	2500 (8530)	8' to 9'	208V (1PH)	12	13
		ES-2539	39"	99	2500 (8530)	8' to 9'	240V (1PH)	10.4	13
		ES-2539	39"	99	2500 (8530)	8' to 9'	277V (1PH)	9	13
		ES-2539	39"	99	2500 (8530)	8' to 9'	480V (1PH)	5	13
		ESD-3033	33"	83.8	3000 (10236)	8' to 9'	208V (1PH)	14	13
		ESD-3033	33"	83.8	3000 (10236)	8' to 9'	240V (1PH)	12.5	13
		ESD-3033	33"	83.8	3000 (10236)	8' to 9'	277V (1PH)	11	13
		ESD-3033	33"	83.8	3000 (10236)	8' to 9'	480V (1PH)	6	13
		ES-3061	61.25"	155.5	3000 (10236)	8' to 9'	208V (1PH)	19	20
		ES-3061	61.25"	155.5	3000 (10236)	8' to 9'	240V (1PH)	16.7	20
		ES-3061	61.25"	155.5	3000 (10236)	8' to 9'	277V (1PH)	14	20
		ES-3061	61.25"	155.5	3000 (10236)	8' to 9'	480V (1PH)	8.3	20
		ESD-4039	39"	99	4000 (13649)	8' to 12'	208V (1PH)	14	14
		ESD-4039	39"	99	4000 (13649)	8' to 12'	240V (1PH)	12.5	14
		ESD-4039	39"	99	4000 (13649)	8' to 12'	277V (1PH)	11	14
		ESD-4039	39"	99	4000 (13649)	8' to 12'	480V (1PH)	6	14
		ES-4061	61.25"	155.5	4000 (13649)	8' to 11'	208V (1PH)	19	20
		ES-4061	61.25"	155.5	4000 (13649)	8' to 11'	240V (1PH)	16.7	20
		ES-4061	61.25"	155.5	4000 (13649)	8' to 11'	277V (1PH)	14	20
		ES-4061	61.25"	155.5	4000 (13649)	8' to 11'	480V (1PH)	8.3	20
		ESD-5039	39"	99	5000 (17061)	8' to 12'	208V (1PH)	24	14
		ESD-5039	39"	99	5000 (17061)	8' to 12'	240V (1PH)	20.8	14
		ESD-5039	39"	99	5000 (17061)	8' to 12'	277V (1PH)	18	14
		ESD-5039	39"	99	5000 (17061)	8' to 12'	480V (1PH)	10.4	14
		ESD-6061	61.25"	155.5	6000 (20473)	10' to 14'	208V (1PH)	28.8	21
		ESD-6061	61.25"	155.5	6000 (20473)	10' to 14'	240V (1PH)	25	21
		ESD-6061	61.25"	155.5	6000 (20473)	10' to 14'	277V (1PH)	21.7	21
		ESD-6061	61.25"	155.5	6000 (20473)	10' to 14'	480V (1PH)	12.5	21

## Dimensions



## On/Off Controls

Tag	Qty	Part #	Description	Electrical Voltage	Amps	Ship.Wgt.
		JM-4400-XX	Single - Flush Mount c/w S/S Wall Plate and Deep Gang Box	208/240/277V	20 Max	2
		JM-4405-XX	Dual - Flush Mount c/w S/S Wall Plate and Deep Gang Box	208/240/277V	20 Max	2
		JM-4410-XX	Single - Flush Mount c/w Weatherproof Cover	208/240/277V	20 Max	2
		JM-4415-XX	Dual - Flush Mount c/w Weatherproof Cover	208/240/277V	20 Max	2
		JM-4420-XX	Single - Surface Mount c/w Weatherproof Gang Box and Cover	208/240/277V	20 Max	2
		JM-4425-XX	Dual - Surface Mount c/w Weatherproof Gang Box and Cover	208/240/277V	20 Max	3

## Two-stage Controls

Tag	Qty	Part #	Description	Ship. Wgt.
		JM-4300-XX	Single Duplex - Flush Mount c/w S/S Wall Plate and Gang Box	2
		JM-4305-XX	Dual Duplex - Flush Mount c/w S/S Wall Plate and Deep Box	2
		JM-4310-XX	Single Duplex - Flush Mount c/w Weatherproof Cover	2
		JM-4315-XX	Dual Duplex - Flush Mount c/w Weatherproof Cover	2
		JM-4320-XX	Single Duplex - Surface Mount c/w Weatherproof Box and Cover	2
		JM-4325-XX	Dual Duplex - Surface Mount c/w Weatherproof Box and Cover	2

Notes:

## Variable Controls

Tag	Qty	Part #	Description	Electrical Voltage	Ship. Wgt.
		JM-4200-XX	Single - Flush Mount c/w S/S Wall Plate and Deep Gang Box	240V	2
		JM-4205-XX	Dual - Flush Mount c/w S/S Wall Plate and Deep Gang Box	240V	2
		JM-4210-XX	Single - Flush Mount c/w Weatherproof Cover	240V	2
		JM-4215-XX	Dual - Flush Mount c/w Weatherproof Cover	240V	2
		JM-4220-XX	Single - Surface Mount c/w Weatherproof Gang Box and Cover	240V	2
		JM-4225-XX	Dual - Surface Mount c/w Weatherproof Gang Box and Cover	240V	3
		JM-4100-XX	Single - Flush Mount c/w S/S Wall Plate and Deep Gang Box	120V	
		JM-4105-XX	Dual - Flush Mount c/w S/S Wall Plate and Deep Gang Box	120V	
		JM-4110-XX	Single - Flush Mount c/w Weatherproof Cover	120V	
		JM-4115-XX	Dual - Flush Mount c/w Weatherproof Cover	120V	
		JM-4120-XX	Single - Surface Mount c/w Weatherproof Gang Box and Cover	120V	
		JM-4125-XX	Dual - Surface Mount c/w Weatherproof Gang Box and Cover	120V	

Notes: Designed for use with single-bulb up to 3000W.

## Solid State Relay Panel

Tag	Qty	Part #	Description	Dimensions
		JM-4051-XX	1 Relay Control Panel	16 x 14 x 7
		JM-4052-XX	2 Relay Control Panel	16 x 14 x 7
		JM-4053-XX	3 Relay Control Panel	16 x 14 x 7
		JM-4054-XX	4 Relay Control Panel	16 x 14 x 7
		JM-4055-XX	5 Relay Control Panel	20 x 18 x 7
		JM-4056-XX	6 Relay Control Panel	20 x 18 x 7

## Zone Analog Controller

Tag	Qty	Part #	Description	Exterior Dimensions	Face Plate Dimensions
		JM-4045-XX	1 Zone Analog Controller with Digital Timer	(4-1/2" x 6-3/4" x 2-1/2")	(5-1/2" x 7-3/4")
		JM-4046-XX	2 Zone Analog Controller with Digital Timer	(4-1/2" x 12-1/4" x 2-1/2")	(5-1/2" x 13-3/16")
		JM-4047-XX	3 Zone Analog Controller with Digital Timer	(4-1/2" x 14-3/16" x 2-1/2")	(5-1/2" x 15")
		JM-4048-XX	4 Zone Analog Controller with Digital Timer	(4-1/2" x 17-3/4" x 2-1/2")	(5-1/2" x 18-3/4")

## Home Management Relay Panel

Tag	Qty	Part #	Description	Dimensions
		JM-4061-XX	1 Relay Home Management Control Panel	20" X 17" X 7"
		JM-4062-XX	2 Relay Home Management Control Panel	20" X 17" X 7"
		JM-4063-XX	3 Relay Home Management Control Panel	20" X 17" X 7"
		JM-4064-XX	4 Relay Home Management Control Panel	20" X 17" X 7"
		JM-4065-XX	5 Relay Home Management Control Panel	24" X 21" X 7"
		JM-4066-XX	6 Relay Home Management Control Panel	24" X 21" X 7"

Notes:

## Recessed Mounting Options

Tag	Qty	Part #	Model	Description
			JE-0520-33	33" recessed mount frame S/S
			JE-0520-3	39" recessed mount frame S/S
			JE-0520-6	61.25" recessed mount frame S/S

## Recessed Kits Custom Color Options

Tag	Qty	Part #	Color
		JE-0520-BK	Black
		JE-0520-WH	White

## Heater Color Options

Tag	Qty	Part #	Color
		JE-0500-AL	Almond
		JE-0500-BE	Beige
		JE-0500-BK	Black Textured
		JE-0500-BR	Mineral Bronze
		JE-0500-BS	Biscuit
		JE-0500-WH	White

Notes: Contact your Schwank representative for information on how to order colored heaters & frame kits.

## Additional Items

Tag	Qty	Part #	Description
		JM-060X-XX	Schwank.ONE Controller (See Separate Detailed Schwank.ONE Submittal Document)