

**SUBMITTAL
DATA**



**Relay Panel &
Analog Control**
**for electricSchwank
Heaters**

PROJECT	
ENGINEER	
CONTRACTOR	
DISTRIBUTOR	
APPROVED BY	
DATE	
APPROVAL #	

Introduction

Solid state relay panels are used with analog controllers to power and operate electricSchwank heaters of all sizes. They provide a single point power connection and also allow for intensity adjustment. Each analog controller comes with a timer.

QTY	Part #	Description
<input type="checkbox"/>	JM-4051-XX	1 Relay Control Panel
<input type="checkbox"/>	JM-4052-XX	2 Relay Control Panel
<input type="checkbox"/>	JM-4053-XX	3 Relay Control Panel
<input type="checkbox"/>	JM-4054-XX	4 Relay Control Panel
<input type="checkbox"/>	JM-4055-XX	5 Relay Control Panel
<input type="checkbox"/>	JM-4056-XX	6 Relay Control Panel



QTY	Part #	Description
<input type="checkbox"/>	JM-4045-XX	1 Zone Analog Controller with Digital Timer
<input type="checkbox"/>	JM-4046-XX	2 Zone Analog Controller with Digital Timer
<input type="checkbox"/>	JM-4047-XX	3 Zone Analog Controller with Digital Timer
<input type="checkbox"/>	JM-4048-XX	4 Zone Analog Controller with Digital Timer



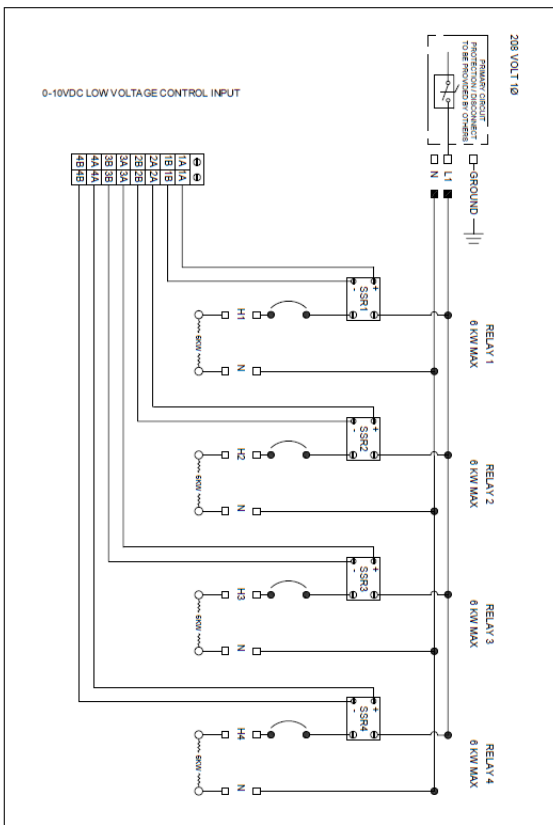
Solid State Relay Panels

Voltage	<input type="checkbox"/> 480V 3ph 60hz, <input type="checkbox"/> 277V 1ph 60h <input type="checkbox"/> 120V 1ph 60hz, <input type="checkbox"/> 208V 1ph 60hz, <input type="checkbox"/> 240V 1ph 60hz
Enclosure	NEMA 4
Dimensions	<input type="checkbox"/> 1 Relay Panel 16" x 14" x 7", weight: 40 lbs <input type="checkbox"/> 2 Relay Panel 16" x 14" x 7", weight: 40 lbs <input type="checkbox"/> 3 Relay Panel 16" x 14" x 7", weight: 40 lbs <input type="checkbox"/> 4 Relay Panel 16" x 14" x 7", weight: 40 lbs <input type="checkbox"/> 5 Relay Panel 20" x 18" x 7", weight: 50 lbs <input type="checkbox"/> 6 Relay Panel 20" x 18" x 7", weight: 50 lbs
Relays	Zero Switching Style with built in Varistor. Rated currents available and installed based on heater selection. 25A, 50A, 75A, 100A
Listing	ETL, CUL

Zone Analog Controllers

Voltage	<input type="checkbox"/> 120V 1ph 60hz,
Enclosure	NEMA 12
Dimensions (box dimensions – wall cutout)	1 Zone Analog Controller w/ Digital Timer 4-1/2" x 6-3/4" x 2-1/2" 2 Zone Analog Controller w/ Digital Timer 4-1/2" x 12-1/4" x 2-1/2" 3 Zone Analog Controller w/ Digital Timer 4-1/2" x 14-3/16" x 2-1/2" 4 Zone Analog Controller w/ Digital Timer 4-1/2" x 17-3/4" x 2-1/2"

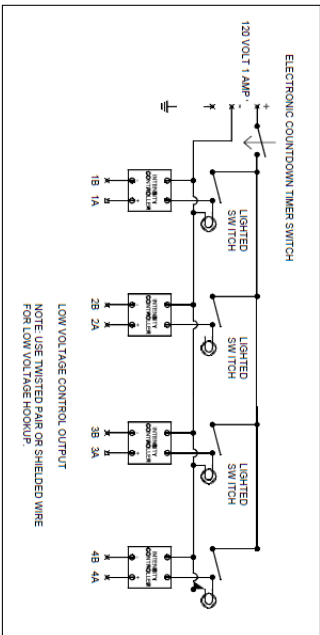
Sample Wire Diagram



4 RELAY PANEL CONTROLLER



NOTE: It is the responsibility of the installing contractor that the installation of all Infra-Red heating equipment & operating controls are in accordance with all applicable codes and manufacturers specifications.



4 ZONE ANALOG CONTROLLER WITH TIMER

Your authorization and final acceptance of this drawing is required before further processing can take place. To accept this layout and configuration, please sign below and email. All sales final. Thank you!

Name _____
 Date _____

IMPORTANT:
 1. This typical layout is based upon the information supplied and is advisory only.

4 RELAY PANEL AND 4 ZONE ANALOG CONTROL	
JOB NUMBER	REGIONAL MANAGER
SF-XXXX	--
DATE	06/07/22