

# RAINBOW

THE ORIGINAL 180° FULL FOLD, INSIDE FIT,  
ZERO CLEARANCE FIREPLACE DOOR

## OWNER'S MANUAL

---

---

**IMPORTANT:** Read all instructions before starting installation. Failure to follow these installation instructions as detailed may result in a possible fire hazard and will void the warranty.

For proper use and care of your fireplace, please follow the guidelines below:

- Always use a grate for fires.
  - Make sure the front of the grate is at least 6" back from the door.
  - Keep combustibles away from front of the door.
  - Do not clean glass doors while they are hot.
  - When burning fire, the doors and the chimney damper must be fully open and the mesh curtain fully closed.
  - Install and use only after consulting with local building and fire regulations, and in accordance with the installation and operating instructions provided.
  - Inspect and clean chimney regularly.
- 
- 

MADE IN USA BY



**HEARTH CRAFT**  
A Division of BottomLine Management, Inc.

1410 Johnson Lane,  
Clarksville, IN 47129  
[www.hearthcraft.com](http://www.hearthcraft.com)



# CARE & MAINTENANCE

## **IMPORTANT INFORMATION: Please read before installing your enclosure**

**ACID HEARTH:** Newly constructed fireplaces are cleaned with acid to remove extra mortar. Unless removed, the acid will crystallize in the brick pores and emit gas which may damage the finish on the fireplace fixtures or other nearby metal objects. "Acid Hearth" damages brass, steel and iron. This condition can prevail for a year or longer unless corrected. Consult your mason for correction.

The following suggestion, while not a guaranteed remedy, may aid in correcting this condition.

1. Saturate the hearth area with a solution of household ammonia or hearth cleaner. Use care to avoid contact with adjacent carpet, floor, etc.
2. Rinse thoroughly with warm water or hot water.
3. Rinse several times with cool water to remove all ammonia.
4. Allow hearth area to dry and seal with a hearth sealer.

### **FIXTURES DAMAGED BY "ACID HEARTH" ARE NOT CONSIDERED MANUFACTURING DEFECTS AND THEREFORE WILL VOID WARRANTY**

**ASH DISPOSAL:** Ashes should be placed in a metal container with a tight-fitting lid. The closed container of ashes should be placed on a non-combustible floor or on the ground, well away from all combustible materials, pending final disposal. If the ashes are disposed of by burial in soil or otherwise locally dispersed, they should be retained in the closed container until all cinders have thoroughly cooled.

**CREOSOTE-FORMATION & NEED FOR REMOVAL:** When wood is burned slowly, it produces tar and other organic vapors which combine with expelled moisture to form creosote. The creosote vapors condense in the relatively cool chimney flue of a slow burning fire. As a result, creosote residue accumulates on the flue lining. When ignited, this creosote makes an extremely hot fire. The chimney connector and chimney should be inspected at least twice monthly during the heating season to determine if a creosote buildup has occurred. If creosote has accumulated, it should be removed to reduce the risk of a chimney fire.

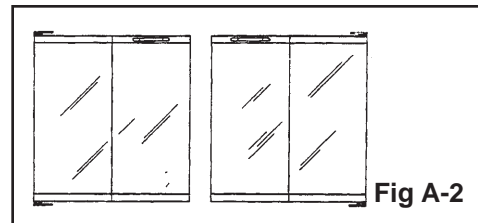
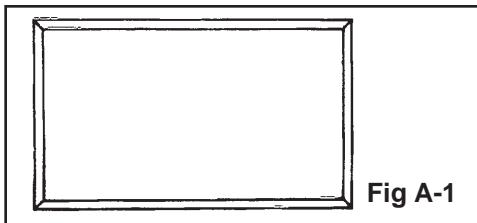
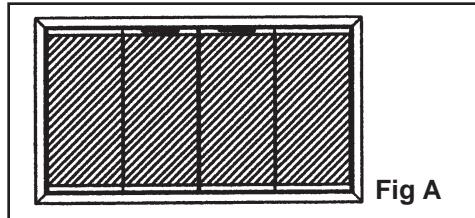
**MAINTENANCE:** Your glass enclosure is built to require very little maintenance. It is suggested, however, that you perform the following procedures as required to maintain the original attractive appearance of the glass enclosure.

- **Care of Glass:** The glass in the doors has been specifically treated for use with fireplaces. This glass is eight times stronger than conventional plate glass, but it is possible to break the glass through abuse by overheating it, or by blocking any of the air intakes. The glass can be cleaned when completely cooled with most household cleaners.
- **Care of Frame:** Your enclosure is covered with a durable anodized finish to prevent peeling, chipping and scratching. **DO NOT POLISH THE FINISH.** When cleaning is required, use a mild liquid detergent and a soft cloth. **DO NOT USE** an acid base or abrasive cleaner.
- **Replacement Parts:** Use only specified replacement parts available from your dealer. Do not use substitute parts.

# WHAT IS IN THE BOX !

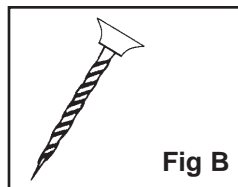
---

- Your Fireplace Door (also referred to as a Fireplace Glass Enclosure) Figure A. This Door consists of a “Frame” (Fig A-1) and a “Door-Set” (Fig. A-2).

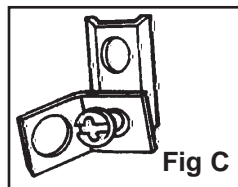


- A Mounting Kit. We have provided all the hardware you may need for the two most common mounting options we can envision. We have named these two options “Standard” and “Optional” mounting. A Mounting kit consists of the following parts:

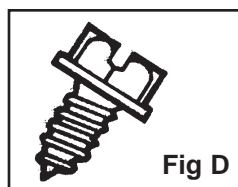
- #8 X 2” SMS R-Bow, Fig. B, Qty. 5 (Part No. 42-60145).



- Recessed Hanger with Screw, Fig. C, Qty. 4 (Part No. 42-92020).



- Hex Screw 1/4” X 1/2” AB, Fig. D, Qty 4 (No. 42-60040).

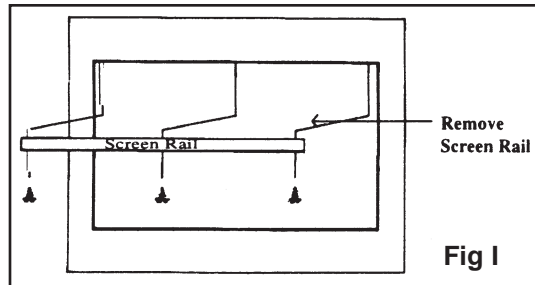


# STANDARD MOUNTING

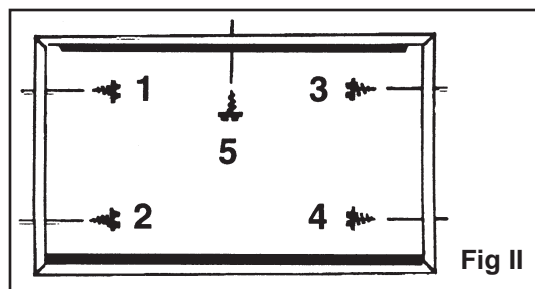
---

---

1. Please note the protective film on the door. This is to prevent scratching. Do not peel off at this time.
2. Some fireboxes have a screen rail, and/or screen retaining clips, and it may be necessary to remove them. See Figure I



3. Remove the door from the box, and place into the opening of the firebox (finished side facing you), and align in position where it is to be installed. Make sure once set in place, it is level and plumb. We recommend you use a level to do this.
4. There are predrilled holes on the frame of the door, one in the middle of the top bar, and two on each upright.
5. Mark the above holes (#1 through #5) to be drilled as illustrated in Fig. II.



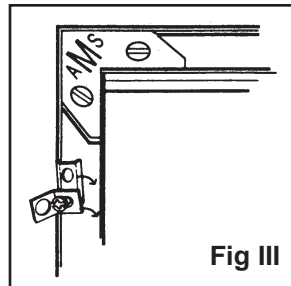
6. Remove the door from the opening, and using a 3/32" drill bit, drill the firebox where you had just marked for holes #1 through # 5.
  7. Carefully remove the protective film from the door frame.
  8. Place the door back into the firebox opening and align the holes on the door frame, with the ones you just drilled.
  9. Use the #8 X 2" screws (Fig B) and fasten the door frame to the firebox.
  10. Peel off any remaining protective film, and make sure you have removed all packing materials.
- 
-

# OPTIONAL MOUNTING

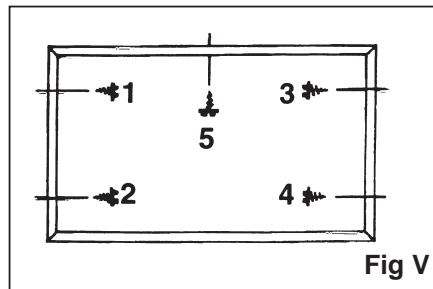
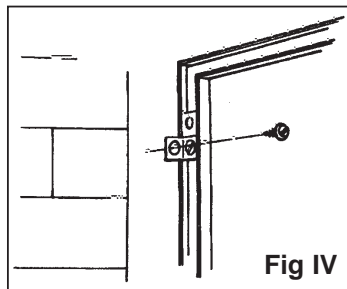
---

---

1. Please note the protective film on the door. This is to prevent scratching. Do not peel off at this time.
2. Remove the door from the box and lay it flat, face down on a level and smooth surface.
3. Place the 4 “Recessed Hanger with Screws” (Fig. C), 3 inches from each corner on the right and left uprights as illustrated in Figure III, and tighten screws.



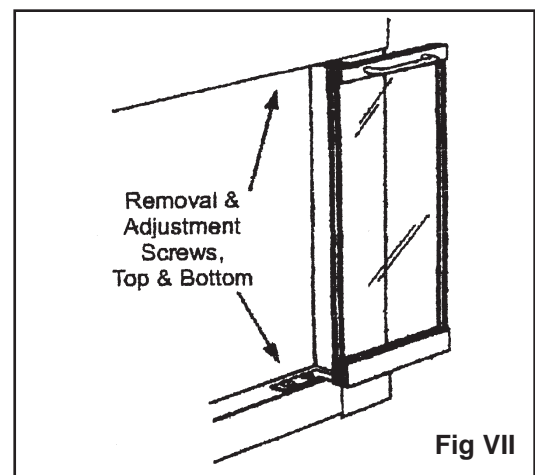
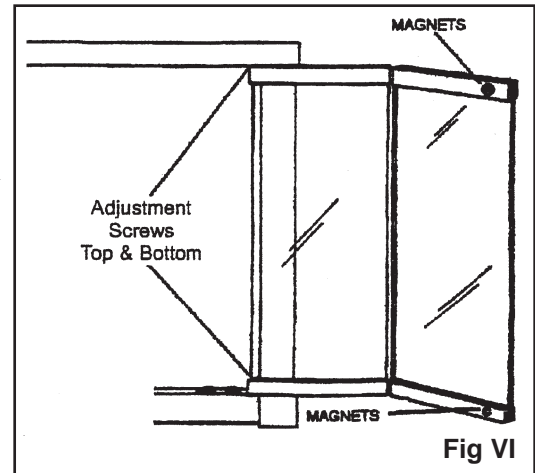
4. Place the door into the opening of the firebox (finished side facing you), and align in position where it is to be installed. Make sure once in place, it is level and plumb. We recommend you use a level to achieve this.
5. Mark holes #1 through #4 to be drilled as illustrated in Fig IV. Mark hole #5 through the door frame as illustrated in Fig. V.



6. Remove the door from the firebox. Using a 3/16” drill bit, drill holes #1 through #4 (Fig IV). Using a 3/32” drill bit, drill hole #5 (Fig. V).
  7. Carefully peel off the protective film from the door frame. Place the door back into the fireplace opening, and align the door and the brackets (Fig. C) with the holes you just drilled.
  8. Use the 4 “Hex Screws” (Fig. D) for the left and right side holes, and one “#8 screw” (Fig. B) for the hole in the top bar to fasten the door to the firebox (Fig. IV and Fig. V).
  9. Peel off any remaining protective film, and make sure you have removed all packaging materials.
- 
-

# USEFUL INFORMATION

**Adjusting the Door-Set:** Sometimes due to vibrations during transportation, or as a result of handling, the door-set may get out of adjustment. To Adjust the door-set, first make sure the frame is plum in the fireplace. Once you have established that, look at the trim around the glass. This is the most likely place where an adjustment may be needed. The glass may have shifted causing a gap between the end of the glass and the end caps, or it may have moved from side to side. Using a rubber mallet, gently tap the end caps until they are against the glass or tap the glass until it is centered with the cap. Again, these end caps and the glass may be tapped into position. **DO NOT USE A METAL FACED HAMMER** or any other hard object which may cause you to inadvertently dent or ding the caps, or chip the glass. You are looking for a 1/8" gap between the two center pieces of glass and a 1/16" gap (or less) between the two pieces of glass on each half of the door-set, and you should end up with about a 3/16" to 1/4" gap between the two outer panels of glass and the frame. Once the above procedure is done, and the door-set still needs adjustment, or alignment, then slightly loosen frame hinge screw on top and bottom (Fig VI), adjust the door-set left to right or front to back as required, and tighten screws firmly.



**Removing the Door-Set:** If for some reason you need to remove the door-set, it is recommended that you call your installer. If it is not possible, or you want to do it yourself, then please follow the procedures outlined below:

- a. Open the door-set to the full fold position (all the way opened, and folded against the frame).
- b. Remove the 2 screws in the lower hinge (Fig VII).
- c. Remove the 2 screws in the top hinge (Fig VII).
- d. Lean the door-set forward to remove.
- e. Repeat for the other side.

**Adjusting the Door Frame:** There are 4 AMS corner brackets on the back of the frame (Fig III Page 4). These brackets have been factory tightened. However, it is possible that during transportation, and handling, they may loosen, and create a separation at the miter. Make sure all four mitered corners are properly aligned. To adjust alignment use a 1/4" flat head screwdriver, and loosen the 2 screws in the AMS bracket. Align the miter and firmly re-tighten the screws. Repeat this on the other corners if necessary.

# ONE YEAR LIMITED WARRANTY

This product is warranted by the manufacturer to the original retail buyer for one (1) year from date of purchase against defects in materials and workmanship. This includes any implied warranties of merchantability and fitness for a particular purpose which are also limited in duration to one (1) year from the original purchase of this product.

This warranty covers only parts, and applies only to products purchased for consumer use. This warranty does not apply to color changes in the finish resulting from contact with flames or burning embers and does not cover damages which occur in transit or result from alteration, accident, misuse, abuse, acid hearth or improper installation. The manufacturer shall not be liable for consequential or indirect damages which are caused by defects in its repair and replacement.

If this product does not conform to this warranty contact your dealer. Proof of the original purchase will be required.

This warranty give you specific legal rights and you may have other rights which vary from state to state.

HC PN 42-00043 090102



1410 Johnson Lane,  
Clarksville, IN 47129  
[www.hearthcraft.com](http://www.hearthcraft.com)