

# INSTALLATION AND OPERATION INSTRUCTIONS

Rainbow™ Series Glass & Track  
Glass Doors By HEARTH CRAFT  
MODELS: Glass & Track

Wamock Hor



# RAINBOW

## GLASS & TRACK

**IMPORTANT:** Read all instructions before starting installation. Failure to follow these installation instructions as detailed may result in a possible fire hazard and will void the warranty.

You have purchased an attractive quality addition for your fireplace. For proper use and care of your fireplace, please follow the rules:

- Always use a grate for fires.
- Keep combustibles away from the front of the screen.
- Do not clean glass doors while they are hot.
- Open and close doors evenly and fully.
- Before installation consult with local building and fire officials concerning any installation restrictions or need for inspection of the fireplace accessory installation.

Manufactured by

**HEARTH CRAFT**

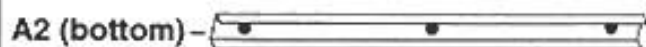
A Division of BottomLine Management, Inc.

1410 Johnson Lane  
Clarksville, IN 47129

# MOUNTING PARTS CHECKLIST

## A

Description:  
FRAME  
Quantity: 1 top and 1 bottom



## B

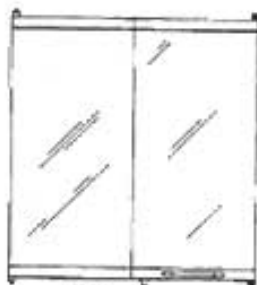
Description:  
AB HEX SM SCREW #6 x 2"  
Quantity: 6  
(Installation Screws)

(Use 2 small screws in  
center holes)



## C

Description:  
Door Sets  
Quantity: 1 Left and 1 Right



Part C2



Part C1

**REMOVE ALL PARTS FROM HARDWARE KIT AND THE CARTON.  
TO ENSURE YOU HAVE ALL THE NECESSARY PARTS,  
MATCH UP PIECES WITH THE PARTS LISTED ABOVE.**

# CARE AND MAINTENANCE

## *IMPORTANT INFORMATION...Please read before installing your enclosure*

---

**ACID HEARTH:** Newly constructed fireplaces are cleaned with acid to remove extra mortar. Unless removed, the acid will crystallize in the brick pores and emit gas which may damage the finish on the fireplace fixtures or other nearby metal objects. "Acid Hearth" damages brass, steel and iron. This condition can prevail for a year or longer unless corrected. Consult your mason for correction.

The following suggestion, while not a guaranteed remedy, may aid in correcting this condition.

1. Saturate the hearth area with a solution of household ammonia or hearth cleaner. Use care to avoid contact with adjacent carpet, floor, etc.
2. Rinse thoroughly with warm water or hot water.
3. Rinse several times with cool water to remove all ammonia.
4. Allow hearth area to dry and seal with a hearth sealer.

*FIXTURES DAMAGED BY "ACID HEARTH" ARE NOT CONSIDERED  
MANUFACTURING DEFECTS AND THEREFORE WILL VOID WARRANTY*

**ASH DISPOSAL:** Ashes should be placed in a metal container with a tight-fitting lid. The closed container of ashes should be placed on a non-combustible floor or on the ground, well away from all combustible materials, pending final disposal. If the ashes are disposed of by burial in soil or otherwise locally dispersed, they should be retained in the closed container until all cinders have thoroughly cooled.

**CREOSOTE-FORMATION AND NEED FOR REMOVAL:** When wood is burned slowly, it produces tar and other organic vapors which combine with expelled moisture to form creosote. The creosote vapors condense in the relatively cool chimney flue of a slow burning fire. As a result, creosote residue accumulates on the flue lining. When ignited, this creosote makes an extremely hot fire. The chimney connector and chimney should be inspected at least twice monthly during the heating season to determine if a creosote buildup has occurred. If creosote has accumulated, it should be removed to reduce the risk of a chimney fire.

**MAINTENANCE:** Your glass enclosure is built to require very little maintenance. It is suggested, however, that you perform the following procedures as required to maintain the original attractive appearance of the glass enclosure.

**CARE OF GLASS:** The glass in the doors has been specifically treated for use with fireplaces. This glass is eight times stronger than conventional plate glass, but, it is possible to break the glass through abuse, by overheating it, or by blocking any of the air intakes. The glass can be cleaned when completely cooled with most household cleaners.

**CARE OF FRAME:** Your enclosure is covered with a durable anodized finish or a revolutionary polymer to prevent peeling, chipping and scratching. **DO NOT POLISH THE FINISH.** When cleaning is required, use a mild liquid detergent and a soft cloth. **DO NOT USE** an acid base or abrasive cleaner.

**REPLACEMENT PARTS:** Use only specified replacement parts available from your dealer. Do not use substitute parts.

# RAINBOW SERIES GLASS & TRACK INSTALLATION INSTRUCTIONS

**WARNING:**  
DO NOT PEEL PROTECTIVE  
COVER AT THIS TIME

## STEP 1

FIG. I

- Remove Parts A1 & A2 (top & bottom frame) from the packaging.
- Remove screen rail on Majestic models (R & RC series only) as indicated by Figure I).

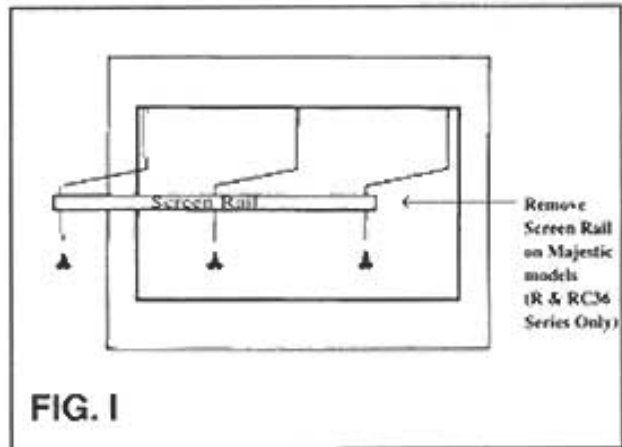


FIG. I

## STEP 2

FIG. II

- Align Part A1 (top frame) - *finished side facing out* to the top of the opening on the firebox. With a pencil mark holes to be drilled as indicated by Figure II.
- It may be necessary to remove screen retaining clips for proper door operation.
- Repeat this process for the lower frame, Part A2 (is track with agency label attached to the rear side).
- Center frames in the opening. (Fig.IIA)
- Using a drill 3/32" dill bit, pre-drill all 6 holes.

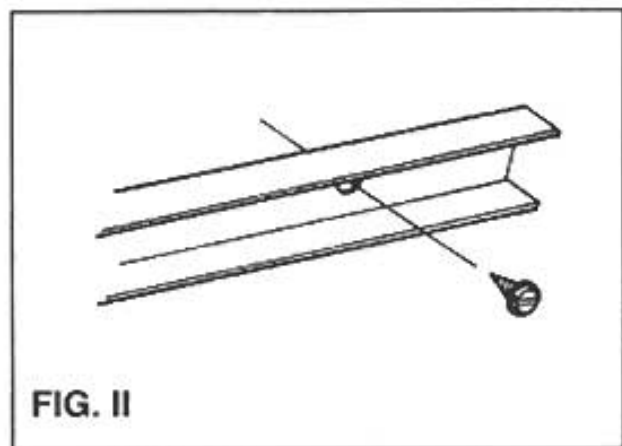


FIG. II

## READY TO INSTALL

## STEP 3

- Remove protective plastic from Part A1 and put into place. Insert Part B sheet metal screws using a #2 Phillips Head Screwdriver. Hinge Clips must be installed in the track on all four corners when attaching frame. See Figure IV.

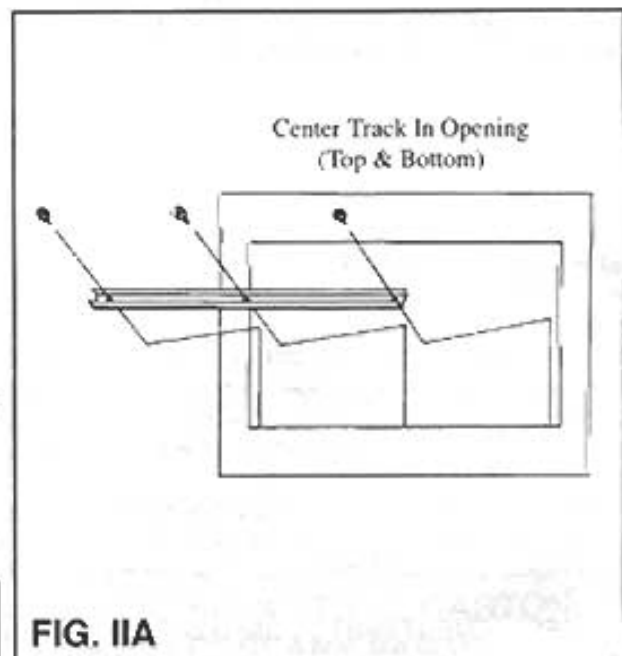


FIG. IIA

### TOOLS REQUIRED



- Drill
- 3/32" drill bit
- #2 Phillips head screwdriver

## STEP 4

- Repeat this process using Part A2 (bottom frame) and Part B (sheet metal screws).

## INSTALLING DOORS

Before installing doors make sure frame is square to fireplace opening.

## STEP 5

FIG. III

- Hold the right side folded glass door set Part C1, (handle at top), tilt enough to place bottom pins inside the bottom pivot hole.
- While folded place top pins in the top side door track, firmly and gently move to the right until the pin snaps into the top pivot hole.

## STEP 6

Repeat for the left side folded glass door set Part C2. (Figure III).

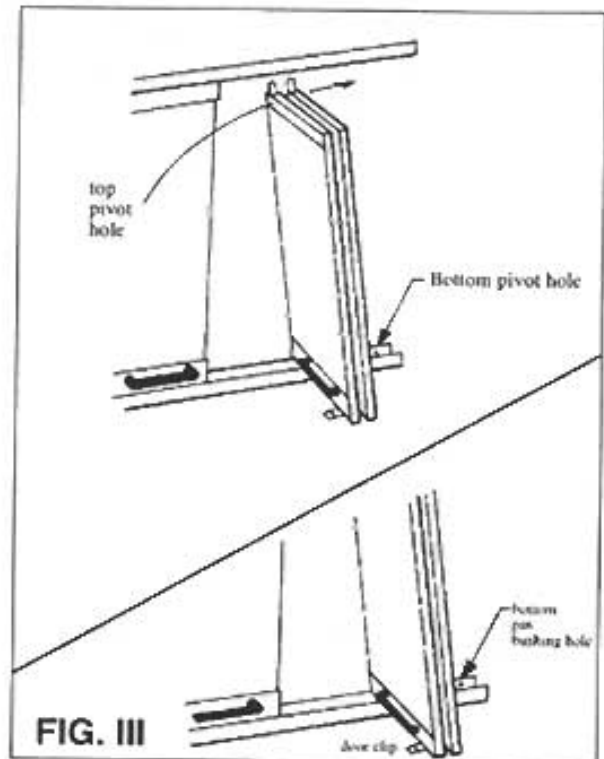


FIG. III

NOTE: On Rainbow Glass & Track Units, the handles must be at the top.

## ADJUSTING DOORS

FIG. III & IV

Doors are factory adjusted for fit and smooth operation.

Door clip may need adjustment to provide equal gap at top and bottom and to ensure door latches in closed position.

Misalignment can occur during shipment or handling. If this has happened to your enclosure, the doors may be re-adjusted by the following method:

- Slightly loosen the screws in the hinges located in the top and bottom corners of the door. **DO NOT REMOVE SCREWS.**
- With the doors closed, center the doors. Leave approximately 1/8" gap in the center where the two glass panels meet.
- Test each door by opening and closing a few times. Re-adjust as necessary. Fasten hinge screws firmly.

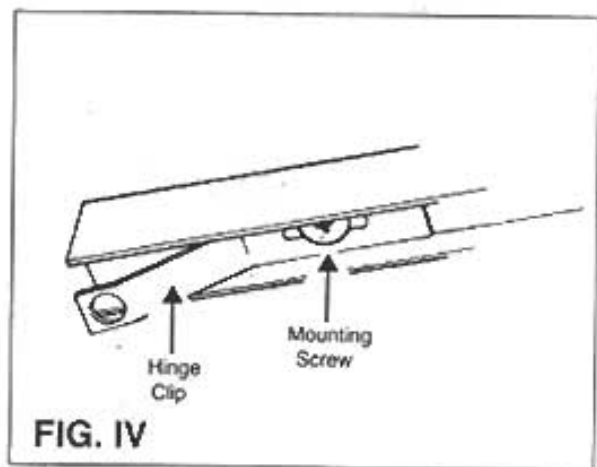


FIG. IV

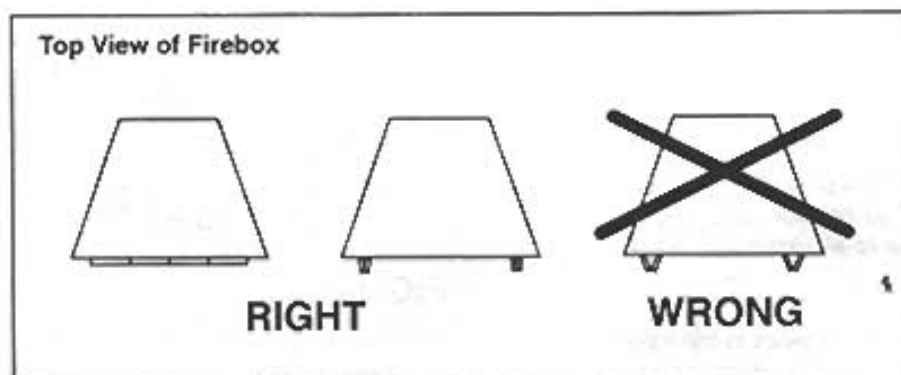
## OPERATING CAUTION & INSTRUCTIONS

The glass enclosure and the fireplace flue damper must both be in the fully open position before starting your fire. Do not close the doors on an excessively hot fire. The glass must be allowed to warm slowly. The tempered glass in the doors will withstand a gradual temperature rise to 550°F, which is more than a normal fire will create. Keep the fire well back from the doors and never let flames contact the glass. If your fire gets too large at any time, open both glass doors. This will quickly reduce the heat in the firebox. Push the logs or other fuel to the rear of the firebox and rearrange into a single layer.

## WARNING

**"RISK OF SMOKE AND FLAME SPILLAGE — OPERATE ONLY WITH DOORS FULLY OPEN OR DOORS FULLY CLOSED"**

**"When operating with the fireplace doors open, close the fireplace mesh curtain as to eliminate emission of hot embers from the fireplace".**



**WARNING WHEN USING GAS LOGS:**  
(When operating gas logs, close the fireplace mesh curtain, operate only with fireplace doors fully open.)

## **"SAVE THESE INSTRUCTIONS"**

Install and use only in accordance with the installation and operating instructions provided. Risk of smoke and flame spillage. Operate only doors fully open or fully closed. Inspect and clean chimney regularly. Under certain conditions of use, creosote buildup may occur rapidly.

### **ONE YEAR LIMITED WARRANTY**

This product is warranted by the manufacturer to the original retail buyer for one (1) year from date of purchase against defects in materials and workmanship. This includes any implied warranties of merchantability and fitness for a particular purpose which are also limited in duration to one (1) year from the original purchase of this product.

This warranty covers only parts, and applies only to products purchased for consumer use. This warranty does not apply to color changes in the finish resulting from contact with flames or burning embers and does not cover damages which occur in transit or result from alteration, accident, misuse, abuse, acid hearth, or improper installation. The manufacturer shall not be liable for consequential or indirect damages which are caused by defects in its repair and replacement.

If this product does not conform to this warranty contact your dealer. Proof of the original purchase will be required.

This warranty gives you specific legal rights and you may have other rights which vary from state to state.



**HEARTH CRAFT**

A Division of BottomLine Management, Inc.

1410 Johnson Lane  
Clarksville, IN 47129