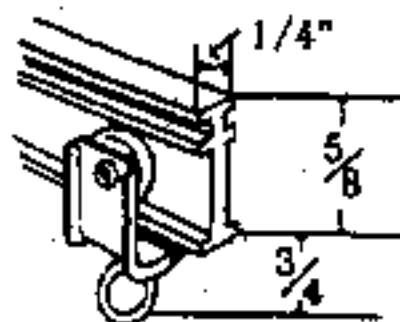


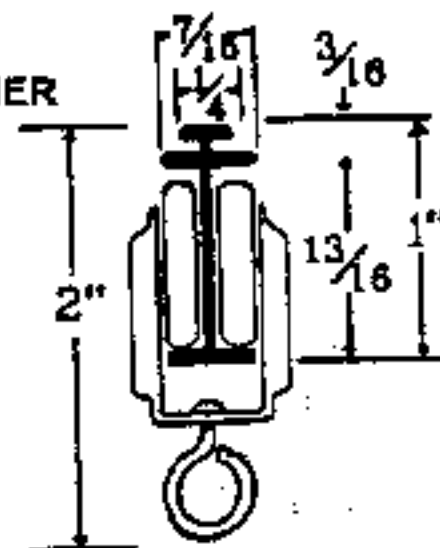
# HEAVY DUTY I-BEAM TRACK

- Natural Finish Aluminum Track.
- Total Hardware System includes:
  - Track, I-Beam nylon wheel carrier & self-pleating chain installed on fabric
  - Recommended for all heights of Steel or Aluminum Metal Drapery Mesh
  - Can be curved
  - Metal Drapery Mesh can cover I-Beam track or hang below I-Beam track

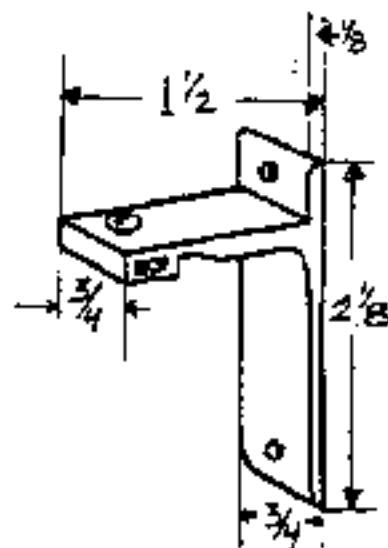
### I-BEAM TRACK



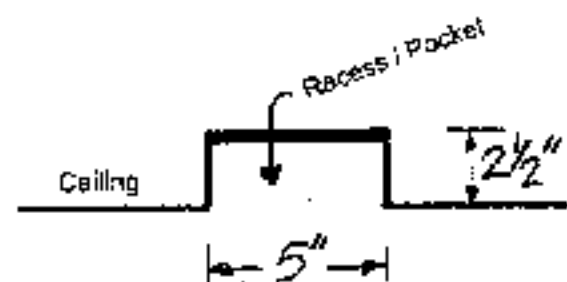
### NYLON WHEEL CARRIER



### WALL BRACKET



### RECESS/POCKET FOR TRACK (IF REQUIRED)



Minimum Requirements

### CEILING BRACKET

