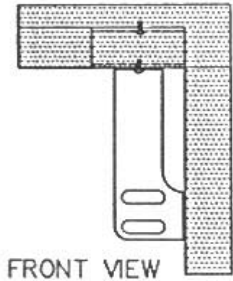
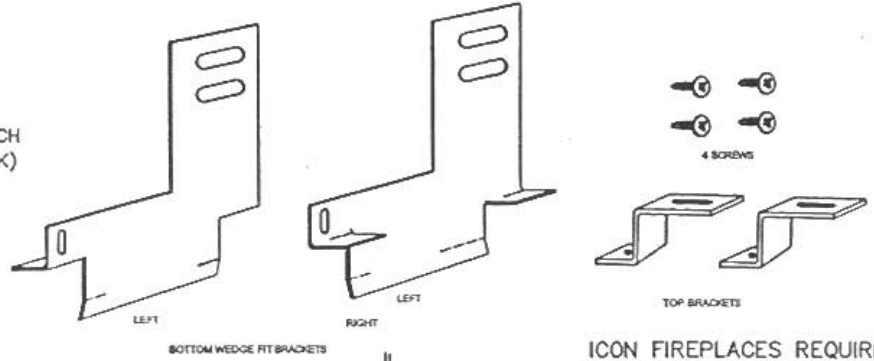


MOUNTING FOR MAJESTIC[®] SHR AND HEATALATOR[®] ICON SERIES FACTORY BUILT FIREPLACES

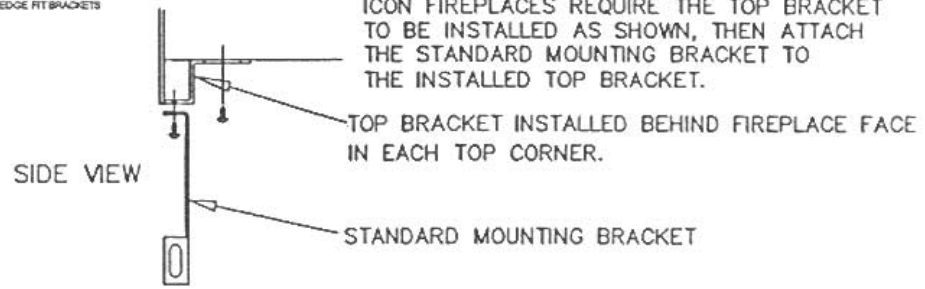
NOTE: NO MOUNTING PROVISIONS FOR FIREPLACE DOORS HAVE BEEN MADE FOR THESE FIREPLACES BY THE MANUFACTURER. FIREPLACE DOORS DESIGNED FOR THE SHR UNITS ONLY REQUIRE THE USE OF THE LARGE BOTTOM BRACKETS IN ADDITION TO THE STANDARD MOUNTING BRACKETS FOR THE TOP.

TOOLS NEEDED:

- PENCIL
- 1/8" DRILL
- PHILLIPS SCREWDRIVER
- PLIERS OR 11/32" WRENCH
(IF WINGNUTS DONT WORK)
- 3/32" ALLEN WRENCH
(FOR ADJUSTMENT)



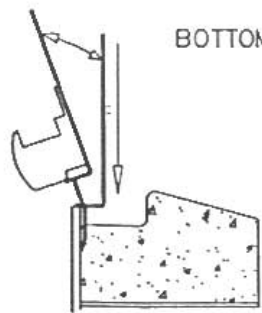
FRONT VIEW
TOP BRACKET



ICON FIREPLACES REQUIRE THE TOP BRACKET TO BE INSTALLED AS SHOWN, THEN ATTACH THE STANDARD MOUNTING BRACKET TO THE INSTALLED TOP BRACKET.

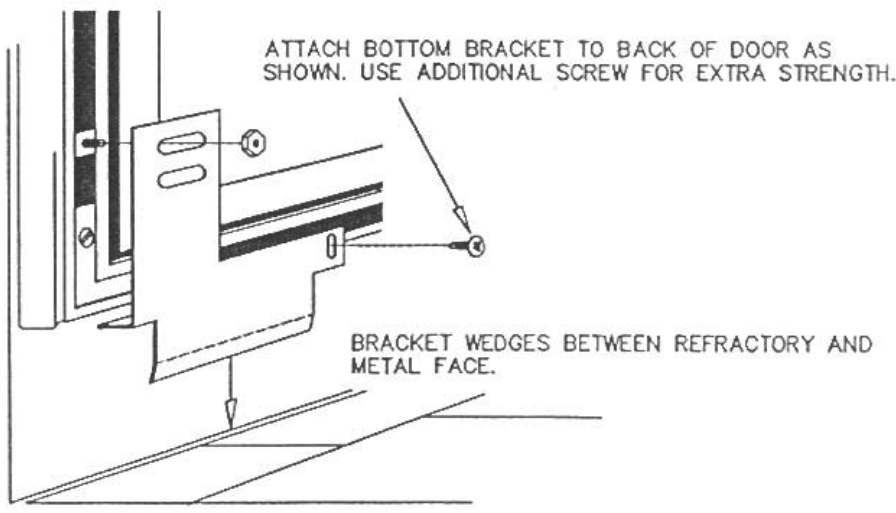
TOP BRACKET INSTALLED BEHIND FIREPLACE FACE IN EACH TOP CORNER.

STANDARD MOUNTING BRACKET



SIDE VIEW

BOTTOM BRACKET



ATTACH BOTTOM BRACKET TO BACK OF DOOR AS SHOWN. USE ADDITIONAL SCREW FOR EXTRA STRENGTH.

BRACKET WEDGES BETWEEN REFRACTORY AND METAL FACE.